

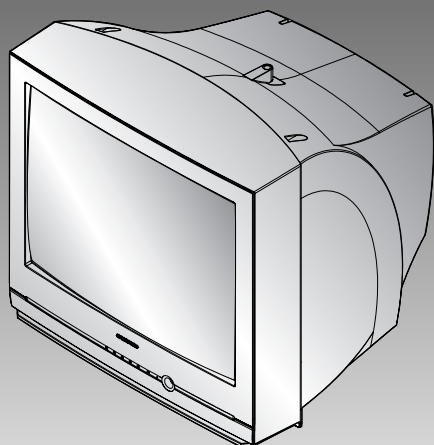
**SAMSUNG**

## **COLOR TELEVISION RECEIVER**

**Chassis :** KS1A(P)\_Rev.1  
**Model :** CB20F42TSXXEC    CB21F32TSXXEC  
                  CB21F32ZSXXEC    CB21F52TSXXEC  
                  CB21H12TSXXEC    CF21F32ZSXXEF  
                  CS20H42TSXBWT    CS20H42ZSXBWT  
                  CS20S12ZSXBWT    CS21F52TSXBWT  
                  CZ21F32TSXXEH    CZ21F32ZSXXEH  
                  CZ21H12TSXXEH

# ***SERVICE* Manual**

### **COLOR TELEVISION RECEIVER**



### **CONTENTS**

- 1. Precautions**
- 2. Specifications and IC Data**
- 3. Disassembly and Reassembly**
- 4. Alignment and Adjustment**
- 5. Troubleshooting**
- 6. Exploded View and Parts List**
- 7. Electrical Parts List**
- 8. Block Diagram**
- 9. Wiring Diagram**
- 10. Schematic Diagrams**

## 1. Precautions

Follow these safety, servicing and ESD precautions to prevent damage and protect against potential hazards such as electrical shock and X-rays.

### 1-1 Safety Precautions

1. Be sure that all of the built-in protective devices are replaced. Restore any missing protective shields.
2. When reinstalling the chassis and its assemblies, be sure to restore all protective devices, including: nonmetallic control knobs and compartment covers.
3. Make sure that there are no cabinet openings through which people—particularly children—might insert fingers and contact dangerous voltages. Such openings include the spacing between the picture tube and the cabinet mask, excessively wide cabinet ventilation slots, and improperly fitted back covers.

If the measured resistance is less than 1.0 megohm or greater than 5.2 megohms, an abnormality exists that must be corrected before the unit is returned to the customer.

4. Leakage Current Hot Check (Figure 1-1):  
Warning: Do not use an isolation transformer during this test. Use a leakage-current tester or a metering system that complies with American National Standards Institute (ANIS C101.1, Leakage Current for Appliances), and Underwriters Laboratories (UL Publication UL1410, 59.7).
5. With the unit completely reassembled, plug the AC line cord directly into the power outlet. With the unit's AC switch first in the ON position and then OFF, measure the current between a known earth ground (metal water pipe, conduit, etc.) and all exposed metal parts, including: antennas, handle brackets, metal cabinets, screwheads and control shafts. The current measured should not exceed 0.5 milliamp. Reverse the power-plug prongs in the AC outlet and repeat the test.

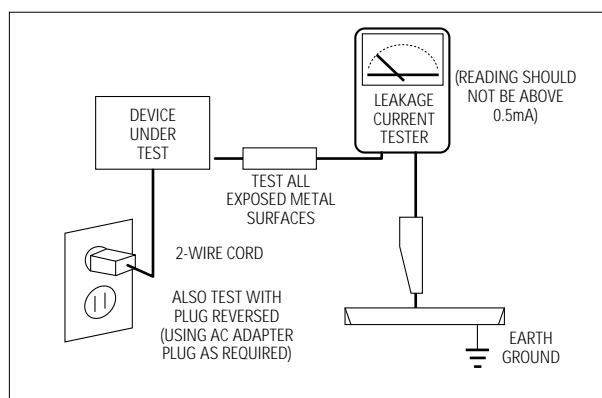


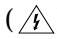
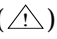
Fig. 1-1 AC Leakage Test

6. Antenna Cold Check:  
With the unit's AC plug disconnected from the AC source, connect an electrical jumper across the two AC prongs. Connect one lead of the ohmmeter to an AC prong. Connect the other lead to the coaxial connector.
7. X-ray Limits:  
The picture tube is especially designed to prohibit X-ray emissions. To ensure continued X-ray protection, replace the picture tube only with one that is the same type as the original. Carefully reinstall the picture tube shields and mounting hardware; these also provide X-ray protection.
8. High Voltage Limits:  
High voltage must be measured each time servicing is done on the B+, horizontal deflection or high voltage circuits. Correct operation of the X-ray protection circuits must be reconfirmed whenever they are serviced.  
(X-ray protection circuits also may be called "horizontal disable" or "hold-down".)

Heed the high voltage limits. These include the X-ray Protection Specifications Label, and the Product Safety and X-ray Warning Note on the service data schematic.

## 1-1 Safety Precautions (Continued)

---

9. High voltage is maintained within specified limits by close-tolerance, safety-related components and adjustments. If the high voltage exceeds the specified limits, check each of the special components.
10. Design Alteration Warning:  
Never alter or add to the mechanical or electrical design of this unit. Example: Do not add auxiliary audio or video connectors. Such alterations might create a safety hazard. Also, any design changes or additions will void the manufacturer's warranty.
11. Hot Chassis Warning:  
Some TV receiver chassis are electrically connected directly to one conductor of the AC power cord. If an isolation transformer is not used, these units may be safely serviced only if the AC power plug is inserted so that the chassis is connected to the ground side of the AC source.  
  
To confirm that the AC power plug is inserted correctly, do the following: Using an AC voltmeter, measure the voltage between the chassis and a known earth ground. If the reading is greater than 1.0V, remove the AC power plug, reverse its polarity and reinsert. Re-measure the voltage between the chassis and ground.
12. Some TV chassis are designed to operate with 85 volts AC between chassis and ground, regardless of the AC plug polarity. These units can be safely serviced only if an isolation transformer inserted between the receiver and the power source.
13. Some TV chassis have a secondary ground system in addition to the main chassis ground. This secondary ground system is not isolated from the AC power line. The two ground systems are electrically separated by insulating material that must not be defeated or altered.
14. Components, parts and wiring that appear to have overheated or that are otherwise damaged should be replaced with parts that meet the original specifications. Always determine the cause of damage or overheating, and correct any potential hazards.
15. Observe the original lead dress, especially near the following areas: Antenna wiring, sharp edges, and especially the AC and high voltage power supplies. Always inspect for pinched, out-of-place, or frayed wiring. Do not change the spacing between components and the printed circuit board. Check the AC power cord for damage. Make sure that leads and components do not touch thermally hot parts.
16. Picture Tube Implosion Warning:  
The picture tube in this receiver employs "integral implosion" protection. To ensure continued implosion protection, make sure that the replacement picture tube is the same as the original.
17. Do not remove, install or handle the picture tube without first putting on shatterproof goggles equipped with side shields. Never handle the picture tube by its neck. Some "in-line" picture tubes are equipped with a permanently attached deflection yoke; do not try to remove such "permanently attached" yokes from the picture tube.
18. Product Safety Notice:  
Some electrical and mechanical parts have special safety-related characteristics which might not be obvious from visual inspection. These safety features and the protection they give might be lost if the replacement component differs from the original—even if the replacement is rated for higher voltage, wattage, etc.  
  
Components that are critical for safety are indicated in the circuit diagram by shading, () or ().  
Use replacement components that have the same ratings, especially for flame resistance and dielectric strength specifications. A replacement part that does not have the same safety characteristics as the original might create shock, fire or other hazards.

## 1-2 Servicing Precautions

---

Warning1: First read the "Safety Precautions" section of this manual. If some unforeseen circumstance creates a conflict between the servicing and safety precautions, always follow the safety precautions.

Warning2: An electrolytic capacitor installed with the wrong polarity might explode.

1. Servicing precautions are printed on the cabinet. Follow them.
2. Always unplug the unit's AC power cord from the AC power source before attempting to: (a) Remove or reinstall any component or assembly, (b) Disconnect an electrical plug or connector, (c) Connect a test component in parallel with an electrolytic capacitor.
3. Some components are raised above the printed circuit board for safety. An insulation tube or tape is sometimes used. The internal wiring is sometimes clamped to prevent contact with thermally hot components. Reinstall all such elements to their original position.
4. After servicing, always check that the screws, components and wiring have been correctly reinstalled. Make sure that the portion around the serviced part has not been damaged.
5. Check the insulation between the blades of the AC plug and accessible conductive parts (examples: metal panels, input terminals and earphone jacks).
6. Insulation Checking Procedure: Disconnect the power cord from the AC source and turn the power switch ON. Connect an insulation resistance meter (500V) to the blades of the AC plug.  
  
The insulation resistance between each blade of the AC plug and accessible conductive parts (see above) should be greater than 1 megohm.
7. Never defeat any of the B+ voltage interlocks. Do not apply AC power to the unit (or any of its assemblies) unless all solid-state heat sinks are correctly installed.
8. Always connect a test instrument's ground lead to the instrument chassis ground before connecting the positive lead; always remove the instrument's ground lead last.

## 1-3 Precautions for Electrostatically Sensitive Devices (ESDs)

---

1. Some semiconductor (“solid state”) devices are easily damaged by static electricity. Such components are called Electrostatically Sensitive Devices (ESDs); examples include integrated circuits and some field-effect transistors. The following techniques will reduce the occurrence of component damage caused by static electricity.
2. Immediately before handling any semiconductor components or assemblies, drain the electrostatic charge from your body by touching a known earth ground. Alternatively, wear a discharging wrist-strap device. (Be sure to remove it prior to applying power—this is an electric shock precaution.)
3. After removing an ESD-equipped assembly, place it on a conductive surface such as aluminum foil to prevent accumulation of electrostatic charge.
4. Do not use freon-propelled chemicals. These can generate electrical charges that damage ESDs.
5. Use only a grounded-tip soldering iron when soldering or unsoldering ESDs.
6. Use only an anti-static solder removal device. Many solder removal devices are not rated as “anti-static”; these can accumulate sufficient electrical charge to damage ESDs.
7. Do not remove a replacement ESD from its protective package until you are ready to install it. Most replacement ESDs are packaged with leads that are electrically shorted together by conductive foam, aluminum foil or other conductive materials.
8. Immediately before removing the protective material from the leads of a replacement ESD, touch the protective material to the chassis or circuit assembly into which the device will be installed.
9. Minimize body motions when handling unpackaged replacement ESDs. Motions such as brushing clothes together, or lifting a foot from a carpeted floor can generate enough static electricity to damage an ESD.

## 2. Specifications and IC Data

### 2-1 Specifications

Television System:

MODEL	SYSTEM
CI	PAL-I (UHF)
CII	PAL-I (VHF/UHF)
CX	PAL-B/G, SECAM-B/G
CK	PAL-B/G, D/K, SECAM-B/G, D/K
CW	PAL-B/G, D/K, SECAM-B/G, D/K, NT 4.43
CS	PAL-B/G, D/K, SECAM-B/G, D/K, NT4.43, NT3.58

Channels:

System Band	PAL/SECAM-B/G,I	PAL, SECAM- D/K	SECAM-K1, PAL-D	NTSC - M
VHF	2 - 12	1 - 13	2 - 9	2 - 13
UHF	21 - 69	21 - 69	13 - 57	14-69

Intermediate Frequencies (MHz) :

SYSTEM IF Carrier Frequency	PAL/ SECAM- B/G	PAL/SECAM-D/K, SECAM-K1	PAL - I	NTSC - M
Picture IF Carrier	38.90	38.90	38.90	38.90
Sound IF Carrier	33.40	32.40	32.90	34.40
Color Sub Carrier	34.47	34.47	34.47	35.32

Picture Tube:

14 Inch	A34KQV42X	Quick start, in-line-gun, Black stripe, 90°degree deflection
20 Inch	A48KRD82X(H)	
21 Inch	A51KQJ63X	

Power Requirements:

AC 100-240V, 50/60Hz

Antenna Input Impedance:

VHF, UHF : Telescopic dipole antenna (75 ohm unbalanced type )

Speaker Impedance

8 ohm, 5W+5W (Dual Type)  
16 ohm, 3W (Monitor Type & Dual Type)

## 2-2 IC Line Up

---

Table 2-1 IC Line-Up			
Loc. No	Specification	Description	Remark
HC101	PAP103	IF PRE-AMP	
IC201S	SPM802ER	TTX, English/Croatian/Romanian/Hungarian/Polish/Czech/ Bulgarian/Russian/Portugal	Philips
	SPM802ERN	W/O TTX, English/Croatian/Romanian/Hungarian/Polish/Czech/ Bulgarian/Russian/Portugal	
IC301	LA7840	VERTICAL OUTPUT	Sanyo
IC501	TDA6107Q	RGB DRIVE AMP	Philips
IC601	TDA7266S	SOUND-AMP (3W x 1CH or 3W x 2CH or 5W x 2CH)	
IC801S	KA5Q0765R	POWER IC (STR)	
IC802	KA7632	CUSTOM REGULATOR (5V, 8V, 3.3V)	
IC902	24C08/KS28C040	EEPROM	
PC801S	TCET1108 / LTV817B	PHOTO COUPLER	
IC101	U4468B	SIF - IC	TEMIC

## 2-3 Semiconductor Base Diagrams

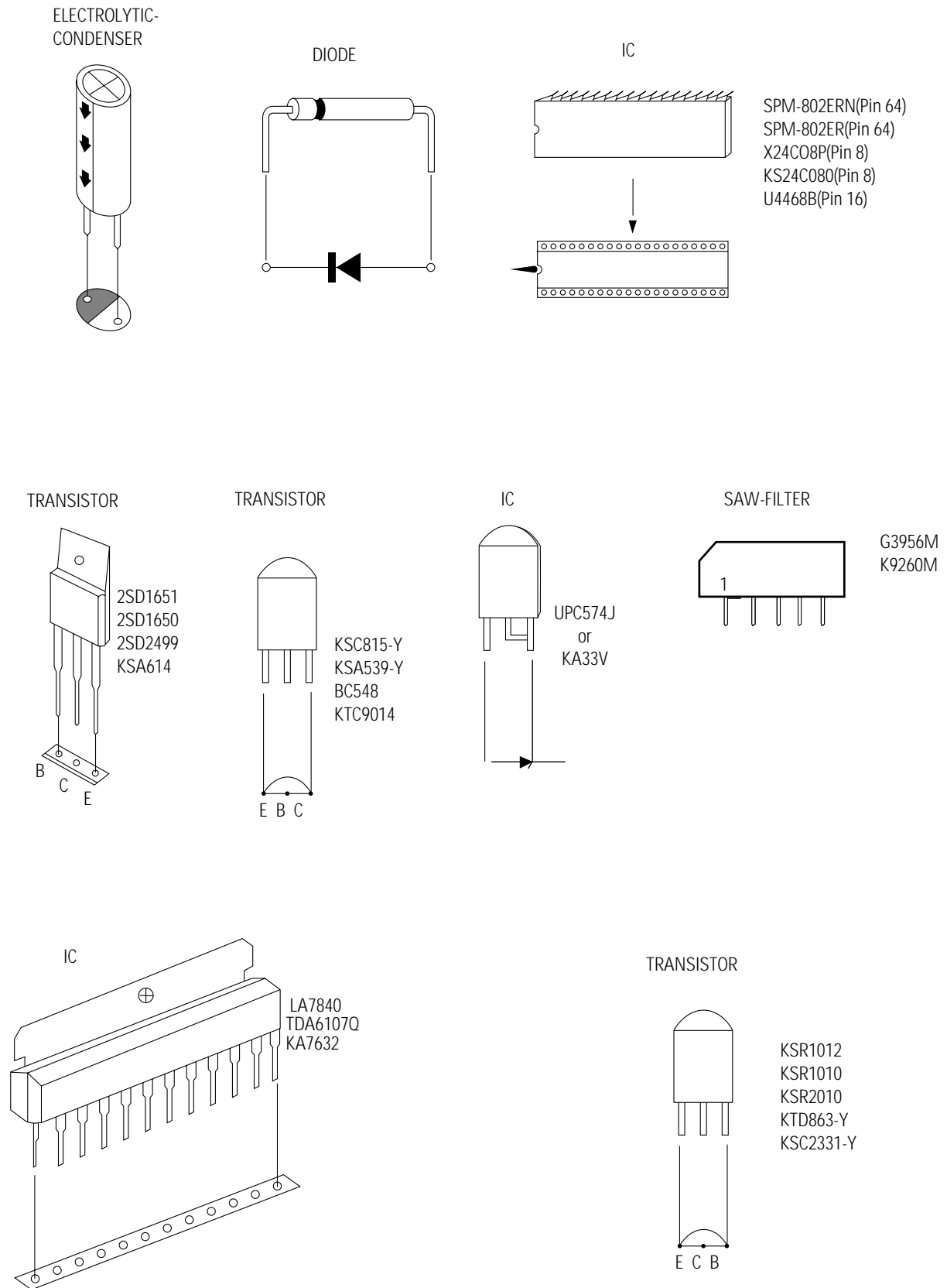


Fig. 2-1 Semiconductor Base Diagrams



# MEMO

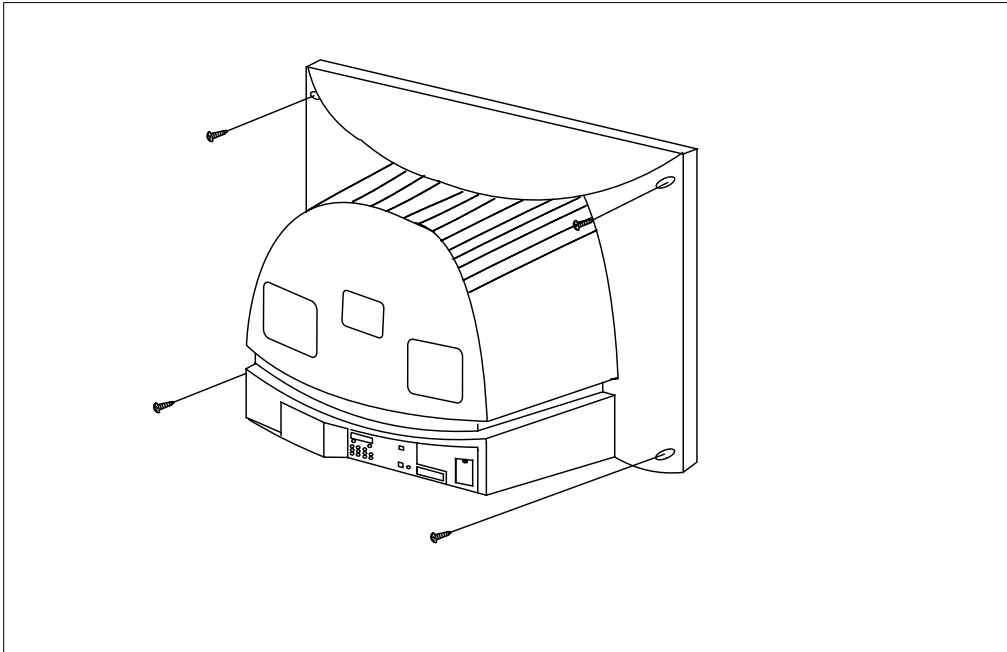
---

## 3. Disassembly and Reassembly

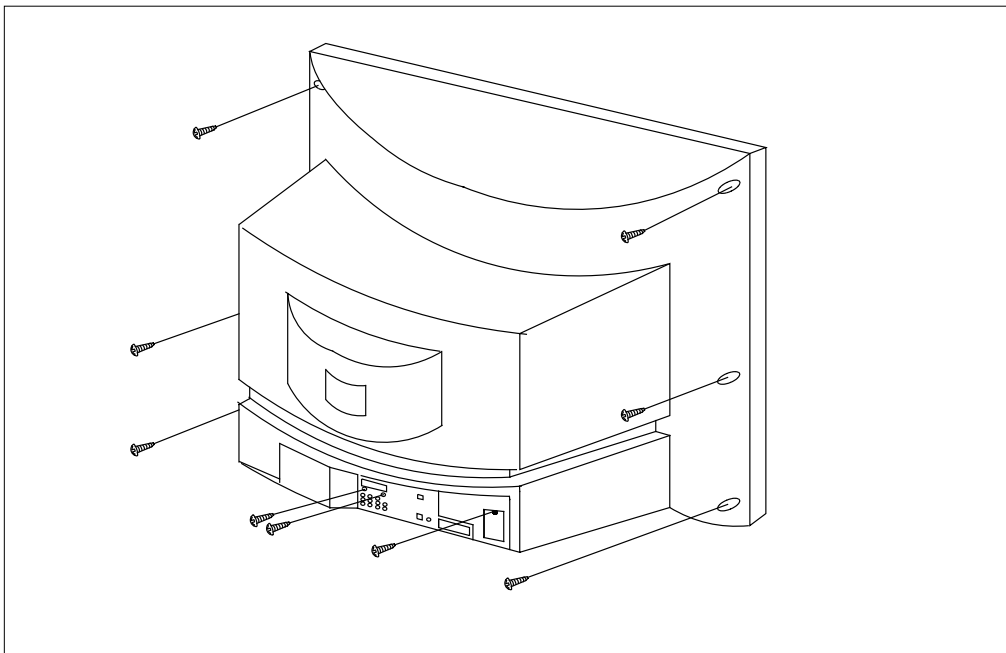
---

### 3-1 Back Cover Removal

---

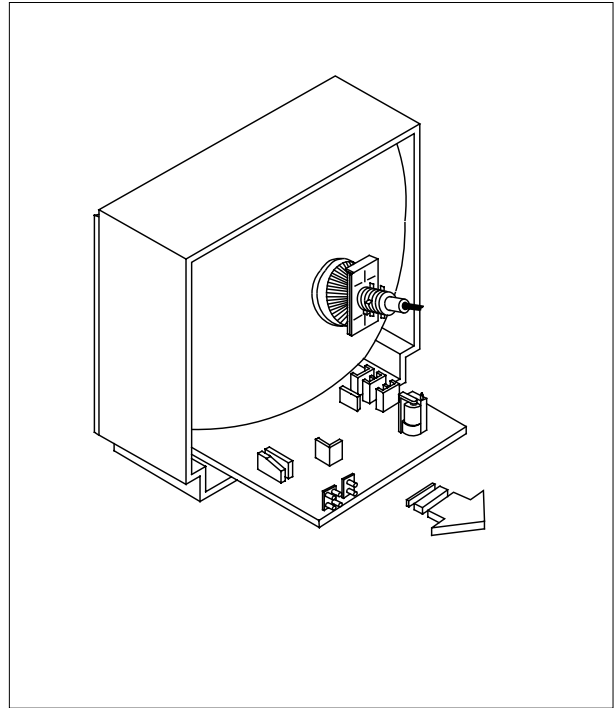
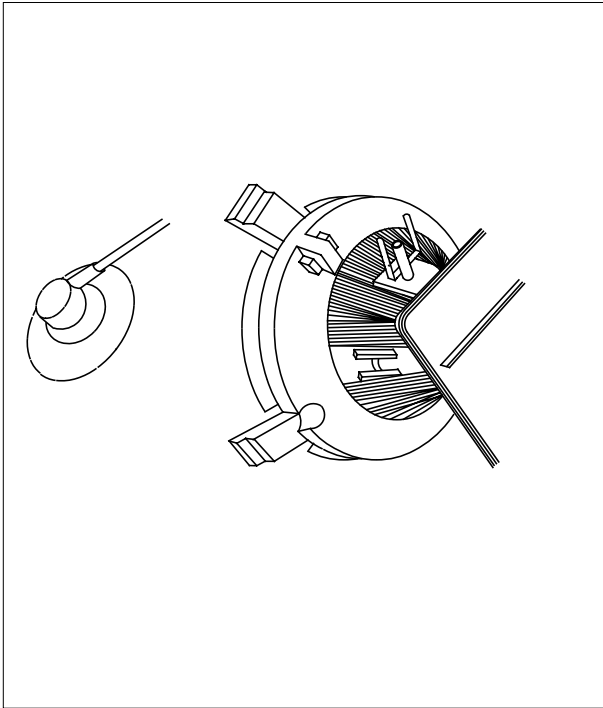


1. After removing the screws, press the tension rib and pull the cabinet backwards.
2. To reassemble, press the tension rib (see diagram).



## 3-2 Main Board Removal

---

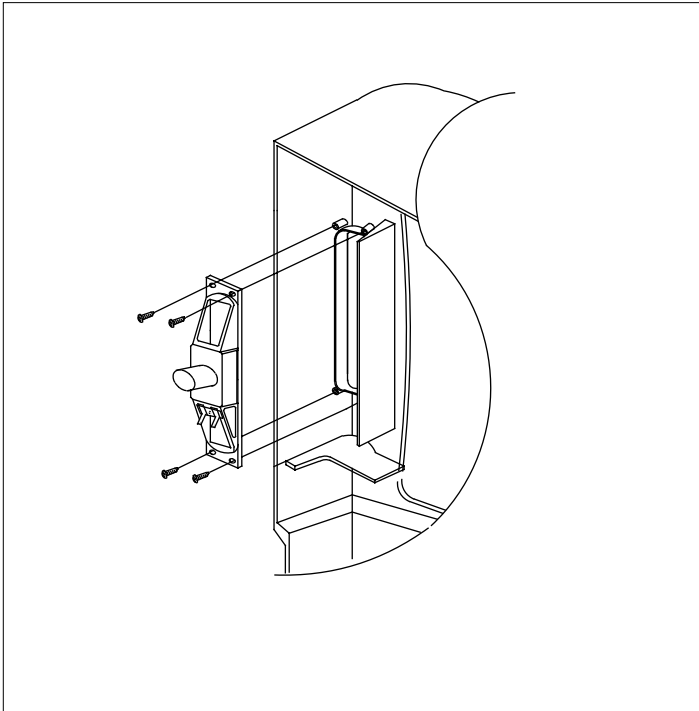


1. Separate the socket board from the CRT neck.
2. Remove the Anode Cap from the CRT.
3. Remove the main board by pulling it with both hands.

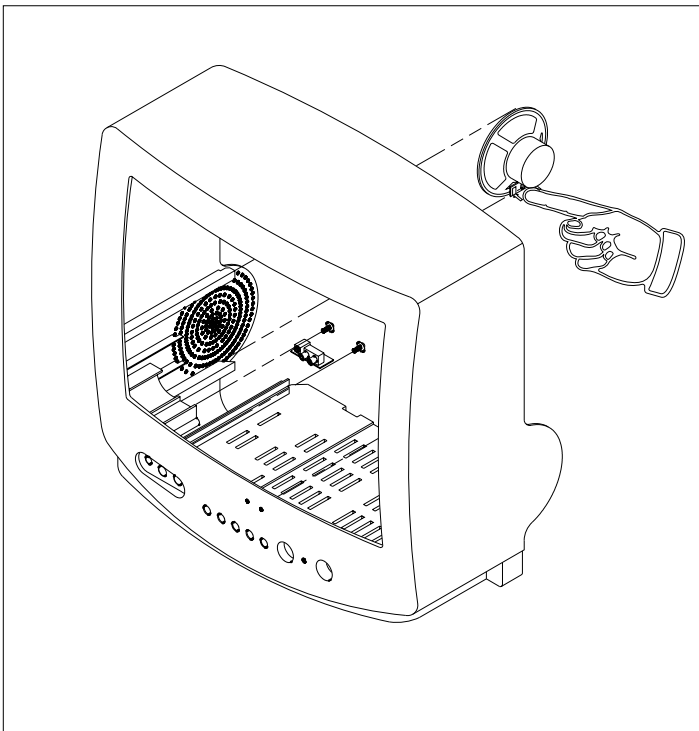
**Warning:** The FBT is charged with high voltage. Before removing the Anode Cap, discharge the voltage through one of the heat sinks on the main board.

### 3-3 Speaker Removal

---



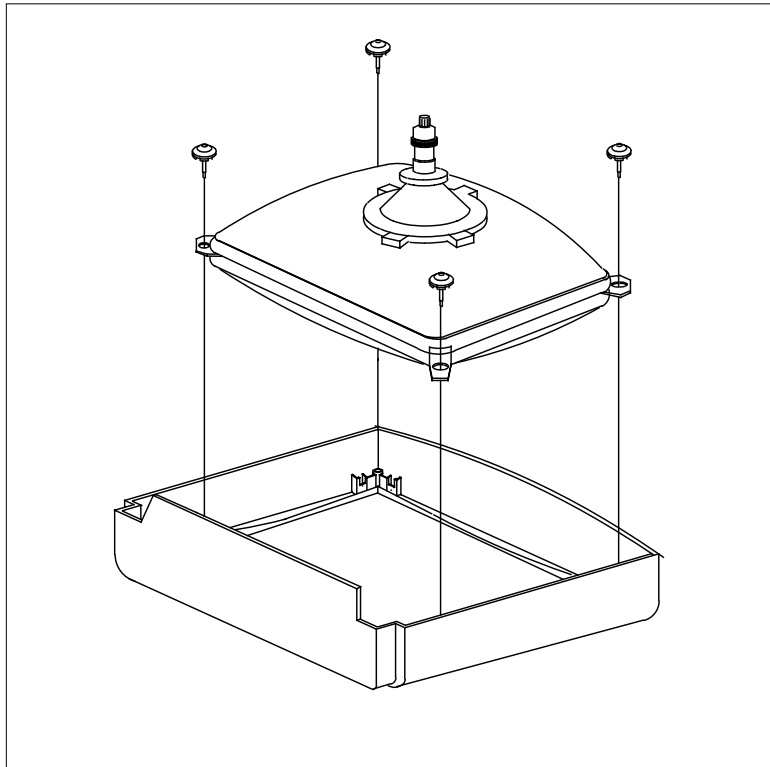
1. Remove the speaker by pressing the tension rib.



1. Remove the screws.
2. Remove the speaker by pressing the tension rib.

### 3-4 CRT Removal

---



1. Spread a soft mat on the floor. Place the TV set face down.
2. Remove the 4 nuts mounting the CRT to the front cabinet. Lift the CRT.
3. **Caution:** Because of the high vacuum and large surface area of the picture tube, be careful while handling it: (1) Always lift the picture tube by grasping it firmly around the faceplate, (2) Never lift the tube by its neck. (3) Do not scratch the picture tube or apply excessive pressure. Fractures of the glass may cause an implosion.

## 4. Alignment and Adjustments

### 4-1 Preadjustment

#### 4-1-1 Factory Mode

1. Do not attempt these adjustments in the Video Mode.
2. The Factory Mode adjustments are necessary when either the EEPROM (IC902) or the CRT is replaced.
3. Do not tamper with the "Adjustment" screen of the Factory Mode menu. This screen is intended only for factory use.

#### 4-1-2 When EEPROM (IC902) Is Replaced

1. When IC902 is replaced all adjustment data revert to initial values. It is necessary to re-program this data.
2. After IC902 is replaced, warm up the TV for 10 seconds.

#### 4-1-3 When CRT Is Replaced

1. Make the following adjustments AFTER setting up after setting up purity and convergence :

White Balance  
 Sub-Brightness  
 Vertical Center  
 Vertical Size  
 Horizontal Size  
 Fail Safe (This adjustment must be the last step).

2. If the EEPROM or CRT is replaced, set PVA to 40 (factory mode) and set SC as follows.

14 inch : 0  
 20 inch : 9  
 21 inch : 9

### 4-2 Factory/Service Mode

#### 4-2-1 Procedure for the "Adjustment" Mode

1. This mode uses the standard remote control. The Service Mode is activated by entering the following remote-control sequence :
  - (1) DISPLAY→FACTORY.
  - (2) STAND-BY→ DISPLAY→ MENU→ MUTE →POWER ON.
2. The "SERVICE (FACTORY)" message will be displayed. The Service Mode has four components: ADJUST, OPTION and Reset.
3. Access the Adjustment Mode by pressing the "VOLUME" keys ( Up or Down). The adjustment parameters are listed in the accompanying table, and selected by pressing the CHANNEL keys (▲ ,▼).

4. Selection sequences for the all system:

DOWN or UP key:  
 SCT>SBT>BLR>BLB>RG>GG>BG>VSL>  
 VS>VA>HS>SC>SDL>STT>SSP>PDL>  
 NDL>PSR>NSR>AGC>VOL>LCO>TXP

5. The VOLUME keys increase or decrease the adjustment values (stored in the non-volatile memory) when Adjustment Mode is cancelled.
6. Cancel the Adjustment Mode by re-pressing the "FACTORY" or "Power OFF" keys.

**4-2-2 Main Adjustment Parameter**

OSD	FUNCTION	RANGE	INITIAL DATA	REMARK
SCT	Sub Contrast	0 ~ 23	13	
SBT	Sub Brightness	0 ~ 23	9	
BLR	Black Level offset Blue	0 ~ 15	9	
BLB	Black Level offset Red	0 ~ 15	7	
RG	Red Gain	0 ~ 63	32	
GG	Green Gain	0 ~ 63	25(Fix)	
BG	Blue Gain	0 ~ 63	31	
VSL	Vertical Slope	0 ~ 63	19	
VS	Vertical Shift	0 ~ 63	38	
VA	Vertical Amplitude	0 ~ 63	40(Fix)	
HS	Horizontal Shift	0 ~ 63	30	
SC	S-Correction	0 ~ 63	9	
CDL	Cathode Drive Level	0 ~ 15	9	
STT	Sub Tint	0 ~ 7	3	
SSP	Sub Sharpness	0 ~ 7	0	
PDL	PAL Delay	0 ~ 15	15(Fix)	
NDL	NTSC Delay	0 ~ 15	10	
PSR	PAL Sub color	0 ~ 23	2	
NSR	NTSC Sub color	0 ~ 23	5	
AGC	Automatic Gain Control	0 ~ 63	23	
VOL	Volume pre setting	0 ~ 63	10	
LCO	SECAM-L Vision IF	0 ~ 1	0	
TXP	TTX Position	0 ~ 15	9	

NOTE : PVS,PVA, PHS, parameters must be aligned using the 50Hz vertical-field rates.

### 4-2-3 Option Bytes

In the Service Mode, various can be selected via the Option Table. Example:

Option Table : xx xx xx xx

1	LNA	ON
2	SYSTEM	CZ
3	AUDIO	MONO
4	JACK	RCA
5	ZOOM	NOR/ZOOM/16:9
6	AUTO POWER	ON
7	SBL	OFF
8	2nd SIF	ON
9	HOTEL MODE	OFF
10	BKS	ON



#### 4-2-4 RESET

The Reset Mode is used during factory inspection.  
Function Reset:

1. Picture	Custom
2. Auto Volume	Off
3. Color System	Auto (option)
4. Sound System	D/K (option)
5. Blue Screen	Off
6. Low Noise AMP	Off (option)
7. Volume	10
8. CH. Skip	Erased
9. CH. Lock	Off
10. Timer	Off

### 4-3 Other Adjustments

---

#### 4-3-1 General

1. Usually, a color TV needs only slight touch-up adjustment upon installation. Check the basic characteristics such as height, horizontal and vertical sync and focus.
2. The picture should have good black and white details. There should be no objectionable color shading; if color shading is present, perform the purity and convergence adjustments described below.
3. Use the specified test equipment or its equivalent.
4. Correct impedance matching is essential.
5. Avoid overload. Excessive signal from a sweep generator might overload the front-end of the TV. When inserting signal markers, do not allow the marker generator to distort test results.
6. Connect the TV only to an AC power source with voltage and frequency as specified on the backcover nameplate.
7. Do not attempt to connect or disconnect any wires while the TV is turned on. Make sure that the power cord is disconnected before replacing any parts.
8. To protect against shock hazard, use an isolation transformer.

#### 4-3-2 Automatic Degaussing

A degaussing coil is mounted around the picture tube, so that external degaussing after moving the TV should be unnecessary. But the receiver must be properly degaussed upon installation.

The degaussing coil operates for about 1 second after the power is switched ON. If the set has been moved or turned in a different direction, disconnect its AC power for at least 30 minutes.

If the chassis or parts of the cabinet become magnetized, poor color purity will result. If this happens, use an external degaussing coil. Slowly move the degaussing coil around the faceplate of the picture tube and the sides and front of the receiver. Slowly withdraw the coil to a distance of about 6 feet before removing power.

### 4-3-3 High Voltage Check

CAUTION: There is no high voltage adjustment on this chassis. The B+ power supply must be set to +125 volts (Full color bar input and normal picture level).

1. Connect a digital voltmeter to the second anode of the picture tube.
2. Turn on the TV. Set the Brightness and Contrast controls to minimum (zero beam current).
3. The high voltage should not exceed 27.5KV.
4. Adjust the Brightness and contrast controls to both extremes. Ensure that the high voltage does not exceed 27.5KV under any conditions.

### 4-3-4 FOCUS Adjustment

1. Input a black and white signal.
2. Adjust the tuning control for the clearest picture.
3. Adjust the FOCUS control for well defined scanning lines in the center area of the screen.

### 4-3-5 Cathode Voltage Adjustment (Screen Adjustment)

1. Connect CRT socket pin GK to an oscilloscope probe.
2. Input a gray scale pattern. (Use a pattern generator, PM5518)
3. Use the P mode key (on the remote control) for the STANDARD picture.
4. Adjust the Screen VR (on the FBT) so that the voltage on the oscilloscope becomes  $120 \pm 2.5V$  (See Fig. 4-1).

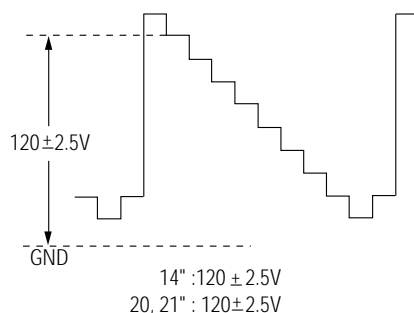


Fig. 4-1

### 4-3-6 Purity Adjustment

1. Warm up the receiver for at least 20 minutes.
2. Plug in the CRT deflection yoke and tighten the clamp screw.
3. Plug the convergence yoke into the CRT and set in as shown in Fig. 4-2.
4. Input a black and white signal.
5. Fully demagnetize the receiver by applying an external degaussing coil.
6. Turn the CONTRAST and BRIGHTNESS controls to maximum.
7. Loosen the clamp screw holding the yoke. Slide the yoke backward or forward to provide vertical green belt. (Fig. 4-3).
8. Tighten the convergence yoke.
9. Slowly move the deflection yoke forward, and adjust for the best overall green screen.
10. Temporarily tighten the deflection yoke.
11. Produce blue and red rasters by adjusting the low-light controls. Check for good purity in each field.
12. Tighten the deflection yoke.

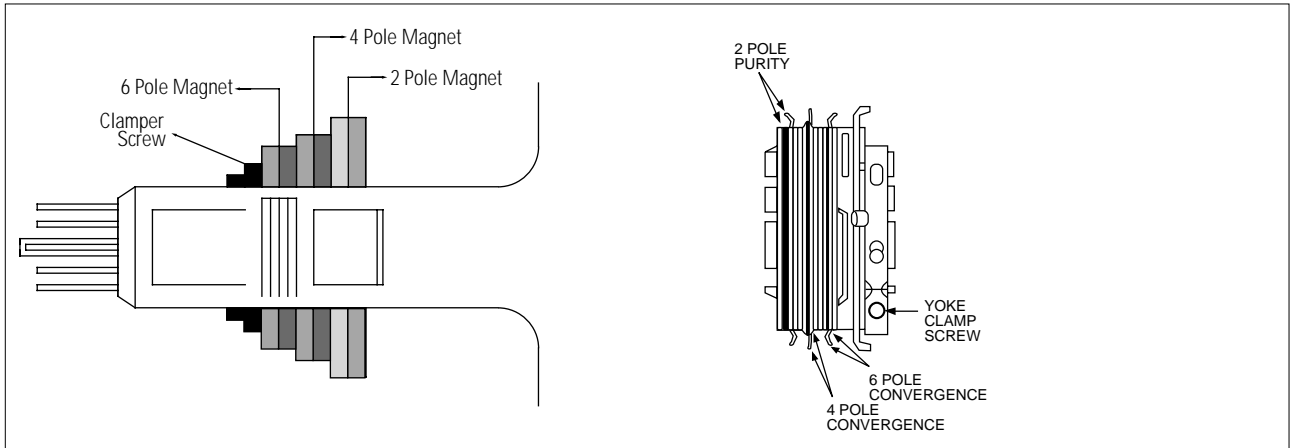


Fig. 4-2 Convergence Magnet Assembly

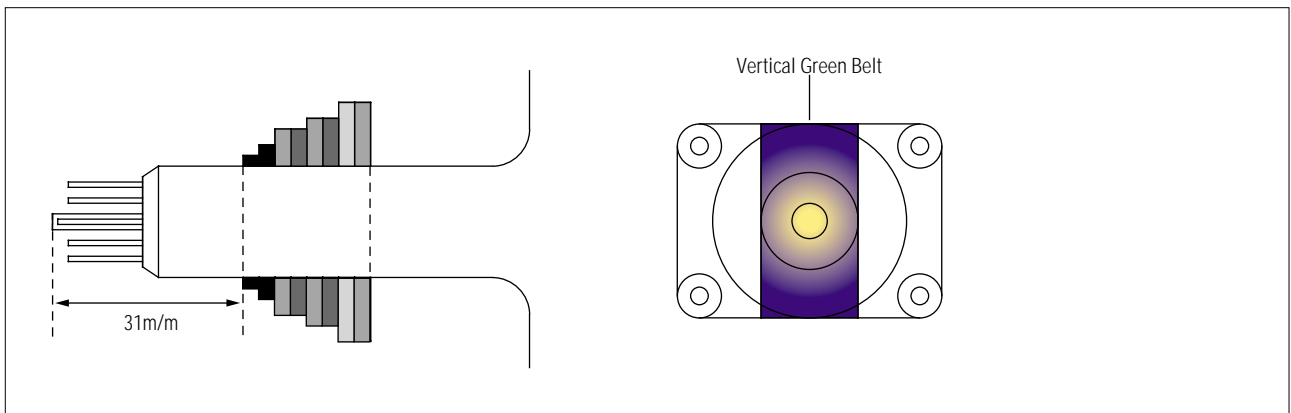


Fig. 4-3 Center Convergence Adjustment

### 4-3-7 White Balance Adjustment

#### (a) Set up

1. Warm up the TV for at least 30 minutes in the Aging Mode (OSD White). This mode is displayed by entering the following sequence:

DISPLAY →FACTORY → FACTORY

2. Input a Toshiba pattern.

#### (b) Low-Light Adjustment

1. Set SBT to  $3.5 \pm 0.5$  fL in the Factory Service Mode with using CA100. See Fig. 4-4 ②.
2. Adjust RG,BG so that the levels are suitable to each local area.

#### (c) High-Light Adjustment

1. Set SCT to 55 FL (20". 21"), 65 FL(14") in the Factory Service Mode with using CA100. See Fig. 4-4 ①.

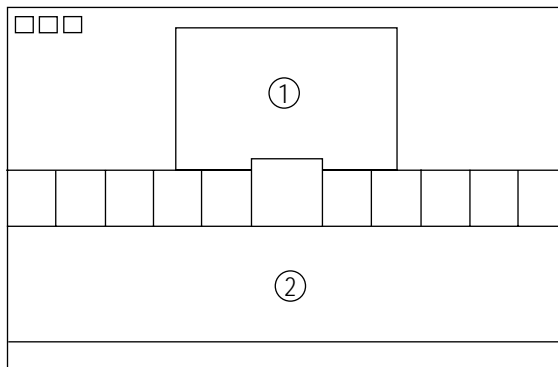


Fig. 4-4

### 4-3-8 Center Convergence Adjustment

1. Warm up the receiver for at least 20 minutes.
2. Adjust the two tabs of the 4 pole magnets to change the angle between them. Superimpose the red and blue vertical lines in the center area of the screen.
3. Adjust the Brightness and Contrast controls for a well defined picture.
4. Adjust the two-tab pairs of the 4 pole magnets, and change the angle between them. Superimpose the red and the blue vertical lines in the center area of the screen.
5. Turn the both tabs at the same time, keeping the angle constant, and superimpose the red and blue horizontal line in the center of the screen.
6. Adjust the two-tab pairs of the 6-pole magnets to superimpose the red and blue line onto the green. (Changing the angle affects the vertical lines, and rotating both magnets affects the horizontal lines.)
7. Repeat adjustments 2~6, if necessary.
8. Since the 4-pole magnets and 6-pole magnets interact, the dot movement is complex (Fig. 4-5).



Fig. 4-5 Center Convergence Adjustment

### 4-3-9 RF AGC Adjustment

Set the AGC data to 23 (Factory Mode).

### 4-3-10 Sub-Color Adjustment

Set  $\frac{\text{PSR}}{\text{NSR}}$  data to  $\frac{2}{5}$  (Factory Mode).

### 4-3-11 Geometry Adjustment

SC → VS → VSL → HS

1. Input a lion head pattern (in the PAL channel).
2. Set the SC (S-Correction) as follows : 9 (21"), 9 (20"), 0 (14") and VA 40 so that the lion head circle becomes oval.
3. Adjust with VSL (Vertical-Slope) so that the bottom margin of the picture is 4.

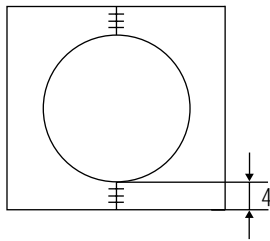


Fig. 4-7

4. Adjust with VS (Vertical shift) so that the top margin of the picture is 4.

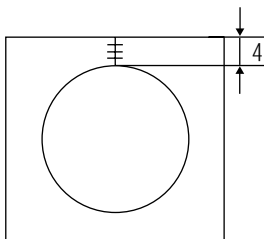


Fig. 4-8

5. Adjust with HS (Horizontal Shift) so that the lion-head pattern and CRT centers are aligned.

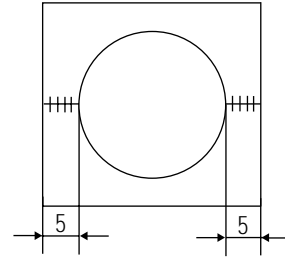
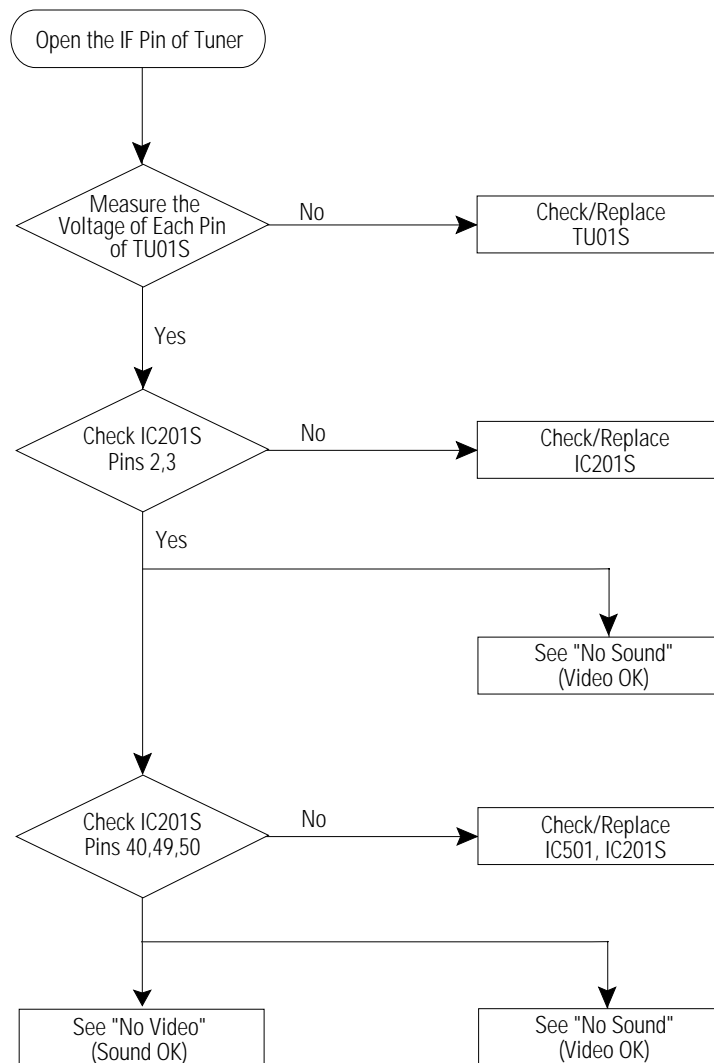


Fig. 4-9

6. Adjust HS (using the width coil) so that the left and right margins of the picture are 5.

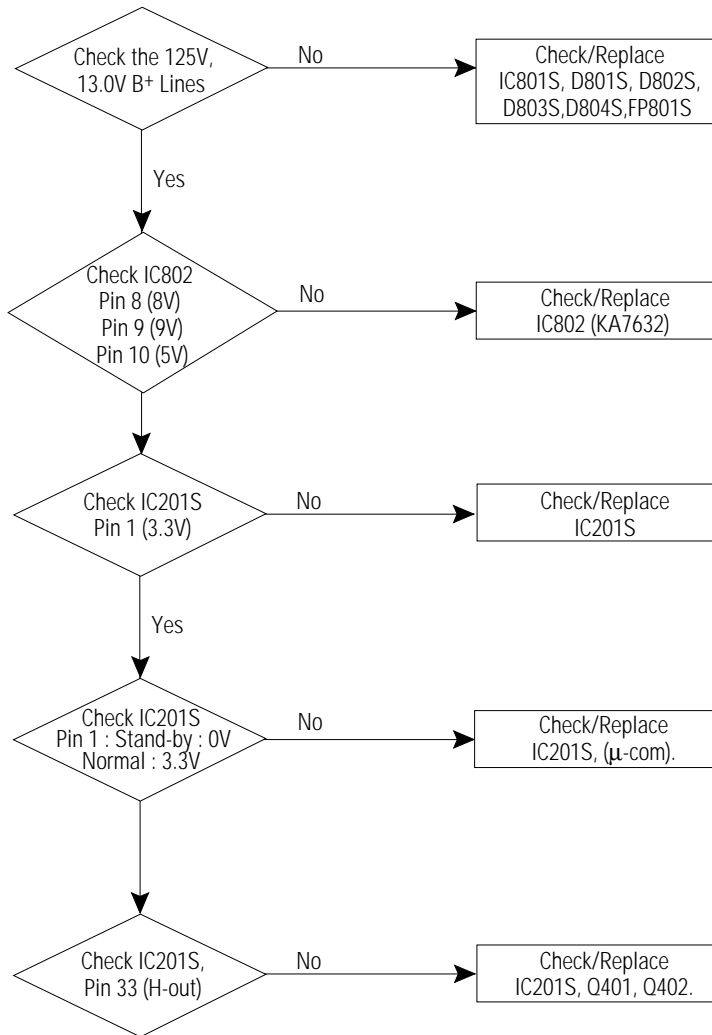
## 5. Troubleshooting

### 5-1 No Video (Raster On, No Sound)



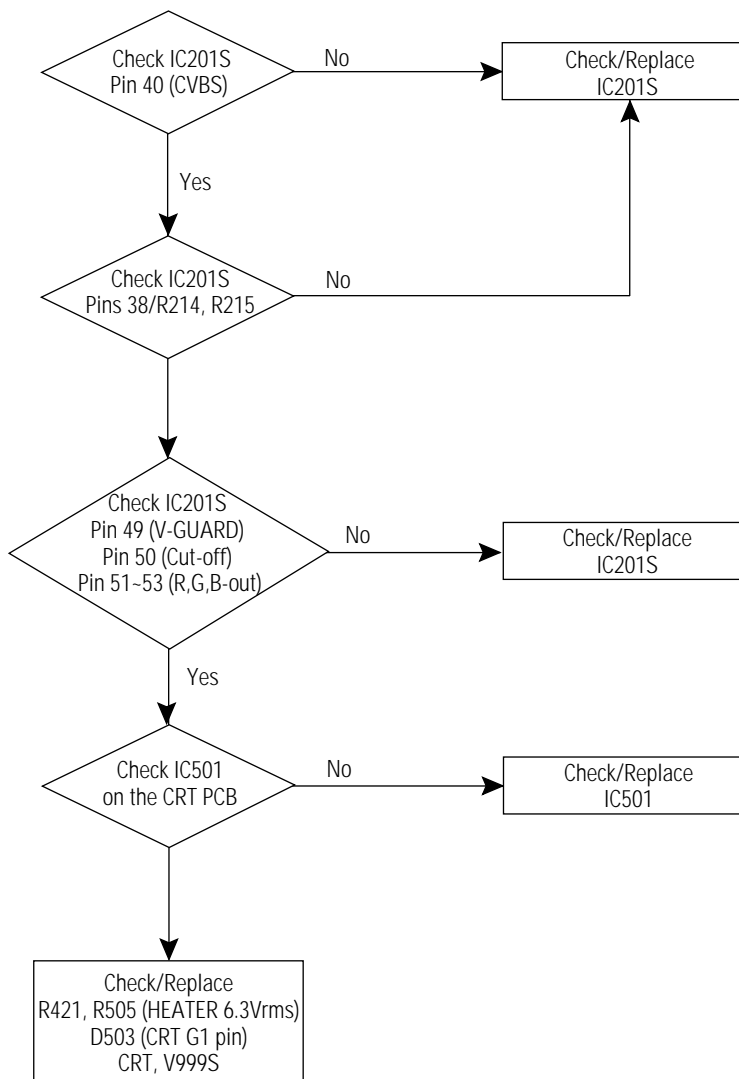
## 5-2 No Power

---



### 5-3 No Video (Sound OK)

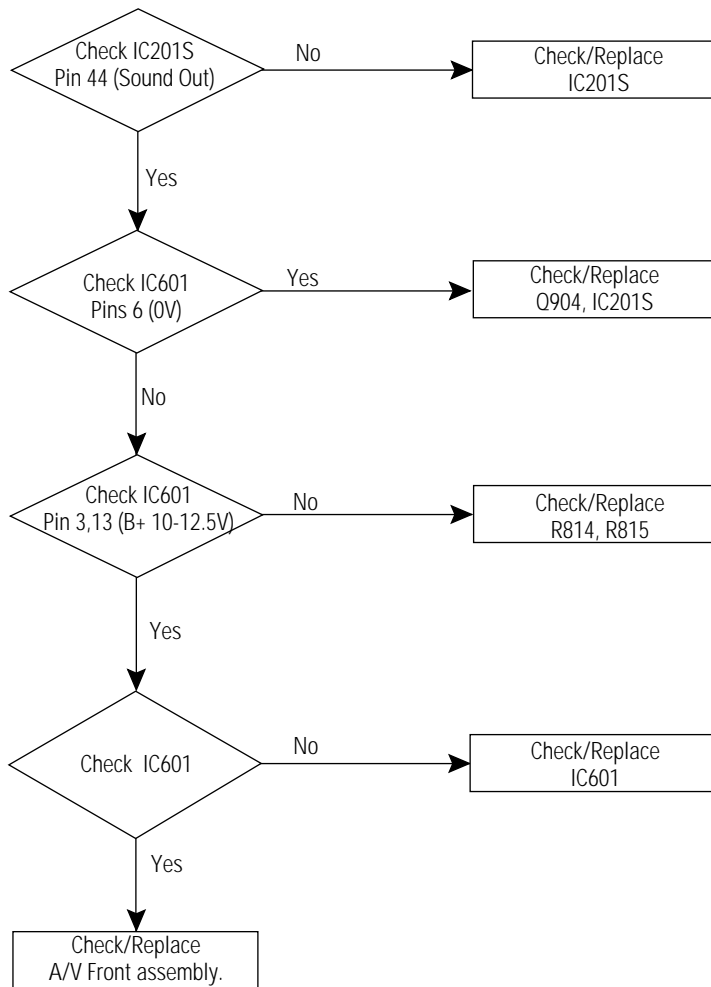
---





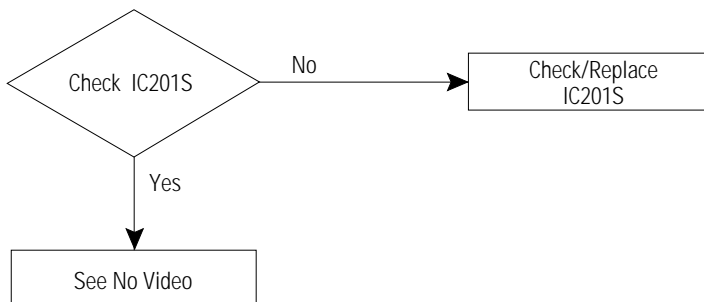
### 5-4 No Sound (Video OK)

---



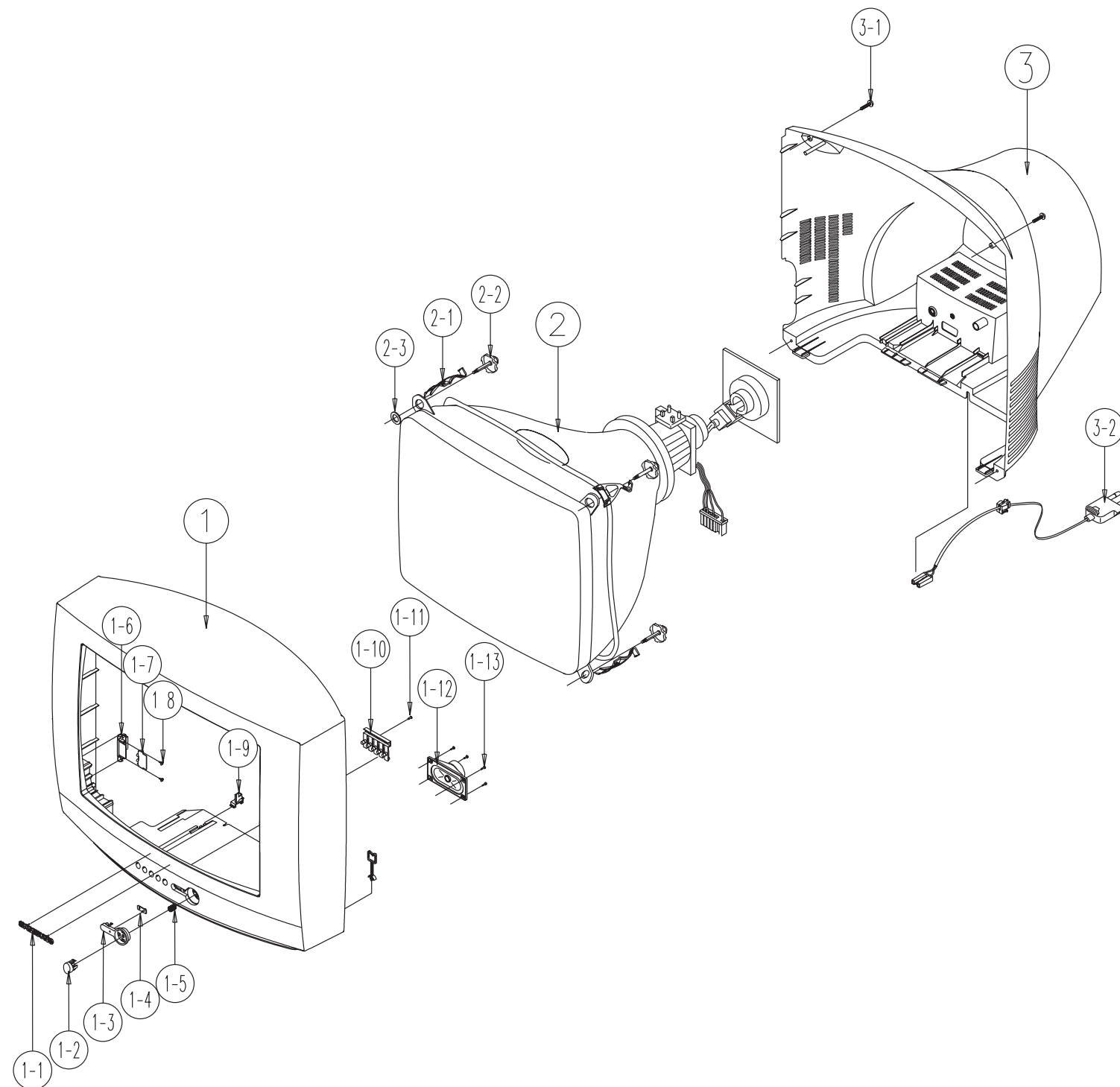
### 5-5 No TTX

---



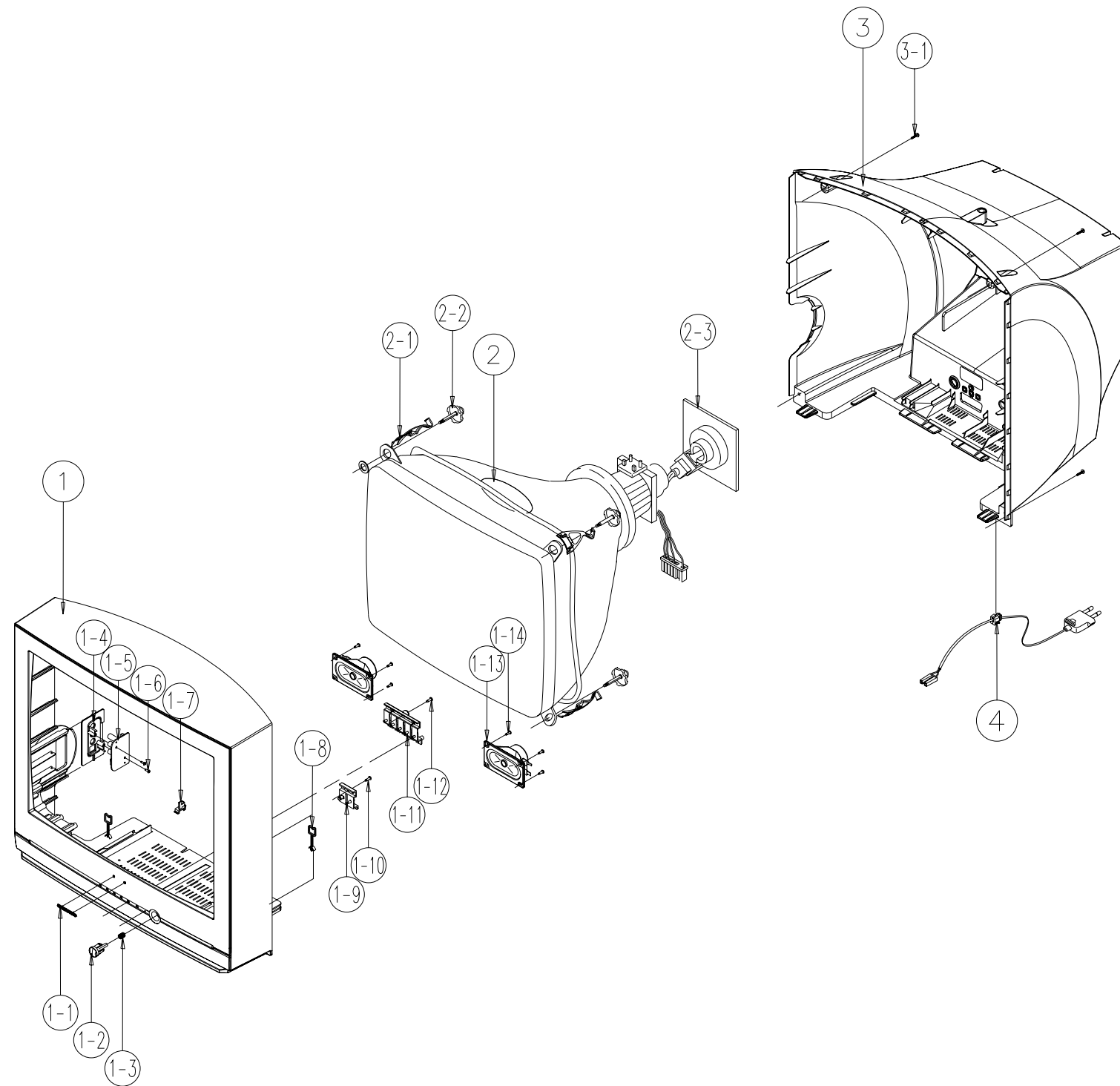
## 6. Exploded View & Parts List

### 6-1 CB20F42TSXXEC



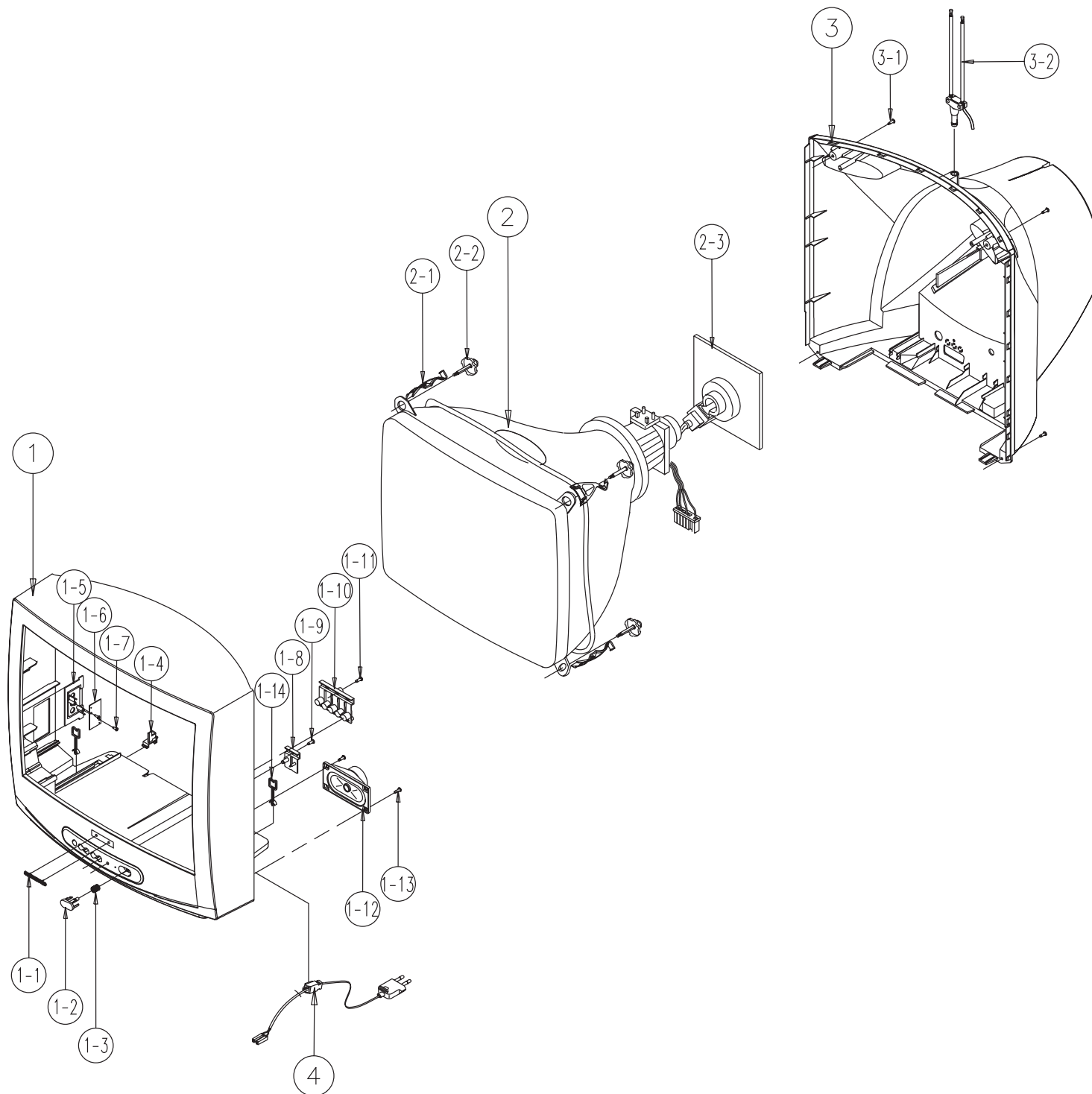
No	Code No	Description	Specification	Q'ty	Remark	S.N.A
1	HA91-00889A	ASSY CABINET FRONT;20F4,SV-011P-II		1		
1*	AA64-02396A	CABINET-FRONT;20F4,HIPS,HB,SV-012P-II,GR		1		
1-1	AA64-70127F	BADGE-BRAND;NEW,AL,-,-,L40,R800,SILVER,S		1		
1-2	AA64-02491A	KNOB POWER;20H3,HIPS,HB,BLK		1		
1-3	HA64-01339A	WINDOW-REMOCON;WINDOW-REMOCON;20H3,PC,VI 1		1		
1-4	HA64-01340A	INDICATOR-LED;INDICATOR-LED;20H3,ACRYL,		1		
1-5	AA61-60003T	SPRING ETC-CS;-;SUS304,-,-,OD7,N5,OD7,-,-		1		
1-6	HA61-00494A	HOLDER-AV;TOOL,20F4,-,-,-,MOLD		1		
1-7	AA95-00946A	ASSY ETC-A/V SIDE;-;20F4,S15A,PAL,-,MONO		1		
1-8	6003-001024	SCREW-TAPTITE;RWH,+;B,M4,L12,ZPC(YEL),SW		2	CF+AV	
1-9		STOPPER-PCB				
1-10	AA64-02452A	KNOB CONTROL;20H3,HIPS,HB,BLK		1		
1-11	6002-000515	SCREW-TAPPING;RH,+;2,M4,L15,ZPC(WHT),SWR		1	KC+CF	
1-12	AA96-00852A	ASSY SPEAKER;160HM,3W,3001-001039,700/3		1		
1-13	6002-000515	SCREW-TAPPING;RH,+;2,M4,L15,ZPC(WHT),SWR		8	SPK+CF	
2	AA94-05856A	ASSY CRT;A48ECR43X,+400MG,20,90DEG		1		
2-1	AA65-30107A	CLAMPER CORE-D,COIL;20~22 INCH,NYLON 66,		4		
2-2	AA60-10050Q	SCREW-ASSY;-;SWRCH18A,M5,L26.5,HH,+;WC,-		4	CRT+CF	
2-3	3704-001105	SOCKET-CRT;11P,20PI,26.5PI,NI,-		1	V999S	
3	HA64-02382B	CABINET BACK;20F4,VL-1823,GRY		1		
3-1	6002-000515	SCREW-TAPPING;RH,+;2,M4,L15,ZPC(WHT),SWR		4	CB+CF	
3-2	AA96-01126A	ASSY POWER CORD;DP,AA39-10001G,CP2,H/C25		1		

### 6-2 CB21F32TSXXEC



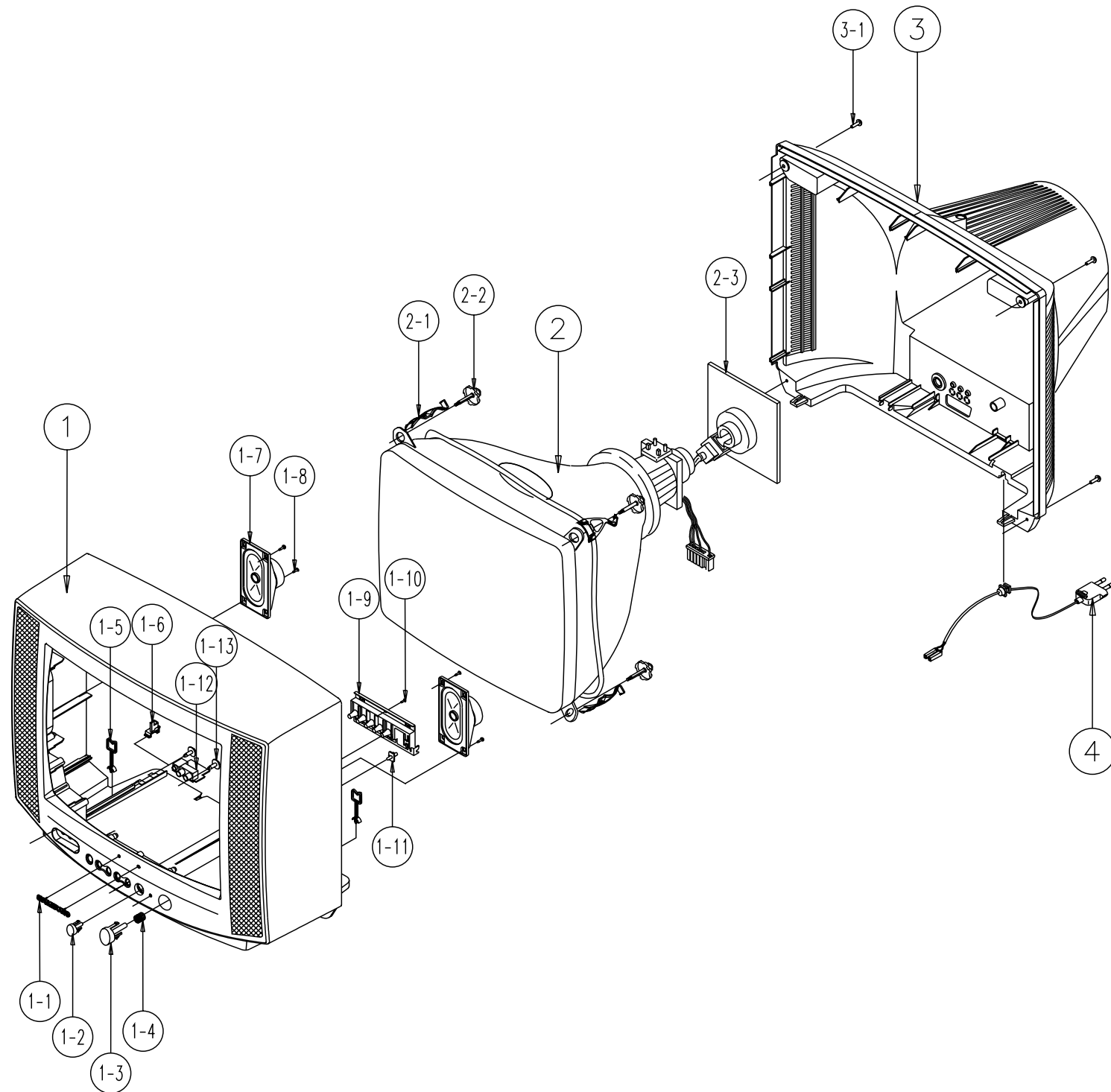
No	Code No	Description	Specification	Q'ty	Remark	S.N.A
1	AA96-01258A	ASSY COVER P-FRONT;21F3,HIPS HB,SV012P S		1		
1*	AA64-03005B	CABINET-FRONT;21F3,HIPS,HB,G4309,SV012P		1		
1-1	AA64-70127F	BADGE-BRAND;NEW,AL,-,-,L40,R800,SILVER,S		1		
1-2	AA64-03010A	KNOB-POWER;21F3,ABS,HB,G3676,SVM-3012		1		
1-3	AA61-60003J	SPRING ETC-CS;-,-,SUS304,-,-,OD6,N7,OD6,-,-		1		
1-4	AA95-03124A	ASSY ETC-A/V SIDE;20F3-21F3,KS1A		1		
1-5	AA61-01234A	HOLDER-AV;21F3,HIPS HB,G4309,SV012P		1		
1-6	6003-001023	SCREW-TAPTITE;RWH,+B,M3,L10,ZPC(YEL),SW		2	AV+CF	
1-7	AA61-40113A	STOPPER-PCB;501H,HIPS,-,-,HB,NTR,-		1		
1-8	AA65-30018A	CLAMPER CORE-WIRE;DONG-A,NYLON-66,-,-,-,		3		
1-9	AA64-03013A	WINDOW-RMC,LED;21F3,ACRYL,CLR		1		
1-10	6003-001019	SCREW-TAPTITE;RH,+B,M4,L12,ZPC(BLK),SWR		1	WR+CF	
1-11	AA64-03009A	KNOB-CONTROL;21F3,ABS,HB,G3676,SVM-3012		1		
1-12	6003-001019	SCREW-TAPTITE;RH,+B,M4,L12,ZPC(BLK),SWR		1	KC+CF	
1-13	AA96-01188A	ASSY HOLDER SPK;160HM,3001-001008,AA39-2		1		
1-14	6003-001019	SCREW-TAPTITE;RH,+B,M4,L12,ZPC(BLK),SWR		8	SPK+CF	
2	AA94-05859A	ASSY CRT;A51EER31X,+400MG,21		1		
2-1	AA65-30107A	CLAMPER CORE-D,COIL;20-22 INCH,NYLON 66,		4		
2-2		SCREW-ASSY		4	CRT+CF	
2-3	3704-001105	SOCKET-CRT;11P,20PI,26.5PI,NI,-		1	V999S	
3	AA64-03006A	CABINET-BACK;21F3,HIPS,FV2,G4309		1		
3-1	6002-000515	SCREW-TAPPING;RH,+2,M4,L15,ZPC(WHT),SWR		4	CB+CF	
4	AA96-01126A	ASSY POWER CORD;DP,AA39-10001G,CP2,H/C25		1	P/CORD	

6-3 CB21F52TSXXEC



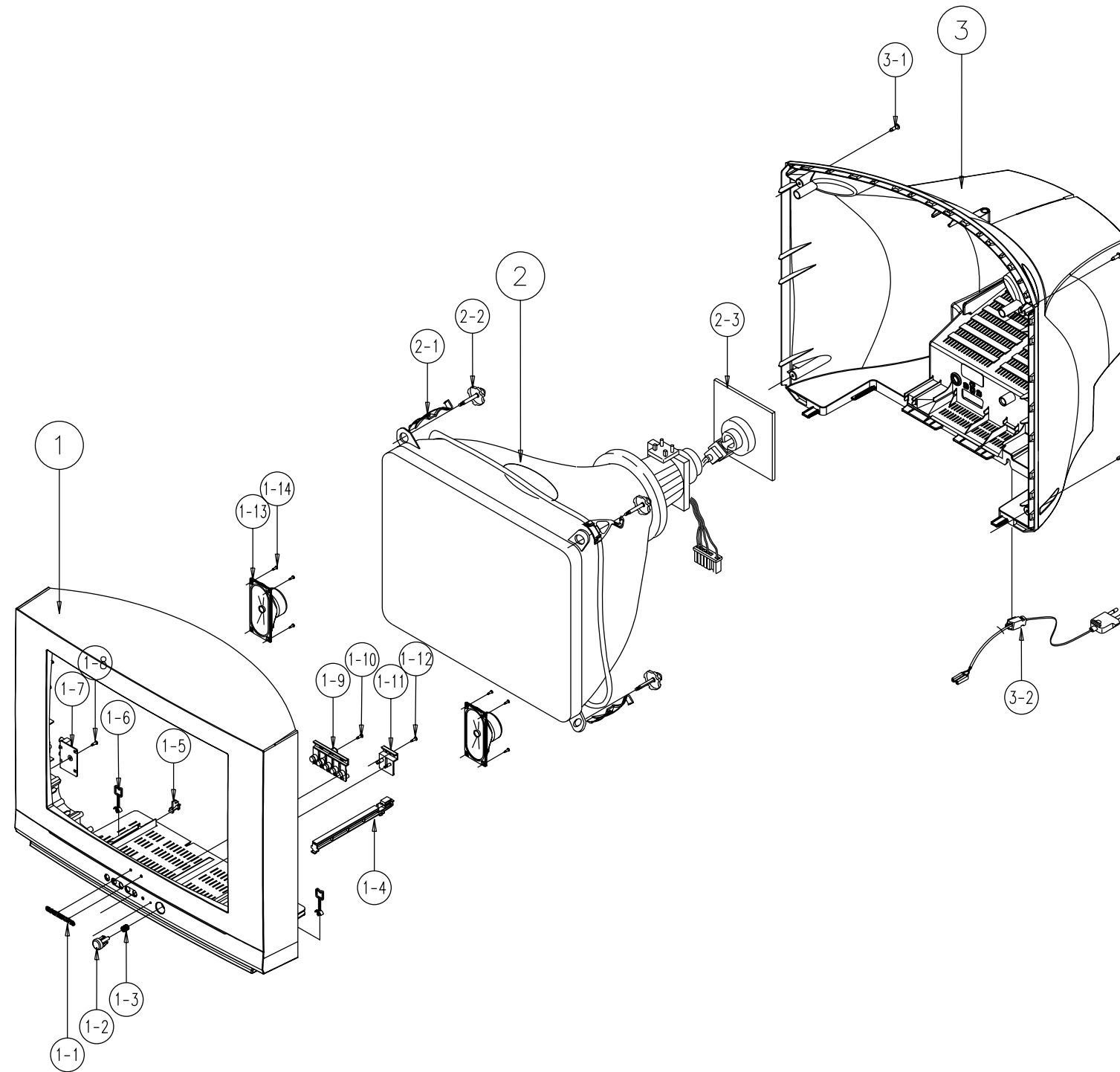
No	Code No	Description	Specification	Q'ty	Remark	S.N.A
1	HA91-00834A	ASSY CABINET FRONT;21F5,KS0A,HIPS,HB,SV		1		
1*	AA64-02383A	CABINET-FRONT;21F5,HIPS,HB,SV-012P-II,GR		1		
1-1	AA64-70010B	BADGE-BRAND;-AL,-,-,L50,-,SILVER,SS R20		1		
1-2	AA64-01705C	KNOB POWER;21F5,HIPS,HB,GRY		1		
1-3	AA61-60003J	SPRING ETC-CS;-SUS304,-,-,OD6,N7,OD6,-,		1		
1-4	AA61-40113A	STOPPER-PCB;501H,HIPS,-,-,HB,NTR,-		1		
1-5	HA61-00494A	HOLDER-AV;TOOL,20F4,-,-,-,MOLD		1		
1-6	AA41-00208C	PCB-FRONT AV;S4/C5 MODEL,FR-1,1L,C,1.6T,		1	PCB	
1-7	6003-001024	SCREW-TAPTITE;RWH,+B,M4,L12,ZPC(YEL),SW		2	PCB+HO	
1-8	HA64-01706B	WINDOW-RMC,LED;21F5,ACRYL,CLEAR		1		
1-9	6002-000515	SCREW-TAPPING;RH,+2,M4,L15,ZPC(WHT),SWR		1	CF+RMC	
1-10	AA64-02471A	KNOB CONTROL;21F5,HIPS,HB,GRY		1		
1-11	6002-000515	SCREW-TAPPING;RH,+2,M4,L15,ZPC(WHT),SWR		1	CF+KC	
1-12	AA96-00852A	ASSY SPEAKER;,160HM,3W,3001-001039,700/3		1		
1-13	6002-000515	SCREW-TAPPING;RH,+2,M4,L15,ZPC(WHT),SWR		8	CF+SPK	
1-14	AA65-30105A	CLAMPER CORE-WIRE;ALL MODEL,NYLON 66,V2,		1		
2	AA94-11633A	ASSY CRT;,+450MG,21,ITC,A51EFS83X191,9		1		
2-1	AA65-30113A	CLAMPER CORE-D,COIL;-NYLON 66,V2,-,BLK,		4		
2-2	AA60-10050Q	SCREW-ASSY;-SWRCH18A,M5,L26.5,HH,+WC,-		4	CRT+CF	
2-3	3704-001105	SOCKET-CRT;11P,20PI,26.5PI,NI,-		1	V999S	
3	HA64-02356B	CABINET BACK;21F5,VL-1823,GRY		1		
3-1	6002-000515	SCREW-TAPPING;RH,+2,M4,L15,ZPC(WHT),SWR		4	CB+CF	
3-2		ANT-ROD				
4	AA96-01126A	ASSY POWER CORD;DP,AA39-10001G,CP2,H/C25		1		

### 6-4 CB21H12TSXEC



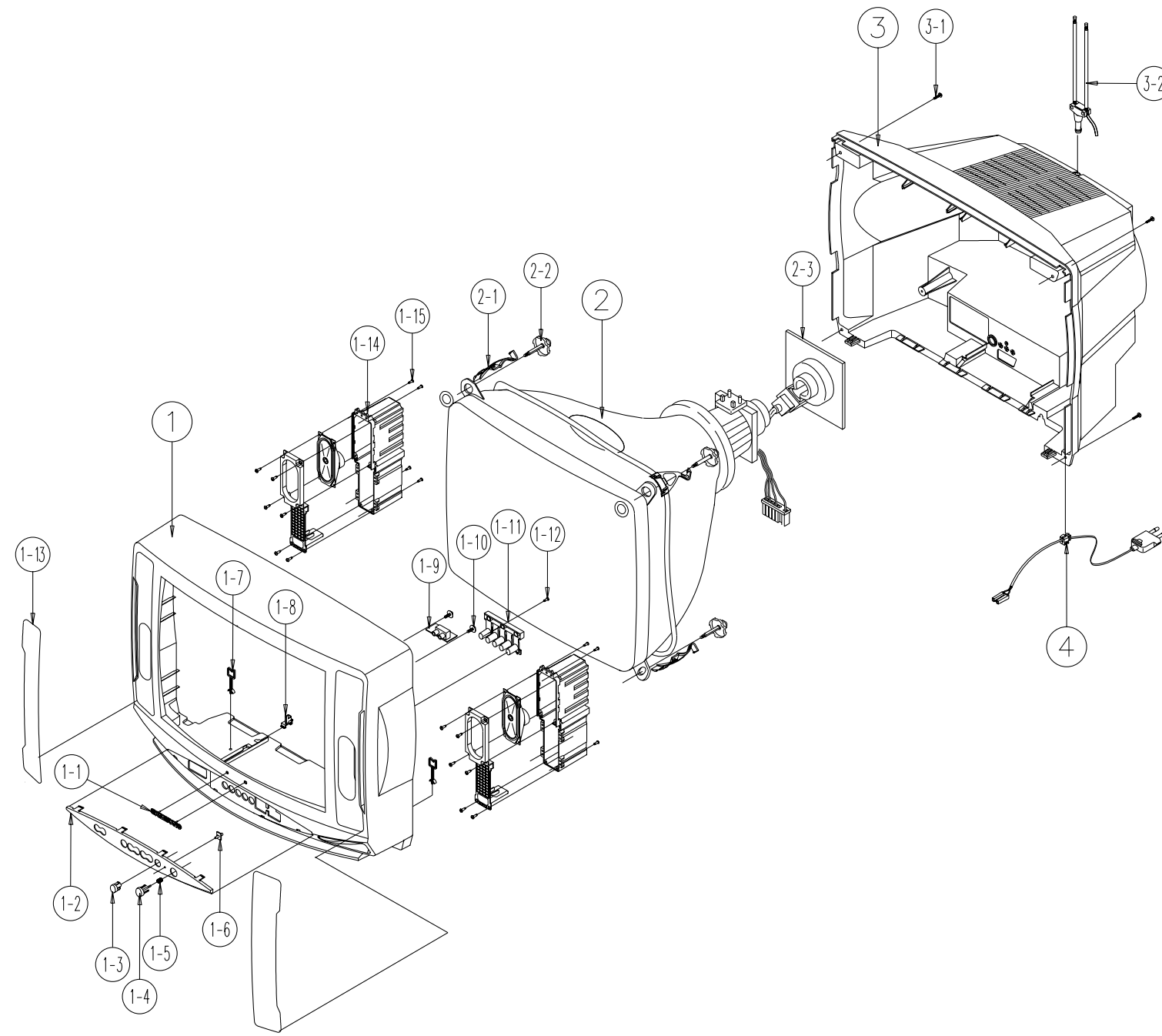
No	Code No	Description	Specification	Q'ty	Remark	S.N.A
1	HA91-20008A	ASSY CABINET FRONT;21H1,SILVER		1		
1*	AA64-02381B	CABINET-FRONT;21H1,HIPS,HB,SV-012P-II,GR		1		
1-1	AA64-70010B	BADGE-BRAND;-AL,-,L50,-,SILVER,SS R20		1		
1-2	AA64-40527A	WINDOW-REMOCON;-21H1,-,PC,-,-,-		1		
1-3	AA64-02490B	KNOB POWER;20H1,HIPS,HB,SV-012P-II,GRY		1		
1-4	AA61-60003T	SPRING ETC-CS;-SUS304,-,OD7,N5,OD7,-,		1		
1-5	AA65-30105A	CLAMPER CORE-WIRE;ALL MODEL,NYLON 66,V2,		1		
1-6		STOPPER-PCB				
1-7	AA96-00852A	ASSY SPEAKER;;16OHM,3W,3001-001039,700/3		1		
1-8	6002-000515	SCREW-TAPPING;RH,+,2,M4,L15,ZPC(WHT),SWR		4	SPK+CF	
1-9	AA64-02441B	KNOB CONTROL;20H1,HIPS,HB,SV-012P-II,GRY		1		
1-10	6002-000515	SCREW-TAPPING;RH,+,2,M4,L15,ZPC(WHT),SWR		1	KC+CF	
1-11	AA64-40496A	INDICATOR-LED;-ACRYL,-,-,-,-,-		1		
1-12	HA95-01477A	ASSY ETC;KS1A,A/V FRONT 1				
1-13	6003-001024	SCREW-TAPTITE;RWH,+,B,M4,L12,ZPC(YEL),SW		2	PA+CF	
2	AA94-05859A	ASSY CRT;A51EER31X,+400MG,21		1		
2-1	AA65-30107A	CLAMPER CORE-D,COIL;20-22 INCH,NYLON 66,		4		
2-2	AA60-10050Q	SCREW-ASSY;-SWRCH18A,M5,L26.5,HH,+,WC,-		4	CRT+CF	
2-3	3704-001105	SOCKET-CRT;11P,20PI,26.5PI,NI,-		1	V999S	
3	HA64-02378B	CABINET-BACK;21H1,VL-1823,GRAY		1		
3-1	6002-000515	SCREW-TAPPING;RH,+,2,M4,L15,ZPC(WHT),SWR		4	CB+CF	
4	AA96-01126A	ASSY POWER CORD;DP,AA39-10001G,CP2,H/C25		1		

6-5 CS20H42TSXBWT



No	Code No	Description	Specification	Q'ty	Remark	S.N.A
1	AA96-01168A	ASSY COVER P-C/Front;20H4,HIPS HB		1		
1*	AA64-03231A	CABINET-Front;20H4,HIPS,HB		1		
1-1	AA64-70010B	BADGE-BRAND;- ,AL,-,-,L50,-,SILVER,SS R20		1		
1-2	AA64-03233A	Knob-POWER;20H4,ABS,HB,NO-SILK		1		
1-3	AA61-60003J	SPRING ETC-CS;- ,SUS304,-,-,OD6,N7,OD6,-,		1		
1-4	HA61-00721B	HOLDER-RAIL;21F5,HIPS,HB,GRY		1		
1-5	AA61-40113A	STOPPER-PCB;501H,HIPS,-,-,HB,NTR,-		1		
1-6	AA65-30105A	CLAMPER CORE-WIRE;ALL MODEL,NYLON 66,V2,		1		
1-7	AA95-03104A	ASSY ETC-A/V SIDE;;21D8,KS1A		1		
1-8	6003-001024	SCREW-TAPTITE;RWH,+ ,B,M4,L12,ZPC(YEL),SW		1	CR+AV	
1-9	AA64-03235A	Knob-CONTROL;20H4,ABS,HB		1		
1-10	6003-001019	SCREW-TAPTITE;RH,+ ,B,M4,L12,ZPC(BLK),SWR		1	KC+CF	
1-11	AA64-03237A	WINDOW-RMC,LED;20H4,ACRYL,CLR		1		
1-12	6003-001019	SCREW-TAPTITE;RH,+ ,B,M4,L12,ZPC(BLK),SWR		1	WR+CF	
1-13	3001-000274	SPEAKER;5W,80HM,90DB,160HZ		2		
1-14	6003-001019	SCREW-TAPTITE;RH,+ ,B,M4,L12,ZPC(BLK),SWR		8	SPK +C	
2	AA94-05856A	ASSY CRT;A48ECR43X,+400MG,20,90DEG		1		
2-1	AA65-30107A	CLAMPER CORE-D,COIL;20~22 INCH,NYLON 66,		4		
2-2		SCREW-ASSY		4	CRT+CF	
2-3	3704-001105	SOCKET-CRT;11P,20PI,26.5PI,NI,-		1	V999S	
3	AA64-02904A	CABINET BACK;20H4(SEH),HIPS,HB		1		
3-1	6002-000515	SCREW-TAPPING;RH,+ ,2,M4,L15,ZPC(WHT),SWR		4	CB+CF	
3-2	AA96-01126A	ASSY POWER CORD;DP,AA39-10001G,CP2,H/C25		1		

**6-6 CS20S12ZSXBWT**



No	Code No	Description	Specification	Q'ty	Remark	S.N.A
1	HA91-05282A	ASSY-CABINET,FRONT;20S1,KS1A,HIPS,HB		1		
1*	AA64-00043S	CABINET-FRONT;20S1,HIPS,HB,SEH		1		
1-1	AA64-70010B	BADGE-BRAND;-AL,-,L50,-,SILVER,SS R20		1		
1-2	AA64-40512X	DECORATION-FRONT;20S1,HIPS,HB,SEH		1		
1-3	AA64-40513C	WINDOW REMOCON;20-21S1,PC,SEH		1		
1-4	AA64-10790F	KNOB POWER;20-21S1,ABS,HB,SEH		1		
1-5	AA61-60003J	SPRING ETC-CS;-SUS304,-,OD6,N7,OD6,-,		1		
1-6	AA64-03081A	INDICATOR LED;20-21S1,CLR,SEH		1		
1-7	AA65-30110A	CLAMPER CORE-WIRE;ALL MODEL,NYLON 66,V2,		1		
1-8	AA61-40113A	STOPPER-PCB;501H,HIPS,-,HB,NTR,-		1		
1-9	AA95-03066A	ASSY ETC-A/V FRONT;20S1-21S1,KS1A		1		
1-10	6003-001024	SCREW-TAPTITE;RWH,+,B,M4,L12,ZPC(YEL),SW		2	CF+PCB	
1-11	HA64-10789C	KNOBCONTROL;20-21S1,ABS,HB,SEH		1		
1-12	6003-001019	SCREW-TAPTITE;RH,+,B,M4,L12,ZPC(BLK),SWR		1	KC+CF	
1-14	3001-001005	SPEAKER;10W,80HM,91DB,140HZ		2		
1-15	6003-001019	SCREW-TAPTITE;RH,+,B,M4,L12,ZPC(BLK),SWR		8	SPK+CF	
2	AA94-05857A	ASSY CRT;A48JLL90X02(W),450MG,20,ITC,O		1		
2-1	AA65-30107A	CLAMPER CORE-D,COIL;20-22 INCH,NYLON 66,		4		
2-2	AA60-10050Q	SCREW-ASSY;-SWRCH18A,M5,L26.5,HH,+,WC,-		4	CRT+CF	
2-3	3704-001089	SOCKET-CRT;7P,22.5PI,12PI,SN,-		1	V999S	
3	HA64-00044X	CABINETBACK;20S1,VL-1823,SEH		1		
3-1	6002-000515	SCREW-TAPPING;RH,+,2,M4,L15,ZPC(WHT),SWR		6	CB+CF	
3-2	AA42-00003A	ANT ROD;-3S,720mm,ABS,UL/CSA,-		1		
4	AA96-01126A	ASSY POWER CORD;DP,AA39-10001G,CP2,H/C25		1		





Electrical Parts List

Level	Loc. No.	Code No.	Description ; Specification	Remark	Level	Loc. No.	Code No.	Description ; Specification	Remark
2	R209	2001-000793	R-CARBON;470HM,5%,1/8W,AA,TP,1.8X3.2MM		2	C227	2301-000445	C-FILM,PEF;4.7nF5%,50V,TP5.5x7x3mm,5mm	
2	R927	2001-000793	R-CARBON;470HM,5%,1/8W,AA,TP,1.8X3.2MM		2	C248	2301-000445	C-FILM,PEF;4.7nF5%,50V,TP5.5x7x3mm,5mm	
2	R203	2001-000857	R-CARBON;5600HM,5%,1/8W,AA,TP,1.8X3.2MM		2	C420	2301-001065	C-FILM,MPPF;47nF5%,630V,TP,19x15.5x7.7	
2	R204	2001-000857	R-CARBON;5600HM,5%,1/8W,AA,TP,1.8X3.2MM		2	C301	2305-000285	C-FILM,MPEF;220nF5%,100V,TP,10.5X5.5X15	
2	R713	2001-000857	R-CARBON;5600HM,5%,1/8W,AA,TP,1.8X3.2MM		2	C215	2305-000289	C-FILM,MPEF;220nF5%,63V,TP,-5mm	
2	R715	2001-000857	R-CARBON;5600HM,5%,1/8W,AA,TP,1.8X3.2MM		2	C216	2305-000289	C-FILM,MPEF;220nF5%,63V,TP,-5mm	
2	R110	2001-000924	R-CARBON;6800HM,5%,1/8W,AA,TP,1.8X3.2MM		2	C233	2305-000289	C-FILM,MPEF;220nF5%,63V,TP,-5mm	
2	R915	2001-000924	R-CARBON;6800HM,5%,1/8W,AA,TP,1.8X3.2MM		2	C611	2305-000289	C-FILM,MPEF;220nF5%,63V,TP,-5mm	
2	R722	2001-000924	R-CARBON;6800HM,5%,1/8W,AA,TP,1.8X3.2MM		2	C613	2305-000289	C-FILM,MPEF;220nF5%,63V,TP,-5mm	
2	R108	2001-000947	R-CARBON;7.5KOHM,5%,1/8W,AA,TP,1.8X3.2M		△ 2	CR405S	2305-000382	C-FILM,MPEF;4.7nF5%,400V,TP,-5mm	
2	R222	2001-000947	R-CARBON;7.5KOHM,5%,1/8W,AA,TP,1.8X3.2M		2	C103	2305-000665	C-FILM,MPEF;100nF5%,63V,TP,7.5x4.0x5.0m	
2	R702	2001-000969	R-CARBON;750HM,5%,1/8W,AA,TP,1.8X3.2MM		2	C208	2305-000665	C-FILM,MPEF;100nF5%,63V,TP,7.5x4.0x5.0m	
2	R719	2001-000969	R-CARBON;750HM,5%,1/8W,AA,TP,1.8X3.2MM		2	C210	2305-000665	C-FILM,MPEF;100nF5%,63V,TP,7.5x4.0x5.0m	
2	R720	2001-000969	R-CARBON;750HM,5%,1/8W,AA,TP,1.8X3.2MM		2	C230	2305-000665	C-FILM,MPEF;100nF5%,63V,TP,7.5x4.0x5.0m	
2	R408	2001-001037	R-CARBON(S);0.390HM,5%,1/2W,AA,TP,2.4X6.		2	C803	2305-000665	C-FILM,MPEF;100nF5%,63V,TP,7.5x4.0x5.0m	
2	R504	2001-001062	R-CARBON(S);10M0HM,5%,1/2W,AA,TP,2.4X6.4		2	C819	2305-000665	C-FILM,MPEF;100nF5%,63V,TP,7.5x4.0x5.0m	
2	R414	2001-001078	R-CARBON(S);15KOHM,5%,1/2W,AA,TP,2.4X6.4		2	C913	2305-000665	C-FILM,MPEF;100nF5%,63V,TP,7.5x4.0x5.0m	
2	R806	2001-001108	R-CARBON(S);22KOHM,5%,1/2W,AA,TP,2.4X6.4		2	C218	2305-000665	C-FILM,MPEF;100nF5%,63V,TP,7.5x4.0x5.0m	
2	R411	2001-001114	R-CARBON(S);270KOHM,5%,1/2W,AA,TP,2.4X6.4		2	C204	2305-000665	C-FILM,MPEF;100nF5%,63V,TP,7.5x4.0x5.0m	
2	R809	2001-001150	R-CARBON(S);470KOHM,5%,1/2W,AA,TP,2.4X6.		2	C205	2305-000665	C-FILM,MPEF;100nF5%,63V,TP,7.5x4.0x5.0m	
2	R810	2001-001150	R-CARBON(S);470KOHM,5%,1/2W,AA,TP,2.4X6.		2	C231	2305-000665	C-FILM,MPEF;100nF5%,63V,TP,7.5x4.0x5.0m	
2	R501H	2002-001008	R-COMPOSITION;1.8Kohm,10%,1/2W,AA,TP,3.7		2	C618	2305-000665	C-FILM,MPEF;100nF5%,63V,TP,7.5x4.0x5.0m	
2	R502H	2002-001008	R-COMPOSITION;1.8Kohm,10%,1/2W,AA,TP,3.7		2	C225	2309-000138	C-FILM,PE-PFF;100nF5%,50V,TP,20x16x8.5.	
2	R503	2002-001008	R-COMPOSITION;1.8Kohm,10%,1/2W,AA,TP,3.7		2	C812	2401-000262	C-AL;100uF,20%,160V,HR,TP,16x25.7.5	
△ 2	RX801S	2002-001011	R-COMPOSITION;3.3Mohm,5%,1/2W,AA,TP,3.7x		2	C817	2401-000302	C-AL;100uF,20%,25V,GP,TP,6.3x11.5	
△ 2	RY801S	2002-001012	R-COMPOSITION;8.2Mohm,5%,1/2W,AA,TP,3.7x		2	C823	2401-000302	C-AL;100uF,20%,25V,GP,TP,6.3x11.5	
2	R827	2003-000652	R-METAL OXIDE(S);330ohm,5%,2W,AF,TP,4x12		2	C915	2401-000302	C-AL;100uF,20%,25V,GP,TP,6.3x11.5	
2	R315	2003-000652	R-METAL OXIDE(S);330ohm,5%,2W,AF,TP,4x12		2	C307	2401-000360	C-AL;100uF,20%,50V,GP,TP,8x11.5,5	
2	R316	2003-000652	R-METAL OXIDE(S);330ohm,5%,2W,AF,TP,4x12		2	C308	2401-000360	C-AL;100uF,20%,50V,GP,TP,8x11.5,5	
2	R403	2003-000784	R-METAL OXIDE(S);7.5Kohm,5%,2W,AF,TP,4x1		2	C506	2401-000430	C-AL;10uF,20%,250V,GP,TP,10x16mm,5m	
2	R834	2003-001040	R-METAL OXIDE(S);47Kohm,5%,2W,AF,TP,3.9x		2	C219	2401-000603	C-AL;1uF,20%,50V,GP,TP,5x11.5	
2	R303	2003-002070	R-METAL OXIDE;1ohm,5%,2W,AF,TP,3.9x10mm		2	C212	2401-000660	C-AL;2.2uF,20%,50V,GP,TP,5x11.5	
2	R801	2003-002171	R-METAL OXIDE(S);150ohm,5%,2W,AG,TP,3.9x		2	C221	2401-000660	C-AL;2.2uF,20%,50V,GP,TP,5x11.5	
2	R402	2003-002178	R-METAL OXIDE(S);1Kohm,5%,2W,AG,TP,3.9x1		2	C605	2401-000660	C-AL;2.2uF,20%,50V,GP,TP,5x11.5	
2	R407	2003-002209	R-METAL OXIDE(S);47Kohm,5%,2W,AG,TP,3.9X		2	C222	2401-000758	C-AL;220nF,20%,50V,GP,TP,5x11.5	
2	R219	2004-001914	R-METAL;39Kohm,2%,1/8W,AA,TP,1.8x3.5mm		2	C827	2401-000927	C-AL;22uF,20%,250V,GP,TP,13x20,5	
2	R817	2004-004089	R-METAL(S);123Kohm,1%,1/2W,AA,TP,2.5x6.5		2	C110	2401-000962	C-AL;22uF,20%,50V,GP,TP,5x11.5	
2	R304	2008-000253	R-FUSIBLE(S);0.47ohm,5%,1W,AF,TP,3.9x10m		2	C101	2401-001101	C-AL;330uF,20%,16V,GP,TP,8x11.5,5	
2	R305	2008-000253	R-FUSIBLE(S);0.47ohm,5%,1W,AF,TP,3.9x10m		2	C802	2401-001192	C-AL;33uF,20%,50V,GP,TP,6.3x11.5	
2	R825	2008-000266	R-FUSIBLE(S);1ohm,5%,2W,AF,TP,3.9x10mm		2	C504	2401-001232	C-AL;4.7uF,20%,250V,GP,TP,10x12.5,5	
2	R421	2008-000266	R-FUSIBLE(S);1ohm,5%,2W,AF,TP,3.9x10mm		2	C209	2401-001840	C-AL;100uF,20%,16V,GP,TP,6.3x11.5	
2	R824	2008-000294	R-FUSIBLE(S);33ohm,5%,2W,AF,TP,3.9x10mm		2	C213	2401-001840	C-AL;100uF,20%,16V,GP,TP,6.3x11.5	
2	R420	2008-001110	R-FUSIBLE(S);68ohm,5%,2W,AG,TP,3.9X12mm		2	C229	2401-001840	C-AL;100uF,20%,16V,GP,TP,6.3x11.5	
2	R814	2008-001086	R-FUSIBLE(S);3.3ohm,5%,2W,AG,TP,3.9x12mm		2	C903	2401-001840	C-AL;100uF,20%,16V,GP,TP,6.3x11.5	
2	R815	2008-001086	R-FUSIBLE(S);3.3ohm,5%,2W,AG,TP,3.9x12mm		2	C910	2401-001840	C-AL;100uF,20%,16V,GP,TP,6.3x11.5	
2	C904	2201-000180	C-CERAMIC,DISC;10nF,10%,50V,Y5P,TP,x3.5		2	C705	2401-001989	C-AL;4.7uF,20%,50V,BP,TP,5x11.5	
2	C501	2201-000192	C-CERAMIC,DISC;0.01nF,0.25pF,500V,NP0,TP		2	C706	2401-001989	C-AL;4.7uF,20%,50V,BP,TP,5x11.5	
2	C302	2201-000259	C-CERAMIC,DISC;0.18nF,10%,500V,Y5P,TP,5.		2	C710	2401-001989	C-AL;4.7uF,20%,50V,BP,TP,5x11.5	
2	C303	2201-000556	C-CERAMIC,DISC;0.47nF,10%,500V,Y5P,TP,5.		2	C711	2401-001989	C-AL;4.7uF,20%,50V,BP,TP,5x11.5	
2	C305	2201-000556	C-CERAMIC,DISC;0.47nF,10%,500V,Y5P,TP,5.		2	C601	2401-001998	C-AL;1000uF,20%,25V,GP,TP,10x20,5mm	
2	C908	2201-000573	C-CERAMIC,DISC;0.047nF,5%,50V,NP0,TP,5x3		2	C206	2401-002235	C-AL;10uF,20%,16V,GP,TP,5x11mm,5mm	
2	C909	2201-000573	C-CERAMIC,DISC;0.047nF,5%,50V,NP0,TP,5x3		2	C220	2401-002235	C-AL;10uF,20%,16V,GP,TP,5x11mm,5mm	
2	C408	2201-000599	C-CERAMIC,DISC;0.56nF,10%,500V,Y5P,TP,5.		2	C709	2401-002235	C-AL;10uF,20%,16V,GP,TP,5x11mm,5mm	
△ 2	CR404S	2201-000639	C-CERAMIC,DISC;0.68nF,10%,2kV,Y5P,TP,9x5		2	C304	2401-002288	C-AL;470uF,20%,25V,WT,TP,10x20,5	
2	C811	2201-000991	C-CERAMIC,DISC;0.56nF,10%,2kV,Y5P,TP,7.5		2	C306	2401-002288	C-AL;470uF,20%,25V,WT,TP,10x20,5	
2	C814	2201-000991	C-CERAMIC,DISC;0.56nF,10%,2kV,Y5P,TP,7.5		2	C813	2401-002290	C-AL;47uF,20%,160V,GP,TP,13x20,5	
2	C503	2201-000723	C-CERAMIC,DISC;4.7nF,20%,3kV,Y5U,TP,16x5		2	C406	2401-002619	C-AL;47uF,20%,25V,GP,TP,5x11.5	
2	C703	2202-000121	C-CERAMIC,MLC-AXIAL;100pF,10%,50V,Y5P,TP		2	C214	2401-003102	C-AL;100uF,20%,10V,GP,TP,5x11.5	
2	C704	2202-000121	C-CERAMIC,MLC-AXIAL;100pF,10%,50V,Y5P,TP		2	L103	2701-000114	INDUCTOR-AXIAL;10uH,10%,2.5x3.4mm	
2	C106	2202-000127	C-CERAMIC,MLC-AXIAL;10nF,+80-20%,25V,Y5V		2	L202	2701-000114	INDUCTOR-AXIAL;10uH,10%,2.5x3.4mm	
2	C111	2202-000127	C-CERAMIC,MLC-AXIAL;10nF,+80-20%,25V,Y5V		2	L301	2701-000142	INDUCTOR-AXIAL;1uH,10%,2.5x3.4mm	
2	C223	2202-000796	C-CERAMIC,MLC-AXIAL;1nF,10%,50V,Y5P,TP,3		2	L302	2701-000142	INDUCTOR-AXIAL;1uH,10%,2.5x3.4mm	
2	C224	2202-000796	C-CERAMIC,MLC-AXIAL;1nF,10%,50V,Y5P,TP,3		2	L404	2701-000142	INDUCTOR-AXIAL;1uH,10%,2.5x3.4mm	
2	C906	2202-000796	C-CERAMIC,MLC-AXIAL;1nF,10%,50V,Y5P,TP,3		2	L903	2701-000158	INDUCTOR-AXIAL;22uH,10%,2.5x3.4mm	
2	C505	2202-000825	C-CERAMIC,MLC-AXIAL;680pF,10%,50V,Y5P,TP		2	L102	2701-000159	INDUCTOR-AXIAL;22uH,10%,4.2x9.8mm	
2	C226	2202-000829	C-CERAMIC,MLC-AXIAL;0.82nF,10%,50V,Y5P,TP		2	L201	2701-000159	INDUCTOR-AXIAL;22uH,10%,4.2x9.8mm	
2	C707	2301-000204	C-FILM,PEF;2.7nF5%,50V,TP,7.4x3.9x13mm,5		2	L205	2701-000159	INDUCTOR-AXIAL;22uH,10%,4.2x9.8mm	
2	C502	2301-000213	C-FILM,PEF;220nF5%,250V,TP,21.5x11.7,5		2	L405	2701-000159	INDUCTOR-AXIAL;22uH,10%,4.2x9.8mm	
2	C109	2301-000224	C-FILM,PEF;22nF5%,50V,TP,7.4x3.9x13mm,5		2	L104	2701-000168	INDUCTOR-AXIAL;3.3uH,5%,2.5x3.4mm	
2	C804	2301-000224	C-FILM,PEF;22nF5%,50V,TP,7.4x3.9x13mm,5		2	L204	2701-000168	INDUCTOR-AXIAL;3.3uH,5%,2.5x3.4mm	
2	C805	2301-000235	C-FILM,PEF;3.9nF5%,50V,TP,6.5x3.0x5.5mm		2	L902	2701-000180	INDUCTOR-AXIAL;33uH,5%,2.5x3.4mm	
2	C309	2301-000254	C-FILM,PEF;39nF5%,50V,TP,7.5x3.5x6.5mm,		2	L904	2701-000180	INDUCTOR-AXIAL;33uH,5%,2.5x3.4mm	
2	C606	2301-000111	C-FILM,PEF;1.8nF5%,50V,TP,6.5x3.0x5.5mm		2	L702	2701-000184	INDUCTOR-AXIAL;4.7uH,10%,2.5x3.4mm	
2	C217	2301-000342	C-FILM,PEF;2.2nF5%,50V,TP,7.4x3.9x13mm,		2	L703	2701-000184	INDUCTOR-AXIAL;4.7uH,10%,2.5x3.4mm	
2	C234	2301-000342	C-FILM,PEF;2.2nF5%,50V,TP,7.4x3.9x13mm,		2	L704	2701-000184	INDUCTOR-AXIAL;4.7uH,10%,2.5x3.4mm	
2	C407	2301-000383	C-FILM,PEF;10nF5%,50V,TP,6x7x3.2mm,5mm		2	L706	2701-000184	INDUCTOR-AXIAL;4.7uH,10%,2.5x3.4mm	



Electrical Parts List

Level	Loc. No.	Code No.	Description ; Specification	Remark	Level	Loc. No.	Code No.	Description ; Specification	Remark
2	EY807	AA60-40011A	K EYELET;ID2.0,OD2.8,BST		2	R302	2004-001369	R-METAL(S);1.2Kohm,1%,1/2W,AA,TP,2.4x6.4	
2	EY808	AA60-40011A	K EYELET;ID2.0,OD2.8,BST		2	C615	2202-000253	C-CERAMIC,MLC-AXIAL;4.7nF,20%,16V,Y5R,TP	
2	EY809	AA60-40011A	K EYELET;ID2.0,OD2.8,BST		2	R306	2004-004969	R-METAL(S);1.1Kohm,1%,1/2W,AA,TP,2.4x6.4	
2	EY810	AA60-40011A	K EYELET;ID2.0,OD2.8,BST		△	D804	0401-000006	DIODE-SWITCHING;BAV21.250V,250mA,DO-35,T	
2	EY813	AA60-40011A	K EYELET;ID2.0,OD2.8,BST		△	D805	0402-001470	DIODE-RECTIFIER,RU2BV1,800V,1A,DO-204AC,	
2	EY818	AA60-40011A	K EYELET;ID2.0,OD2.8,BST		2	R808	2001-001138	R-CARBON(S);390OHM,5%,1/2W,AA,TP,2.4X6.4	
2	EY819	AA60-40011A	K EYELET;ID2.0,OD2.8,BST		2	R831	2001-001088	R-CARBON(S);1KOHM,5%,1/2W,AA,TP,2.4X6.4M	
2	EY821	AA60-40011A	K EYELET;ID2.0,OD2.8,BST		2	R405	2001-001116	R-CARBON(S);270HM,5%,1/2W,AA,TP,2.4X6.4M	
2	EY822	AA60-40011A	K EYELET;ID2.0,OD2.8,BST		2	C203	2401-002462	C-AL;33uF,20%,16V,GPTP5x11.5	
2	EY823	AA60-40011A	K EYELET;ID2.0,OD2.8,BST		2	R811	2003-002239	R-METAL OXIDE(S);100KOHM,5%,2W,AF,TP,3.9	
2	EY824	AA60-40011A	K EYELET;ID2.0,OD2.8,BST		2	R812	2003-002239	R-METAL OXIDE(S);100KOHM,5%,2W,AF,TP,3.9	
2	EY825	AA60-40011A	K EYELET;ID2.0,OD2.8,BST		2	R840	2001-001122	R-CARBON(S);3.9KOHM,5%,1/2W,AA,TP,2.4X6.	
2	EY827	AA60-40011A	K EYELET;ID2.0,OD2.8,BST		2	C818	2401-003028	C-AL;100uF,20%,25V,WT,TP,6.3x11.5	
2	EY828	AA60-40011A	K EYELET;ID2.0,OD2.8,BST		2	C821	2401-003028	C-AL;100uF,20%,25V,WT,TP,6.3x11.5	
2	EY829	AA60-40011A	K EYELET;ID2.0,OD2.8,BST		2	R728	2001-000273	R-CARBON;100KOHM,5%,1/8W,AA,TP,1.8X3.2M	
2	EY830	AA60-40011A	K EYELET;ID2.0,OD2.8,BST		2	R923	2001-000273	R-CARBON;100KOHM,5%,1/8W,AA,TP,1.8X3.2M	
2	EY833	AA60-40011A	K EYELET;ID2.0,OD2.8,BST		2	C603	2301-000247	C-FILM,PEF;33nF,5%,50V,TP,8.1x4.5x13mm.5	
2	EY850	AA60-40011A	K EYELET;ID2.0,OD2.8,BST		2		0203-001123	TAPE-PAPER;#53131,TO.15,W6.0,L200000,YEL	
2	EY851	AA60-40011A	K EYELET;ID2.0,OD2.8,BST		2	C102	2202-000279	C-CERAMIC,MLC-AXIAL;47pF,5%,50V,SL,TP,3.	
2	EY852	AA60-40011A	K EYELET;ID2.0,OD2.8,BST		2	DZ401	0403-001319	DIODE-ZENER;MTZJ4.7C,4.68-4.93V,500mW,DO	
2	EY853	AA60-40011A	K EYELET;ID2.0,OD2.8,BST		2	DZ906	0403-001319	DIODE-ZENER;MTZJ4.7C,4.68-4.93V,500mW,DO	
2	EY860	AA60-40011A	K EYELET;ID2.0,OD2.8,BST		2	DZ907	0403-001319	DIODE-ZENER;MTZJ4.7C,4.68-4.93V,500mW,DO	
2	EY861	AA60-40011A	K EYELET;ID2.0,OD2.8,BST		2	DZ908	0403-001319	DIODE-ZENER;MTZJ4.7C,4.68-4.93V,500mW,DO	
2	EL301	AA60-40011B	K EYELET;ID2.2,OD3.2,BSP		△	NT802S	1404-001045	THERMISTOR-NTC;4.7ohm,15%,2900K,35.0mW,T	
2	EL302	AA60-40011B	K EYELET;ID2.2,OD3.2,BSP		△	P803S	1404-001156	THERMISTOR-PTC;90HM,+30%/-20%,220V RMS,27	
2	EL403	AA60-40011B	K EYELET;ID2.2,OD3.2,BSP		△	CX801S	2306-000318	C-FILM,MPPF;220nF,20%,250V,TP,-22.5mm	
2	EL404	AA60-40011B	K EYELET;ID2.2,OD3.2,BSP		△	SF101S	2904-001070	FILTER-SAW AV;38.9MHz,SIP5K,TP;14.6dB,B/	
2	EL407	AA60-40011B	K EYELET;ID2.2,OD3.2,BSP		△	T401	AA26-50001B	TRANS-HORIZ.DRIVE;---,7.1mH;---,102uH,	
2	EL408	AA60-40011B	K EYELET;ID2.2,OD3.2,BSP		△	LX801S	AA29-30001D	FILTER LINE NOISE;SQ1913,-6.0MH,0.8A,-	
2	EL501	AA60-40011B	K EYELET;ID2.2,OD3.2,BSP		△	TU01S	AA40-00076A	TUNER;TECC0949PG35A(S),PAL,181CH,38.	
2	EL502	AA60-40011B	K EYELET;ID2.2,OD3.2,BSP		2	LD901	AA96-00555A	ASSY LED GUIDE;---,UJEX-LD-030,GREEN	
2	EL601	AA60-40011B	K EYELET;ID2.2,OD3.2,BSP		2	IC501	AA96-00842A	ASSY H/S;VIDEO,AA62-30175D,TDAB107Q	
2	EL602	AA60-40011B	K EYELET;ID2.2,OD3.2,BSP		3	IC501	1201-001541	IC-VIDEO AMP;6107,ZSIP9P,-SINGLE,-,PLA	
2	EL603	AA60-40011B	K EYELET;ID2.2,OD3.2,BSP		3	SCR501	6003-000334	SCREW-TAPTITE,RH,+2S,M3,L6,ZPC(YEL),SWR	
2	EL604	AA60-40011B	K EYELET;ID2.2,OD3.2,BSP		3	H/S501	AA62-30175D	HEAT SINK-PS;-SECC,T1.0,-.33X15X30 FT-2	
2	EL801	AA60-40011B	K EYELET;ID2.2,OD3.2,BSP		2	V995S	3704-001105	SOCKET-CRT;11P20PI,26.5PI,NJ,-	
2	EL802	AA60-40011B	K EYELET;ID2.2,OD3.2,BSP		2	RM901	AA32-00015A	MODULE REMOCOCN;FRP-3521H31,38KHZ,940MM,M	
2	EL804	AA60-40011B	K EYELET;ID2.2,OD3.2,BSP		△	IC801S	AA96-00845A	ASSY H/S,POWER,AA62-30186B,KA500765R	
2	GT101	AA60-40014A	PIN-GT,ASSY,AUTO		△	IC801	1203-001932	IC-PWM CONTROLLER;ESQ0765,TO-220F,5P,185M	
2	GT502	AA60-40014A	PIN-GT,ASSY,AUTO		3	SCR801	6003-000333	SCREW-TAPTITE,RH,+2S,M3,L10,ZPC(YEL),SW	
2	GT802	AA60-40014A	PIN-GT,ASSY,AUTO		3	H/S801	AA62-30186B	HEAT SINK-ES;---,SILVER,171J+ COVER-H	
2	GT803	AA60-40014A	PIN-GT,ASSY,AUTO		3		HA68-02189A	LABEL-WARNING;33MM,18MM,VWHITE	
2	GT804	AA60-40014A	PIN-GT,ASSY,AUTO		3		0205-000129	GREASE-SILICON;SC102,JAPAN	
2	GT805	AA60-40014A	PIN-GT,ASSY,AUTO		△	IC802	AA96-00846A	ASSY H/S;POWER,AA62-00055A,KA7632	
2	GT806	AA60-40014A	PIN-GT,ASSY,AUTO		△	IC802	1203-001939	IC-POSI.FIXED REG.;7632,SIP,10P,-,PLASTI	
2	GT501	AA60-40014A	PIN-GT,ASSY,AUTO		3	H/S802	AA62-00055A	HEAT SINK-PS;-T1.0,-.35"15"25.01,-,	
2	GT807	AA60-40014A	PIN-GT,ASSY,AUTO		3	SCR802	6003-000334	SCREW-TAPTITE,RH,+2S,M3,L6,ZPC(YEL),SWR	
2	R424	2004-001402	R-METAL(S);6.8Kohm,1%,1/2W,AA,TP,2.4x6.4		2	IC902	1103-001106	IC-EEPROM;C81D,1028x8Bit,DIP8P,300MIL,	
2	R423	2004-001373	R-METAL(S);100Kohm,1%,1/2W,AA,TP,2.4x6.4		△	SW801S	3403-001107	SWITCH-PUSH;250V,5A,DPST,-,KDC-A04	
△	FD801S	3601-001163	FUSE-AXIAL LEAD;125V,7A,-,EPOXY,2.4X7.1M		2	Q401	0502-001160	TR-POWER;2SD2499,NPN,5000mW,TO-3P,BK,8	
△	D807	0402-000493	DIODE-RECTIFIER;1R5GU41,400V,1.5A,DO-15L		2	JS701	3722-000183	JACK-SCART;21P,4mm,SN,BLK,NW	
△	D303	0402-000132	DIODE-RECTIFIER;1N4004,400V,1A,DO-41,TP		2	TOP	AA39-20010D	LEAD CONNECTOR-ASSY;1PYFH800-01,S,400,	
△	D809	0402-000132	DIODE-RECTIFIER;1N4004,400V,1A,DO-41,TP		2	TOP	AA39-20010D	LEAD CONNECTOR-ASSY;1PYFH800-01,S,400,	
2	C115	2202-000632	C-CERAMIC,MLC-AXIAL;100nF,20%,50V,Z5U,TP		2	CN501	AA39-20620C	LEAD CONNECTOR-ASSY;9PYBNH250-09,S,500	
2	C211	2202-000632	C-CERAMIC,MLC-AXIAL;100nF,20%,50V,Z5U,TP		2	IC301	AA96-00847A	ASSY H/S,AA62-00046A,LA7840	
2	C911	2202-000632	C-CERAMIC,MLC-AXIAL;100nF,20%,50V,Z5U,TP		3		1204-001483	IC-VERTICAL PROCESSOR;LA7840,SIP,7P,708MI	
2	C822	2401-000711	C-AL;220uF,20%,25V,GPTP,16x25.7.5		3		AA62-00064A	HEAT SINK-PS;DP;---,AA62-00046A;---	
2	C806	2301-001435	C-FILM,PPF;1.5nF,5%,1.2kV,TP,15x8x12.5mm		3		6003-000334	SCREW-TAPTITE,RH,+2S,M3,L6,ZPC(YEL),SWR	
2	C207	2305-000412	C-FILM,MPEF;470nF,5%,63V,TP,-,5mm		3		0205-000129	GREASE-SILICON;SC102,JAPAN	
2	C901	2305-000412	C-FILM,MPEF;470nF,5%,63V,TP,-,5mm		2	C801	2401-002219	C-AL;220uF,20%,40V,GPST,25x40,10	
2	C612	2401-000480	C-AL;10uF,20%,50V,GPTP,5x11.5		△	CR402S	2306-000195	C-FILM,MPPF;360nF,5%,400V,TP,26x19x11.5,	
2	C820	2401-000480	C-AL;10uF,20%,50V,GPTP,5x11.5		△	T444S	AA26-00116A	TRANS FBTF;FSV-14A004H(S),CT15A8,3.24MH,1	
2	C604	2401-000480	C-AL;10uF,20%,50V,GPTP,5x11.5		2	SUB	AA98-00079A	ASSY SUB PART;KS1A,MAIN(OPT),PAL,-	
2	HIC01	AA13-20004W	IC HYBRID;---,PAP103T,SIP6PPRE-AMP,TP		3		0202-000008	SOLDER-WIRE;S63S-W3.0,S63S,D3,63Sn/37Pb,	
2	RW701	2011-001133	R-NETWORK;33K/24K/75x3,5%,1/8W,X,SIP,6P,		3		0202-000187	SOLDER-WIRE FLUX;-RS60S,D1.2,63Sn/37Pb	
2	R505	2008-001011	R-FUSIBLE(S);0.18ohm,10%,2W,AF,TP,3.9x10		3		0204-000442	SOLVENT;1M-1000,C3H7OH,96,-	
2	PCB	AA41-00131G	PCB-MAIN;CS2139,FR-1.1L,G.1.6T,245X245,K		3		0204-001024	FLUX;DF-98TVS,-20%,-	
2	C702	2202-000210	C-CERAMIC,MLC-AXIAL;270pF,10%,50V,Y5P,TP		△	LR401S	AA27-30001B	COIL LINEARITY;-.195uH,QIC1010,PI0.4,4.5	
2	R413	2003-001035	R-METAL OXIDE(S);270hm,5%,2W,AF,TP,3.9x1		△	CR410S	2303-001015	C-FILM,PPF;5.5nF,5%,1.6kV,TP,29x9.5x17.2	
△	FP801S	3601-000281	FUSE-CARRIIDGE;250V,4A,TIME-LAG,GLASS,5.		2	IC602	AA96-00848A	ASSY H/S,SOUND,AA62-30175D,TDAB8943	
2	L101	2701-000171	INDUCTOR-AXIAL;330nH,10%,2.5X3.4mm		3	SCR602	6003-000334	SCREW-TAPTITE,RH,+2S,M3,L6,ZPC(YEL),SWR	
2	J101	2001-000613	R-CARBON;3.9KOHM,5%,1/8W,AA,TP,1.8X3.2M		3	H/S602	AA62-30175D	HEAT SINK-PS;-SECC,T1.0,-.33X15X30 FT-2	
2	L807	2701-001030	INDUCTOR-AXIAL;43uH,10%,5x14mm		3	IC602	1201-001740	IC-AUDIO AMP;TDA8943,SIL,9P,850MIL,SINGL	
2	L804	2701-001030	INDUCTOR-AXIAL;43uH,10%,5x14mm		2	LW01	AA27-40001N	COIL HORIZ. WIDTH;-.90/260uH,SB-5S620,PI	
2	C403	2401-000560	C-AL;1uF,20%,160V,GPTP,6.3x11.5		2	CN703	3711-002648	CONNECTOR-HEADER;BOX,9P,1R,2.5mm,STRAIGH	
△	CR409S	2201-002041	C-CERAMIC,DISC;0.82nF,10%,2kV,Y5P,TP,9x5		2	CN603	3711-002643	CONNECTOR-HEADER;BOX,4P,1R,2.5mm,STRAIGH	

Level	Loc. No.	Code No.	Description ; Specification	Remark	Level	Loc. No.	Code No.	Description ; Specification	Remark
△	2	CY801S	Z201-000446	C-CERAMIC,DISC;3.3nF,20%,400V,Y5U,TP;15x		2	HA61-00494A	HOLDER-AV;TOOL,20F4,-,-,-,MOLD	
△	2	IC201S	AA09-00270A	IC MICOM;TDA9351/N2/3,SPM-802EW2.64P;3.3		3	HA83-00006A	LP-RESIN HIPs;BASf495fNTR,HB	
△	2	T801S	AA26-00134A	TRANS SWITCHING;CS21S5T,160V-260V,PM2 P		3	HA83-00011A	LP-RESIN;M BATCH,WILSON 6007-GY-60,GRY	
2		CN401	AA60-40012D	PIN-GT,ASSY;T1.6,6-12.5,-NYLON66		3	HA83-00040A	LP-MARKING PAINT;METALLIC SILVER,SV-012	
<b>ASSY CRT</b>									
1		AA94-05856A	ASSY CRT;A48ECR43X,+400MG,20,90DEG						
△	2	AA03-00280A	CRT COLOR;A48ECR43X,+380MG,1.85MH,28.7MH						
2		AA27-20003Y	COIL DEGAUSSING;-;20.15.2ohm,28T,L2170,E		1	AA95-01478A	ASSY ETC;20F4,KS1A		
2		AA63-10002A	BAND-TIE;NYLON66 V2,L100,NTR		2	RE01	2001-001153	R-CARBON(S);470HM,5%,1/2W,AA,TP,2.4X6.4M	
2		AA98-70031A	ASSY TBC WIRE(P);DP,20,AA98-70014B,1P,TV		2	RE02A	2001-001153	R-CARBON(S);470HM,5%,1/2W,AA,TP,2.4X6.4M	
2		AA65-30107A	CLAMPER CORE-D,COIL,20-22 INCH,NYLON 66,		2	CE04	2202-000121	C-CERAMIC,MLC-AXIAL;100pF,10%,50V,Y5P,TP	
<b>ASSY CABINET FRONT</b>									
1		HA91-00889A	ASSY CABINET FRONT;20F4,SV-011P-II		2	CE07	2202-000222	C-CERAMIC,MLC-AXIAL;3.3nF,20%,16V,Y5P,TP	
2	KC+CF	6002-000515	SCREW-TAPPING;RH,+2,M4,L15,ZPC(WHT),SWR		2	CE01	2401-001840	C-AL;100uF,20%,16V,GP,TP;6.3x11.5	
2	SPK+CF	6002-000515	SCREW-TAPPING;RH,+2,M4,L15,ZPC(WHT),SWR		2	LE04	2701-000114	INDUCTOR-AXIAL;10uH,10%,2.5x3.4mm	
2		AA61-60003T	SPRING ETC-CS;-;SUS304,-;DD7,N5,OD7,-;		2	LE01	2701-000158	INDUCTOR-AXIAL;22uH,10%,2.5x3.4mm	
2		AA64-70127F	BADGE-BRAND;NEW,AL,-;L40,R800,SILVER,S		2	JE01	3812-000219	WIRE-NO SHEATH CU;TCWA,300V,52mm(TAPING)	
2		AA65-30105A	CLAMPER CORE-WIRE;ALL MODEL,NYLON 66,V2,		2	PCB	AA41-00208C	PCB-FRONT AV;S4/C5 MODEL,FR-1,1L,C,1.6T,	
2		AA64-02491A	KNOB POWER;20H3,HIPs,HB,BLK		2	JE601	3722-000143	JACK-PHONE;1P,VER;3.4PI,AG,BLK,NO	
3		HA83-00007A	LP-RESIN;M BATCH,WILSON 902-BK-60,BLK		2	JR01	3722-001282	JACK-PIN;2P(3P),3.2mm,AU,BLK,-	
3		HA83-00006A	LP-RESIN HIPs;BASf495fNTR,HB		2	CN702	AA39-20112E	LEAD CONNECTOR-ASSY;9P,YBNH025-09,67096	
2		HA64-01339A	WINDOW-REMOCON;WINDOW-REMOCON;20H3,PC,VI		2		0202-000008	SOLDER-WIRE;S63S-W3,0,S63S,D3,63Sn/37Pb,	
3		HA83-00009A	LP-RESIN PC,LEXAN		2		0202-000187	SOLDER-WIRE FLUX;-;RS60S,D1.2,63Sn/37Pb	
		121R,VIOLET			2		0204-000442	SOLVENT;1M-1000,C3H7OH,96,-	
2		HA64-01340A	INDICATOR-LED;INDI- CATOR-LED;20H3,ACRYL,	△	2		0204-001024	FLUX;DF-98TVS,-;20%,-	
3		HA83-00010A	LP- RESIN;OROGLAS,VM-100 ZHN 2	△	1	AA59-00104N	REMOCON;TM59,SIM806E,29,L/GRAY,TTX/MO		
2		AA64-02452A	KNOB CONTROL;20H3,HIPs,HB,BLK	△	<b>ASSY POWER CORD</b>				
3		HA83-00007A	LP-RESIN;M BATCH,WILSON 902-BK-60,BLK		1	AA96-01126A	ASSY POWER CORD;DPA39-10001G,CP2,H/C25		
3		HA83-00006A	LP-RESIN HIPs;BASf495fNTR,HB		2	AA39-10001G	CBF POWER CORD;-;KKP-419C,KLCE-2F2.286m		
2		AA64-02396A	CABINET-FRONT;20F4,HIPs,HB,SV-012P-II,GR		2	AA61-20284A	HOLDER;P-CORD,PP,-;BLK,VO,KE-002		
3		AA81-00106A	A/S-MARKING PAINT;P432U,DARK GREY,TPC		<b>ASSY ACCESSORY</b>				
3		HA83-00040A	LP-MARKING PAINT;METALLIC SILVER,SV-012		1	AA94-05765A	ASSY ACCESSORY;20-21,KS1A,XEC		
3		HA83-00011A	LP-RESIN;M BATCH,WILSON 6007-GY-60,GRY		2	HA68-02125A	LABEL;A/P120(G),70,69,ALLXEC,BLAC		
3		HA83-00006A	LP-RESIN HIPs;BASf495fNTR,HB		2	4301-000120	BATTERY-MN;1.5V;-;AA,14.5x50mm,-		
2		HA83-00049A	LP-ADHESIVE-HM;12MM,NTR		2	HA83-00047A	LP-TAPEACETATE;TO,1MM,W20MM,L200MM		
2		AA96-00852A	ASSY SPEAKER;160HM,3W,3001-001039,700/3		2	HA69-00276A	BAG VINYL;HDPE,TO,025,L400,W240,-;W/O LO		
3		3001-001039	SPEAKER;3W,160HM,90DB,180HZ		2	HA68-00336B	CARD-WARRANTY;A/P100(G),A5,NEW VERSION,I		
3		AA39-20505M	LEAD CONNECTOR-ASSY;4P,YSH025-04,REC,35		<b>ASSY PACKING</b>				
<b>ASSY-CABINET(COM)</b>									
1		AA90-01056D	ASSY-CABINET(COM);VL-1823,TXT,20F4		1	AA90-01156A	ASSY PACKING;20F4		
2	CB+CF	6002-000515	SCREW-TAPPING;RH,+2,M4,L15,ZPC(WHT),SWR		2	AA60-40006A	PIN-STAPLE;AUTO,33X17.8X2.4,H18,33X17.8X		
2	CRT+CF	AA60-10050Q	SCREW-ASSY;-;SWRCH18A,M5,L26.5,HH,+;WC,-		2	HA69-00646A	CUSHION-SET;CUSHION SET;20F4,CAST		
2		AA65-30008A	CLAMPER CORE-CORD;-;PE,HB,-;BLK,-		3	HA83-00058A	LP-RESIN-EPS;CHEIL SF-301V,WHT		
2		AA65-30018A	CLAMPER CORE-WIRE;DONG-A,NYLON-66,-,-,-		2	HA69-00710B	PACKING CASE;20F4,CB D-1 BB,YEL,GUJU EUR		
2		AA65-30009A	CLAMPER CORE-FBT;-;ABS,VO,-;BLK,-		2	AA69-00744C	BAG-SHEET;-;HDPE PE FOAM,TO,015,W1050,H9		
2		HA64-02382B	CABINET BACK;20F4,VL-1823,GRY		2	HA68-02178A	LABEL-BOX;250MM,89MM,WHITE		
3		AA81-00096A	RESIN-A;VL-1823,G5433,A		2	HA83-00046A	LP-TAPE INK;WIDTH 105 MM		
3		HA83-00011A	LP-RESIN;M BATCH,WILSON 6007-GY-60,GRY		<b>ASSY ETC-A/V SIDE</b>				
2		HA68-02179A	LABEL-RATING;58MM,53MM,WHITE		1	AA95-00946A	ASSY ETC-A/V SIDE;-;20F4,S15A,PAL,-;MONO		
2	qms	HA83-00052A	LP-TAPE-INK;WIDTH 55 MM						
2	rating	HA83-00052A	LP-TAPE-INK;WIDTH 55 MM						
2		HA60-00143A	SPACER-GUM;RUBBER,BLK,T5,0,M4						
2	CF+AV	6003-001024	SCREW-TAPTITE;RWH,+;B,M4,L12,ZPC(YEL),SW						
2		HA68-02177B	LABEL-POS;ALL,30MM,65MM,WHITE,AA68-02177						

**7-2 CB21F32TSXXEC**

Level	Loc. No.	Code No.	Description ; Specification	Remark
<b>ASSY PCB MAIN</b>				
1	AA94-12439A		ASSY PCB MAIN;CB21F32TSXXEC;21F3_XEC	
2		HA68-02176A	LABEL;LABEL	
2	D201	0401-000005	DIODE-SWITCHING;1N4148,100V,200mA,DO-35,	
△	D811	0401-000005	DIODE-SWITCHING;1N4148,100V,200mA,DO-35,	
△	D801S	0402-001111	DIODE-RECTIFIER;1N5397GP;600V,1.5A,DO-20	
△	D802S	0402-001111	DIODE-RECTIFIER;1N5397GP;600V,1.5A,DO-20	
△	D803S	0402-001111	DIODE-RECTIFIER;1N5397GP;600V,1.5A,DO-20	
△	D804S	0402-001111	DIODE-RECTIFIER;1N5397GP;600V,1.5A,DO-20	
2	D501	0402-000254	DIODE-RECTIFIER;RGP10J,600V,1A,DO-41,TP	
△	D803	0402-000254	DIODE-RECTIFIER;RGP10J,600V,1A,DO-41,TP	
2	D301	0402-001105	DIODE-RECTIFIER;ERB43-04SV1,400V,1.0A,-,	
2	D304	0402-001105	DIODE-RECTIFIER;ERB43-04SV1,400V,1.0A,-,	
△	D401	0402-001105	DIODE-RECTIFIER;ERB43-04SV1,400V,1.0A,-,	
2	D502	0402-001105	DIODE-RECTIFIER;ERB43-04SV1,400V,1.0A,-,	
2	D503	0402-001105	DIODE-RECTIFIER;ERB43-04SV1,400V,1.0A,-,	
2	D504	0402-001105	DIODE-RECTIFIER;ERB43-04SV1,400V,1.0A,-,	
△	D812	0402-001105	DIODE-RECTIFIER;ERB43-04SV1,400V,1.0A,-,	
2	D302	0402-001352	DIODE-RECTIFIER;GUF15G-20A,400V,1.5A,DO-	
2	DZ402	0403-000508	DIODE-ZENER;MTZJ5.6B,5.6V,5.45-5.73V,500	
2	DZ807	0403-000508	DIODE-ZENER;MTZJ5.6B,5.6V,5.45-5.73V,500	
2	DZ810	0403-000508	DIODE-ZENER;MTZJ5.6B,5.6V,5.45-5.73V,500	
2	DZ903	0403-000508	DIODE-ZENER;MTZJ5.6B,5.6V,5.45-5.73V,500	
2	DZ904	0403-000508	DIODE-ZENER;MTZJ5.6B,5.6V,5.45-5.73V,500	
2	DZ905	0403-000508	DIODE-ZENER;MTZJ5.6B,5.6V,5.45-5.73V,500	
2	DZ901	0403-000508	DIODE-ZENER;MTZJ5.6B,5.6V,5.45-5.73V,500	
2	DZ101	0403-000700	DIODE-ZENER;TZP33A,33V,31-35V,1W,DO-41,T	
2	DZ303	0403-000700	DIODE-ZENER;TZP33A,33V,31-35V,1W,DO-41,T	
2	DZ803	0403-000700	DIODE-ZENER;TZP33A,33V,31-35V,1W,DO-41,T	
2	DZ201	0403-000720	DIODE-ZENER;MTZJ9.1B,9.1V,8.57-9.01V,500	
2	DZ204	0403-000720	DIODE-ZENER;MTZJ9.1B,9.1V,8.57-9.01V,500	
2	DZ205	0403-000720	DIODE-ZENER;MTZJ9.1B,9.1V,8.57-9.01V,500	
2	DZ207	0403-000720	DIODE-ZENER;MTZJ9.1B,9.1V,8.57-9.01V,500	
2	DZ501	0403-000720	DIODE-ZENER;MTZJ9.1B,9.1V,8.57-9.01V,500	
2	DZ502	0403-000720	DIODE-ZENER;MTZJ9.1B,9.1V,8.57-9.01V,500	
2	DZ503	0403-000720	DIODE-ZENER;MTZJ9.1B,9.1V,8.57-9.01V,500	
2	DZ504	0403-000720	DIODE-ZENER;MTZJ9.1B,9.1V,8.57-9.01V,500	
2	DZ704	0403-000720	DIODE-ZENER;MTZJ9.1B,9.1V,8.57-9.01V,500	
2	DZ808	0403-000720	DIODE-ZENER;MTZJ9.1B,9.1V,8.57-9.01V,500	
2	DZ306	0403-000720	DIODE-ZENER;MTZJ9.1B,9.1V,8.57-9.01V,500	
2	DZ307	0403-000720	DIODE-ZENER;MTZJ9.1B,9.1V,8.57-9.01V,500	
2	DZ701	0403-000720	DIODE-ZENER;MTZJ9.1B,9.1V,8.57-9.01V,500	
2	DZ702	0403-000720	DIODE-ZENER;MTZJ9.1B,9.1V,8.57-9.01V,500	
2	DZ703	0403-000720	DIODE-ZENER;MTZJ9.1B,9.1V,8.57-9.01V,500	
2	DZ801	0403-001140	DIODE-ZENER;R010ESAB-T4,10V,9.19-10.30V,	
2	DZ302	0403-001221	DIODE-ZENER;UZ39BSB,35.36-37.19V,500mW,DO	
2	DZ806	0403-001317	DIODE-ZENER;MTZJ8.2B,7.78-8.19V,500mW,DO	
2	DZ802	0403-001318	DIODE-ZENER;MTZJ4.3B,4.17-4.43V,500mW,DO	
2	DZ203	0403-001322	DIODE-ZENER;MTZJ8.2B,7.78-8.19V,500mW,DO	
2	DZ805	0403-001327	DIODE-ZENER;MTZJ18A,16.22-17.06V,500mW,DO	
2	DZ301	0403-001328	DIODE-ZENER;MTZJ22A,20.15-21.20V,500mW,DO	
2	DZ305	0403-001328	DIODE-ZENER;MTZJ22A,20.15-21.20V,500mW,DO	
2	Q201	0501-000283	TR-SMALL SIGNAL;KSA539,PNP,400mW,TO-92,T	
2	Q901	0501-000283	TR-SMALL SIGNAL;KSA539,PNP,400mW,TO-92,T	
2	Q402	0501-000369	TR-SMALL SIGNAL;KSC2331-Y,NPN,1000mW,TO-	
2	Q202	0501-000389	TR-SMALL SIGNAL;KSC815,NPN,400mW,TO-92,T	
2	Q205	0501-000389	TR-SMALL SIGNAL;KSC815,NPN,400mW,TO-92,T	
2	Q701	0501-000389	TR-SMALL SIGNAL;KSC815,NPN,400mW,TO-92,T	
2	Q903	0501-000389	TR-SMALL SIGNAL;KSC815,NPN,400mW,TO-92,T	
2	Q905	0501-000389	TR-SMALL SIGNAL;KSC815,NPN,400mW,TO-92,T	
2	Q704	0501-000389	TR-SMALL SIGNAL;KSC815,NPN,400mW,TO-92,T	
△	VX801S	1405-000187	VARIABLE;750V,1250A,12.5x7mm,TP	
2	R207	2001-000005	R-CARBON;390ohm,5%,1/8W,AA,TP,1.8x3.2mm	
2	R905	2001-000005	R-CARBON;390ohm,5%,1/8W,AA,TP,1.8x3.2mm	
2	R906	2001-000005	R-CARBON;390ohm,5%,1/8W,AA,TP,1.8x3.2mm	
2	R218	2001-000008	R-CARBON;15KOHM,5%,1/8W,AA,TP,1.8X3.2MM	
2	R602	2001-000008	R-CARBON;15KOHM,5%,1/8W,AA,TP,1.8X3.2MM	
2	R205	2001-000011	R-CARBON;75KOHM,5%,1/8W,AA,TP,1.8X3.2MM	
2	R301	2001-000016	R-CARBON(S);10HM,5%,1/2W,AA,TP,2.4X6.4MM	

Level	Loc. No.	Code No.	Description ; Specification	Remark
2	J125	2001-000016	R-CARBON(S);10HM,5%,1/2W,AA,TP,2.4X6.4MM	
2	R843	2001-000019	R-CARBON(S);100HM,5%,1/2W,AA,TP,2.4X6.4M	
2	R618	2001-000019	R-CARBON(S);100HM,5%,1/2W,AA,TP,2.4X6.4M	
2	R409	2001-000022	R-CARBON(S);330HM,5%,1/2W,AA,TP,2.4X6.4M	
2	R823	2001-000037	R-CARBON(S);330OHM,5%,1/2W,AA,TP,2.4X6.4	
2	R902	2001-000241	R-CARBON;1.5KOHM,5%,1/8W,AA,TP,1.8X3.2M	
2	R904	2001-000241	R-CARBON;1.5KOHM,5%,1/8W,AA,TP,1.8X3.2M	
2	R211	2001-000281	R-CARBON;100OHM,5%,1/8W,AA,TP,1.8X3.2MM	
2	R215	2001-000281	R-CARBON;100OHM,5%,1/8W,AA,TP,1.8X3.2MM	
2	R223	2001-000281	R-CARBON;100OHM,5%,1/8W,AA,TP,1.8X3.2MM	
2	R501	2001-000281	R-CARBON;100OHM,5%,1/8W,AA,TP,1.8X3.2MM	
2	R502	2001-000281	R-CARBON;100OHM,5%,1/8W,AA,TP,1.8X3.2MM	
2	R506	2001-000281	R-CARBON;100OHM,5%,1/8W,AA,TP,1.8X3.2MM	
2	R510	2001-000281	R-CARBON;100OHM,5%,1/8W,AA,TP,1.8X3.2MM	
2	R511	2001-000281	R-CARBON;100OHM,5%,1/8W,AA,TP,1.8X3.2MM	
2	R512	2001-000281	R-CARBON;100OHM,5%,1/8W,AA,TP,1.8X3.2MM	
2	R909	2001-000281	R-CARBON;100OHM,5%,1/8W,AA,TP,1.8X3.2MM	
2	R911	2001-000281	R-CARBON;100OHM,5%,1/8W,AA,TP,1.8X3.2MM	
2	R912	2001-000281	R-CARBON;100OHM,5%,1/8W,AA,TP,1.8X3.2MM	
2	R913	2001-000281	R-CARBON;100OHM,5%,1/8W,AA,TP,1.8X3.2MM	
2	R914	2001-000281	R-CARBON;100OHM,5%,1/8W,AA,TP,1.8X3.2MM	
2	J137	2001-000281	R-CARBON;100OHM,5%,1/8W,AA,TP,1.8X3.2MM	
2	R718	2001-000281	R-CARBON;100OHM,5%,1/8W,AA,TP,1.8X3.2MM	
2	R933	2001-000281	R-CARBON;100OHM,5%,1/8W,AA,TP,1.8X3.2MM	
2	R934	2001-000281	R-CARBON;100OHM,5%,1/8W,AA,TP,1.8X3.2MM	
2	R213	2001-000281	R-CARBON;100OHM,5%,1/8W,AA,TP,1.8X3.2MM	
2	R224	2001-000290	R-CARBON;10KOHM,5%,1/8W,AA,TP,1.8X3.2MM	
2	R828	2001-000290	R-CARBON;10KOHM,5%,1/8W,AA,TP,1.8X3.2MM	
2	R910	2001-000290	R-CARBON;10KOHM,5%,1/8W,AA,TP,1.8X3.2MM	
2	R920	2001-000290	R-CARBON;10KOHM,5%,1/8W,AA,TP,1.8X3.2MM	
2	R922	2001-000290	R-CARBON;10KOHM,5%,1/8W,AA,TP,1.8X3.2MM	
2	R921	2001-000290	R-CARBON;10KOHM,5%,1/8W,AA,TP,1.8X3.2MM	
2	R919	2001-000290	R-CARBON;10KOHM,5%,1/8W,AA,TP,1.8X3.2MM	
2	R709	2001-000290	R-CARBON;10KOHM,5%,1/8W,AA,TP,1.8X3.2MM	
2	R230	2001-000290	R-CARBON;10KOHM,5%,1/8W,AA,TP,1.8X3.2MM	
2	R225	2001-001035	R-CARBON;910HM,5%,1/8W,AA,TP,1.8X3.2MM	
2	R918	2001-000429	R-CARBON;1KOHM,5%,1/8W,AA,TP,1.8X3.2MM	
2	R926	2001-000429	R-CARBON;1KOHM,5%,1/8W,AA,TP,1.8X3.2MM	
2	R210	2001-000429	R-CARBON;1KOHM,5%,1/8W,AA,TP,1.8X3.2MM	
2	R723	2001-000429	R-CARBON;1KOHM,5%,1/8W,AA,TP,1.8X3.2MM	
2	R721	2001-000429	R-CARBON;1KOHM,5%,1/8W,AA,TP,1.8X3.2MM	
2	R916	2001-000449	R-CARBON;2.2KOHM,5%,1/8W,AA,TP,1.8X3.2M	
2	R917	2001-000449	R-CARBON;2.2KOHM,5%,1/8W,AA,TP,1.8X3.2M	
2	R220	2001-000472	R-CARBON;2.7KOHM,5%,1/8W,AA,TP,1.8X3.2M	
2	R901	2001-000472	R-CARBON;2.7KOHM,5%,1/8W,AA,TP,1.8X3.2M	
2	R903	2001-000472	R-CARBON;2.7KOHM,5%,1/8W,AA,TP,1.8X3.2M	
2	R907	2001-000472	R-CARBON;2.7KOHM,5%,1/8W,AA,TP,1.8X3.2M	
2	R908	2001-000472	R-CARBON;2.7KOHM,5%,1/8W,AA,TP,1.8X3.2M	
2	R214	2001-000490	R-CARBON;200OHM,5%,1/8W,AA,TP,1.8X3.2MM	
2	R206	2001-000563	R-CARBON;27KOHM,5%,1/8W,AA,TP,1.8X3.2MM	
2	R829	2001-000563	R-CARBON;27KOHM,5%,1/8W,AA,TP,1.8X3.2MM	
2	R929	2001-000563	R-CARBON;27KOHM,5%,1/8W,AA,TP,1.8X3.2MM	
2	R208	2001-000591	R-CARBON;3.3KOHM,5%,1/8W,AA,TP,1.8X3.2M	
2	R202	2001-000689	R-CARBON;390KOHM,5%,1/8W,AA,TP,1.8X3.2M	
2	R925	2001-000734	R-CARBON;4.7KOHM,5%,1/8W,AA,TP,1.8X3.2M	
2	R841	2001-000734	R-CARBON;4.7KOHM,5%,1/8W,AA,TP,1.8X3.2M	
2	R601	2001-000734	R-CARBON;4.7KOHM,5%,1/8W,AA,TP,1.8X3.2M	
2	R227	2001-000739	R-CARBON;4.7MOHM,5%,1/8W,AA,TP,1.8X3.2M	
2	R228	2001-000739	R-CARBON;4.7MOHM,5%,1/8W,AA,TP,1.8X3.2M	
2	R109	2001-000786	R-CARBON;47KOHM,5%,1/8W,AA,TP,1.8X3.2MM	
2	R724	2001-000786	R-CARBON;47KOHM,5%,1/8W,AA,TP,1.8X3.2MM	
2	R725	2001-000786	R-CARBON;47KOHM,5%,1/8W,AA,TP,1.8X3.2MM	
2	R726	2001-000786	R-CARBON;47KOHM,5%,1/8W,AA,TP,1.8X3.2MM	
2	R727	2001-000786	R-CARBON;47KOHM,5%,1/8W,AA,TP,1.8X3.2MM	
2	R209	2001-000793	R-CARBON;47OHM,5%,1/8W,AA,TP,1.8X3.2MM	
2	R927	2001-000793	R-CARBON;47OHM,5%,1/8W,AA,TP,1.8X3.2MM	
2	R203	2001-000857	R-CARBON;560OHM,5%,1/8W,AA,TP,1.8X3.2MM	
2	R204	2001-000857	R-CARBON;560OHM,5%,1/8W,AA,TP,1.8X3.2MM	
2	R713	2001-000857	R-CARBON;560OHM,5%,1/8W,AA,TP,1.8X3.2MM	
2	R715	2001-000857	R-CARBON;560OHM,5%,1/8W,AA,TP,1.8X3.2MM	
2	R110	2001-000924	R-CARBON;680OHM,5%,1/8W,AA,TP,1.8X3.2MM	
2	R915	2001-000924	R-CARBON;680OHM,5%,1/8W,AA,TP,1.8X3.2MM	

Level	Loc. No.	Code No.	Description ; Specification	Remark	Level	Loc. No.	Code No.	Description ; Specification	Remark	
	2	R722	2001-000924	R-CARBON;680OHM,5%,1/8W,AA,TP,1.8X3.2MM		△	2	CR405S	2305-000382	C-FILM,MPEF;4.7nF,5%,400V,TP,-5mm
	2	R108	2001-000947	R-CARBON;7.5KOHM,5%,1/8W,AA,TP,1.8X3.2M		2	C103	2305-000665	C-FILM,MPEF;100nF,5%,63V,TP,7.5x4.0x5.0mm	
	2	R222	2001-000947	R-CARBON;7.5KOHM,5%,1/8W,AA,TP,1.8X3.2M		2	C208	2305-000665	C-FILM,MPEF;100nF,5%,63V,TP,7.5x4.0x5.0mm	
	2	R702	2001-000969	R-CARBON;750OHM,5%,1/8W,AA,TP,1.8X3.2MM		2	C210	2305-000665	C-FILM,MPEF;100nF,5%,63V,TP,7.5x4.0x5.0mm	
	2	R719	2001-000969	R-CARBON;750OHM,5%,1/8W,AA,TP,1.8X3.2MM		2	C230	2305-000665	C-FILM,MPEF;100nF,5%,63V,TP,7.5x4.0x5.0mm	
	2	R720	2001-000969	R-CARBON;750OHM,5%,1/8W,AA,TP,1.8X3.2MM		2	C803	2305-000665	C-FILM,MPEF;100nF,5%,63V,TP,7.5x4.0x5.0mm	
	2	R408	2001-001037	R-CARBON(S);0.390HM,5%,1/2W,AA,TP,2.4X6.4		2	C819	2305-000665	C-FILM,MPEF;100nF,5%,63V,TP,7.5x4.0x5.0mm	
	2	R504	2001-001062	R-CARBON(S);10MOHM,5%,1/2W,AA,TP,2.4X6.4		2	C913	2305-000665	C-FILM,MPEF;100nF,5%,63V,TP,7.5x4.0x5.0mm	
	2	R414	2001-001078	R-CARBON(S);15KOHM,5%,1/2W,AA,TP,2.4X6.4		2	C218	2305-000665	C-FILM,MPEF;100nF,5%,63V,TP,7.5x4.0x5.0mm	
	2	R806	2001-001108	R-CARBON(S);22KOHM,5%,1/2W,AA,TP,2.4X6.4		2	C204	2305-000665	C-FILM,MPEF;100nF,5%,63V,TP,7.5x4.0x5.0mm	
	2	R411	2001-001114	R-CARBON(S);270OHM,5%,1/2W,AA,TP,2.4X6.4		2	C205	2305-000665	C-FILM,MPEF;100nF,5%,63V,TP,7.5x4.0x5.0mm	
	2	R405	2001-001116	R-CARBON(S);270HM,5%,1/2W,AA,TP,2.4X6.4M		2	C231	2305-000665	C-FILM,MPEF;100nF,5%,63V,TP,7.5x4.0x5.0mm	
	2	R809	2001-001150	R-CARBON(S);470KOHM,5%,1/2W,AA,TP,2.4X6.4		2	C618	2305-000665	C-FILM,MPEF;100nF,5%,63V,TP,7.5x4.0x5.0mm	
	2	R810	2001-001150	R-CARBON(S);470KOHM,5%,1/2W,AA,TP,2.4X6.4		2	C225	2309-000138	C-FILM,PE-PF;100nF,5%,50V,TP,20x16x8.5,	
	2	R501H	2002-001008	R-COMPOSITION;1.8Kohm,10%,1/2W,AA,TP,3.7		2	C812	2401-000262	C-AL;100uF,20%,160V,HR,TP,16x25,7.5	
	2	R502H	2002-001008	R-COMPOSITION;1.8Kohm,10%,1/2W,AA,TP,3.7		2	C817	2401-000302	C-AL;100uF,20%,25V,GP,TP,6.3x11,5	
	2	R503	2002-001008	R-COMPOSITION;1.8Kohm,10%,1/2W,AA,TP,3.7		2	C823	2401-000302	C-AL;100uF,20%,25V,GP,TP,6.3x11,5	
△	2	RX801S	2002-001011	R-COMPOSITION;3.3Mohm,5%,1/2W,AA,TP,3.7x		2	C915	2401-000302	C-AL;100uF,20%,25V,GP,TP,6.3x11,5	
△	2	RY801S	2002-001012	R-COMPOSITION;8.2Mohm,5%,1/2W,AA,TP,3.7x		2	C307	2401-000360	C-AL;100uF,20%,50V,GP,TP,8x11,5,5	
	2	R827	2003-000652	R-METAL OXIDE(S);330ohm,5%,2W,AF,TP,4x12		2	C308	2401-000360	C-AL;100uF,20%,50V,GP,TP,8x11,5,5	
	2	R315	2003-000652	R-METAL OXIDE(S);330ohm,5%,2W,AF,TP,4x12		2	C506	2401-000430	C-AL;10uF,20%,250V,GP,TP,10x16mm,5mm	
	2	R316	2003-000652	R-METAL OXIDE(S);330ohm,5%,2W,AF,TP,4x12		2	C820	2401-000480	C-AL;10uF,20%,50V,GP,TP,5x11,5	
	2	R403	2003-000784	R-METAL OXIDE(S);7.5Kohm,5%,2W,AF,TP,4x1		2	C612	2401-000480	C-AL;10uF,20%,50V,GP,TP,5x11,5	
	2	R834	2003-001040	R-METAL OXIDE(S);47Kohm,5%,2W,AF,TP,3.9x		2	C604	2401-000480	C-AL;10uF,20%,50V,GP,TP,5x11,5	
	2	R801	2003-002171	R-METAL OXIDE(S);150ohm,5%,2W,AG,TP,3.9x		2	C219	2401-000603	C-AL;1uF,20%,50V,GP,TP,5x11,5	
	2	R402	2003-002178	R-METAL OXIDE(S);1Kohm,5%,2W,AG,TP,3.9x1		2	C212	2401-000660	C-AL;2.2uF,20%,50V,GP,TP,5x11,5	
	2	R407	2003-002209	R-METAL OXIDE(S);47Kohm,5%,2W,AG,TP,3.9X		2	C221	2401-000660	C-AL;2.2uF,20%,50V,GP,TP,5x11,5	
	2	R219	2004-001914	R-METAL;39Kohm,2%,1/8W,AA,TP,1.8x3.5mm		2	C605	2401-000660	C-AL;2.2uF,20%,50V,GP,TP,5x11,5	
	2	R817	2004-004089	R-METAL(S);123Kohm,1%,1/2W,AA,TP,2.5x6.5		2	C222	2401-000758	C-AL;220nF,20%,50V,GP,TP,5x11,5	
	2	R304	2008-000253	R-FUSIBLE(S);0.47ohm,5%,1W,AF,TP,3.9x10mm		2	C827	2401-000927	C-AL;22uF,20%,250V,GP,TP,13x20,5	
	2	R305	2008-000253	R-FUSIBLE(S);0.47ohm,5%,1W,AF,TP,3.9x10mm		2	C110	2401-000962	C-AL;22uF,20%,50V,GP,TP,5x11,5	
	2	R825	2008-000266	R-FUSIBLE(S);1ohm,5%,2W,AF,TP,3.9x10mm		2	C101	2401-001101	C-AL;330uF,20%,16V,GP,TP,8x11,5,5	
	2	R824	2008-000294	R-FUSIBLE(S);33ohm,5%,2W,AF,TP,3.9x10mm		2	C802	2401-001192	C-AL;33uF,20%,50V,GP,TP,6.3x11,5	
	2	R420	2008-001110	R-FUSIBLE(S);68ohm,5%,2W,AG,TP,3.9x12mm		2	C504	2401-001232	C-AL;4.7uF,20%,250V,GP,TP,10x12,5,5	
	2	R814	2008-001112	R-FUSIBLE(S);2.4ohm,5%,2W,AG,TP,3.9x12mm		2	C209	2401-001840	C-AL;100uF,20%,16V,GP,TP,6.3x11,5	
	2	R815	2008-001112	R-FUSIBLE(S);2.4ohm,5%,2W,AG,TP,3.9x12mm		2	C213	2401-001840	C-AL;100uF,20%,16V,GP,TP,6.3x11,5	
	2	C904	2201-000180	C-CERAMIC,DISC;10nF,10%,50V,Y5P,TP,7x3.5		2	C229	2401-001840	C-AL;100uF,20%,16V,GP,TP,6.3x11,5	
	2	C501	2201-000192	C-CERAMIC,DISC;0.01nF,0.25pF,500V,NP0,TP		2	C903	2401-001840	C-AL;100uF,20%,16V,GP,TP,6.3x11,5	
	2	C302	2201-000259	C-CERAMIC,DISC;0.18nF,10%,500V,Y5P,TP,5		2	C910	2401-001840	C-AL;100uF,20%,16V,GP,TP,6.3x11,5	
	2	C303	2201-000556	C-CERAMIC,DISC;0.47nF,10%,500V,Y5P,TP,5		2	C705	2401-001989	C-AL;4.7uF,20%,50V,BP,TP,5x11,5	
	2	C305	2201-000556	C-CERAMIC,DISC;0.47nF,10%,500V,Y5P,TP,5		2	C706	2401-001989	C-AL;4.7uF,20%,50V,BP,TP,5x11,5	
	2	C908	2201-000573	C-CERAMIC,DISC;0.047nF,5%,50V,NP0,TP,5x3		2	C710	2401-001989	C-AL;4.7uF,20%,50V,BP,TP,5x11,5	
	2	C909	2201-000573	C-CERAMIC,DISC;0.047nF,5%,50V,NP0,TP,5x3		2	C711	2401-001989	C-AL;4.7uF,20%,50V,BP,TP,5x11,5	
	2	C408	2201-000599	C-CERAMIC,DISC;0.56nF,10%,500V,Y5P,TP,5		2	C601	2401-001998	C-AL;100uF,20%,25V,GP,TP,10x20,5mm	
△	2	CR404S	2201-000639	C-CERAMIC,DISC;0.68nF,10%,2kV,Y5P,TP,9x5		2	C206	2401-002235	C-AL;10uF,20%,16V,GP,TP,5x11mm,5mm	
	2	C811	2201-000991	C-CERAMIC,DISC;0.56nF,10%,2kV,Y5P,TP,7.5		2	C220	2401-002235	C-AL;10uF,20%,16V,GP,TP,5x11mm,5mm	
△	2	C814	2201-000991	C-CERAMIC,DISC;0.56nF,10%,2kV,Y5P,TP,7.5		2	C709	2401-002235	C-AL;10uF,20%,16V,GP,TP,5x11mm,5mm	
△	2	CR409S	2201-000991	C-CERAMIC,DISC;0.56nF,10%,2kV,Y5P,TP,7.5		2	C306	2401-002288	C-AL;470uF,20%,25V,WT,TP,10x20,5	
	2	C503	2201-000723	C-CERAMIC,DISC;4.7nF,20%,3KV,Y5U,TP,16x5		2	C304	2401-002288	C-AL;470uF,20%,25V,WT,TP,10x20,5	
	2	C703	2202-000121	C-CERAMIC,MLC-AXIAL;100pF,10%,50V,Y5P,TP		2	C813	2401-002290	C-AL;47uF,20%,160V,GP,TP,13x20,5	
	2	C704	2202-000121	C-CERAMIC,MLC-AXIAL;100pF,10%,50V,Y5P,TP		2	C406	2401-002619	C-AL;47uF,20%,25V,GP,TP,5x11,5	
	2	C106	2202-000127	C-CERAMIC,MLC-AXIAL;10nF,+80-20%,25V,Y5V		2	C214	2401-003102	C-AL;100uF,20%,10V,GP,TP,5x11,5	
	2	C111	2202-000127	C-CERAMIC,MLC-AXIAL;10nF,+80-20%,25V,Y5V		2	L103	2701-000114	INDUCTOR-AXIAL;10uH,10%,2.5x3.4mm	
	2	C223	2202-000796	C-CERAMIC,MLC-AXIAL;1nF,10%,50V,Y5P,TP,3		2	L202	2701-000114	INDUCTOR-AXIAL;1uH,10%,2.5x3.4mm	
	2	C224	2202-000796	C-CERAMIC,MLC-AXIAL;1nF,10%,50V,Y5P,TP,3		2	L301	2701-000142	INDUCTOR-AXIAL;1uH,10%,2.5x3.4mm	
	2	C906	2202-000796	C-CERAMIC,MLC-AXIAL;1nF,10%,50V,Y5P,TP,3		2	L302	2701-000142	INDUCTOR-AXIAL;1uH,10%,2.5x3.4mm	
	2	C505	2202-000825	C-CERAMIC,MLC-AXIAL;680pF,10%,50V,Y5P,TP		2	L404	2701-000142	INDUCTOR-AXIAL;1uH,10%,2.5x3.4mm	
	2	C226	2202-000829	C-CERAMIC,MLC-AXIAL;0.82nF,10%,50V,Y5P,TP		2	L903	2701-000158	INDUCTOR-AXIAL;22uH,10%,2.5x3.4mm	
	2	C707	2301-000204	C-FILM,PEF;2.7nF,5%,50V,TP,7.4x3.9x13mm,		2	L201	2701-000159	INDUCTOR-AXIAL;22uH,10%,4.2x9.8mm	
	2	C502	2301-000213	C-FILM,PEF;220nF,5%,250V,TP,21.5x11,7,5		2	L102	2701-000159	INDUCTOR-AXIAL;22uH,10%,4.2x9.8mm	
	2	C109	2301-000224	C-FILM,PEF;22nF,5%,50V,TP,7.4x3.9x13mm,5		2	L205	2701-000159	INDUCTOR-AXIAL;22uH,10%,4.2x9.8mm	
	2	C804	2301-000224	C-FILM,PEF;22nF,5%,50V,TP,7.4x3.9x13mm,5		2	L405	2701-000159	INDUCTOR-AXIAL;22uH,10%,4.2x9.8mm	
	2	C805	2301-000235	C-FILM,PEF;3.9nF,5%,50V,TP,6.5x3.0x5.5mm		2	L902	2701-000180	INDUCTOR-AXIAL;33uH,5%,2.5x3.4mm	
	2	C309	2301-000254	C-FILM,PEF;39nF,5%,50V,TP,7.5x3.5x6.5mm,		2	L904	2701-000180	INDUCTOR-AXIAL;33uH,5%,2.5x3.4mm	
	2	C606	2301-000111	C-FILM,PEF;1.8nF,5%,50V,TP,6.5x3.0x5.5mm		2	L702	2701-000184	INDUCTOR-AXIAL;4.7uH,10%,2.5x3.4mm	
	2	C217	2301-000342	C-FILM,PEF;2.2nF,5%,50V,TP,7.4x3.9x13mm,		2	L703	2701-000184	INDUCTOR-AXIAL;4.7uH,10%,2.5x3.4mm	
	2	C234	2301-000342	C-FILM,PEF;2.2nF,5%,50V,TP,7.4x3.9x13mm,		2	L704	2701-000184	INDUCTOR-AXIAL;4.7uH,10%,2.5x3.4mm	
	2	C407	2301-000383	C-FILM,PEF;10nF,5%,50V,TP,6x7x3.2mm,5mm		2	L706	2701-000184	INDUCTOR-AXIAL;4.7uH,10%,2.5x3.4mm	
	2	C227	2301-000445	C-FILM,PEF;4.7nF,5%,50V,TP,5.5x7x3mm,5mm		2	X901	2801-003937	CRYSTAL-UNIT;12MHz,25ppm,28-ABAM,30pF,300	
	2	C248	2301-000445	C-FILM,PEF;4.7nF,5%,50V,TP,5.5x7x3mm,5mm		2	L403	2901-000297	FILTER-EMI ON BOARD;-3A,-,3.5x5,TP-	
	2	C420	2301-001065	C-FILM,MPPF;47nF,5%,630V,TP,19x15.5x7.7		2	L806	2901-000297	FILTER-EMI ON BOARD;-3A,-,3.5x5,TP-	
	2	C301	2305-000285	C-FILM,MPEF;220nF,5%,100V,TP,10.5X5.5X15		2	L808	2901-000297	FILTER-EMI ON BOARD;-3A,-,3.5x5,TP-	
	2	C215	2305-000289	C-FILM,MPEF;220nF,5%,63V,TP,-5mm		2	Z202	2903-001040	FILTER-CERAMIC;TR,5.5/6.0/6.5MHz,-1dB-	
	2	C216	2305-000289	C-FILM,MPEF;220nF,5%,63V,TP,-5mm		2	L802	3301-000287	CORE-FERRITE BEAD;AA,3.5x1.0x6.0mm,1500,	
	2	C233	2305-000289	C-FILM,MPEF;220nF,5%,63V,TP,-5mm		2	L803	3301-000287	CORE-FERRITE BEAD;AA,3.5x1.0x6.0mm,1500,	
	2	C611	2305-000289	C-FILM,MPEF;220nF,5%,63V,TP,-5mm		2	J910	3301-000287	CORE-FERRITE BEAD;AA,3.5x1.0x6.0mm,1500,	
	2	C613	2305-000289	C-FILM,MPEF;220nF,5%,63V,TP,-5mm		2	SW901	3404-000244	SWITCH-TACT;15V,20mA,90-170gf,7.5x7mm,SP	



Level	Loc. No.	Code No.	Description ; Specification	Remark	Level	Loc. No.	Code No.	Description ; Specification	Remark
2	EY818	AA60-40011A	K EYELET;ID2.0,OD2.8,BST		2	R421	2008-001013	R-FUSIBLE(S);1.2ohm,5%,2W,AF,TP;3.9x10mm	
2	EY819	AA60-40011A	K EYELET;ID2.0,OD2.8,BST		2	R505	2008-001011	R-FUSIBLE(S);0.18ohm,10%,2W,AF,TP;3.9x10	
2	EY821	AA60-40011A	K EYELET;ID2.0,OD2.8,BST		2	C818	2401-003028	C-AL;100uF;20%,25V,WT,TP;6.3x11.5	
2	EY822	AA60-40011A	K EYELET;ID2.0,OD2.8,BST		2	C821	2401-003028	C-AL;100uF;20%,25V,WT,TP;6.3x11.5	
2	EY823	AA60-40011A	K EYELET;ID2.0,OD2.8,BST		2	J101	2001-000613	R-CARBON;3.9KOHM,5%,1/8W,AA,TP;1.8X3.2M	
2	EY824	AA60-40011A	K EYELET;ID2.0,OD2.8,BST		2	R728	2001-000273	R-CARBON;100KOHM,5%,1/8W,AA,TP;1.8X3.2M	
2	EY825	AA60-40011A	K EYELET;ID2.0,OD2.8,BST		2	R923	2001-000273	R-CARBON;100KOHM,5%,1/8W,AA,TP;1.8X3.2M	
2	EY827	AA60-40011A	K EYELET;ID2.0,OD2.8,BST		2	R840	2001-001122	R-CARBON(S);3.9KOHM,5%,1/2W,AA,TP;2.4X6.	
2	EY828	AA60-40011A	K EYELET;ID2.0,OD2.8,BST		2	C603	2301-000247	C-FILM,PEF;33nF;5%,50V,TP;1.8x4.5x13mm.5	
2	EY829	AA60-40011A	K EYELET;ID2.0,OD2.8,BST		2		0203-001123	TAPE-PAPER;#53131,TO.15,W6.0,L200000,YEL	
2	EY830	AA60-40011A	K EYELET;ID2.0,OD2.8,BST		2	C102	2202-000279	C-CERAMIC,MLC-AXIAL;47pF;5%,50V,SL,TP;3.	
2	EY833	AA60-40011A	K EYELET;ID2.0,OD2.8,BST		2	DZ401	0403-001319	DIODE-ZENER;MTZ;J4.7C,4.68-4.93V,500mW,DO	
2	EY850	AA60-40011A	K EYELET;ID2.0,OD2.8,BST		2	DZ906	0403-001319	DIODE-ZENER;MTZ;J4.7C,4.68-4.93V,500mW,DO	
2	EY851	AA60-40011A	K EYELET;ID2.0,OD2.8,BST		2	DZ907	0403-001319	DIODE-ZENER;MTZ;J4.7C,4.68-4.93V,500mW,DO	
2	EY852	AA60-40011A	K EYELET;ID2.0,OD2.8,BST		2	DZ908	0403-001319	DIODE-ZENER;MTZ;J4.7C,4.68-4.93V,500mW,DO	
2	EY853	AA60-40011A	K EYELET;ID2.0,OD2.8,BST		2	R306	2004-001390	R-METAL(S);1Kohm,2%,1/2W,AA,TP;2.4x6.4mm	
2	EY860	AA60-40011A	K EYELET;ID2.0,OD2.8,BST		△ 2	NT802S	1404-001045	THERMISTOR-NTC;4.7ohm,15%,2900K,35.0mW,T	
2	EY861	AA60-40011A	K EYELET;ID2.0,OD2.8,BST		△ 2	P803S	1404-001156	THERMISTOR-PTC;90HM,+30%/-20%,220Vrms,27	
2	EL301	AA60-40011B	K EYELET;ID2.2,OD3.2,BSP		△ 2	CX801S	2306-000318	C-FILM,MPPF;220nF;20%,250V,TP,-22.5mm	
2	EL302	AA60-40011B	K EYELET;ID2.2,OD3.2,BSP		△ 2	SF101S	2904-001070	FILTER-SAW AV;38.9MHz,SIP5K,TP;14.6dB,B/	
2	EL403	AA60-40011B	K EYELET;ID2.2,OD3.2,BSP		△ 2	T401	AA26-50001B	TRANS-HORIZ DRIVE;-,-,7.1mH,-,-,102uH,	
2	EL404	AA60-40011B	K EYELET;ID2.2,OD3.2,BSP		△ 2	LX801S	AA29-30001D	FILTER LINE NOISE;SQ1913,-.6.0MH,0.8A,-	
2	EL407	AA60-40011B	K EYELET;ID2.2,OD3.2,BSP		△ 2	TU01S	AA40-00076A	TUNER;TECC08949PG35A(S),PAL,181CH,38.	
2	EL408	AA60-40011B	K EYELET;ID2.2,OD3.2,BSP		2	LD901	AA96-00555A	ASSY LED GUIDE;-,-,UJEX-LD-030,GREEN	
2	EL501	AA60-40011B	K EYELET;ID2.2,OD3.2,BSP		2	IC501	AA96-00842A	ASSY H/S;,VIDEO,AA62-30175D,TDA6107Q	
2	EL502	AA60-40011B	K EYELET;ID2.2,OD3.2,BSP		3	IC501	1201-001541	IC-VIDEO AMP;6107,ZSIP;9P,-,SINGLE,-,PLA	
2	EL601	AA60-40011B	K EYELET;ID2.2,OD3.2,BSP		3	SCR501	6003-000334	SCREW-TAPTITE;RH,+2S,M3,L6,ZPC(YEL),SWR	
2	EL602	AA60-40011B	K EYELET;ID2.2,OD3.2,BSP		3	H/S501	AA62-30175D	HEAT SINK-PS;-SECC,T1.0,-.33X15X30 FT-2	
2	EL603	AA60-40011B	K EYELET;ID2.2,OD3.2,BSP		△ 2	V999S	3704-001105	SOCKET-CRT;11P;20PI,26.5PI,NI,-	
2	EL604	AA60-40011B	K EYELET;ID2.2,OD3.2,BSP		2	RM901	AA32-00015A	MODULE REMOCOCN;FRP-3521H31,38KHZ,940MM,M	
2	EL801	AA60-40011B	K EYELET;ID2.2,OD3.2,BSP		△ 2	IC801S	AA96-00845A	ASSY H/S;,POWER,AA62-30186B,KA500765R	
2	EL802	AA60-40011B	K EYELET;ID2.2,OD3.2,BSP		△ 3	IC801	1203-001932	IC-PWM CONTROLLER;SQ0765,T0-220F;5P;185M	
2	EL804	AA60-40011B	K EYELET;ID2.2,OD3.2,BSP		3	SCR801	6003-000333	SCREW-TAPTITE;RH,+2S,M3,L10,ZPC(YEL),SW	
2	GT101	AA60-40014A	PIN-GT,ASSY,AUTO		3	H/S801	AA62-30186B	HEAT SINK-ES;-,-,SILVER,171J+ COVER-H	
2	GT502	AA60-40014A	PIN-GT,ASSY,AUTO		3		HA68-02189A	LABEL-WARNING;33MM,18MM,WHITE	
2	GT802	AA60-40014A	PIN-GT,ASSY,AUTO		3		0205-000129	GREASE-SILICON;SC102,JAPAN	
2	GT803	AA60-40014A	PIN-GT,ASSY,AUTO		△ 2	IC802	AA96-00846A	ASSY H/S;,POWER,AA62-00055A,KA7632	
2	GT804	AA60-40014A	PIN-GT,ASSY,AUTO		△ 3	IC802	1203-001939	IC-POSI.FIXED REG.;7632,SIP;10P,-,PLASTI	
2	GT805	AA60-40014A	PIN-GT,ASSY,AUTO		3	H/S802	AA62-00055A	HEAT SINK-PS;-,-,T1.0,-.35*15*25,D1,-,-	
2	GT806	AA60-40014A	PIN-GT,ASSY,AUTO		3	SCR802	6003-000334	SCREW-TAPTITE;RH,+2S,M3,L6,ZPC(YEL),SWR	
2	GT501	AA60-40014A	PIN-GT,ASSY,AUTO		△ 2	T801S	AA26-00134A	TRANS SWITCHING;,CS21S5T,160V-260V,PM2 P	
2	GT807	AA60-40014A	PIN-GT,ASSY,AUTO		2	IC902	1103-001106	IC-EEPROM;C81DC,1028x8BIT,DIP;9P;300MIL,	
2	R424	2004-001402	R-METAL(S);6.8Kohm,1%,1/2W,AA,TP;2.4x6.4		△ 2	SW801S	3403-001107	SWITCH-PUSH;250V,5A,DPST-,KDC-A04	
2	R423	2004-001373	R-METAL(S);100Kohm,1%,1/2W,AA,TP;2.4x6.4		2	Q401	0502-001160	TR-POWER;2SD2499,NPN,50000mW,TO-3PB,K8	
△ 2	FD801S	3601-001163	FUSE-AXIAL LEAD;125V,7A,-,EPOXY,2.4X7.1M		2	JS701	3722-000183	JACK-SCART;21P4mm,SN,BLK,NO	
△ 2	D807	0402-000493	DIODE-RECTIFIER;1R5GU41,400V,1.5A,DO-15L		2	TOP	AA39-20010D	LEAD CONNECTOR-ASSY;,1PYFH800-01,S,400	
△ 2	D303	0402-000132	DIODE-RECTIFIER;1N4004,400V,1A,DO-41,TP		2	TOP	AA39-20010D	LEAD CONNECTOR-ASSY;,1PYFH800-01,S,400	
△ 2	D809	0402-000132	DIODE-RECTIFIER;1N4004,400V,1A,DO-41,TP		2	CN501	AA39-20620C	LEAD CONNECTOR-ASSY;,9PYBNH205-09,S,500	
2	C115	2202-000632	C-CERAMIC,MLC-AXIAL;100nF;20%,50V,Z5U,TP		2	IC301	AA96-00847A	ASSY H/S;,AA62-00046A,LA7840	
2	C211	2202-000632	C-CERAMIC,MLC-AXIAL;100nF;20%,50V,Z5U,TP		3		1204-001483	IC-VERTICAL PROCCESO;LA7840,SIP;7P;708MI	
2	C911	2202-000632	C-CERAMIC,MLC-AXIAL;100nF;20%,50V,Z5U,TP		3		AA62-00064A	HEAT SINK-PS;DP,-,-,AA62-00046A,-,-,-	
2	C822	2401-000711	C-AL;2200uF;20%,25V,GP,TP;16x25.7.5		3		6003-000334	SCREW-TAPTITE;RH,+2S,M3,L6,ZPC(YEL),SWR	
2	C806	2301-001435	C-FILM,PPF;1.5nF;5%,1.2K,TP;15x8x12.5mm		3		0205-000129	GREASE-SILICON;SC102,JAPAN	
2	C207	2305-000412	C-FILM,MPEF;470nF;5%,63V,TP,-,5mm		2	C801	2401-002219	C-AL;220uF;20%,400V,GPST;25x40,10	
2	C901	2305-000412	C-FILM,MPEF;470nF;5%,63V,TP,-,5mm		△ 2	T444S	AA26-00116A	TRANS FBT;FSV-14A004H(S),CT15A8,3.24MH,1	
2	HIC01	AA13-20004W	IC HYBRID;-,-,PAP103T,SIP;6P;PRE-AMP,TP		2	SUB	AA98-00079A	ASSY SUB PART;KS1A,MAIN(OPT),PAL,-	
2	RW701	2011-001133	R-NETWORK;33K/24K/75x3.5%,1/8W,X,SIP6P,		3		0202-000008	SOLDER-WIRE;S63S-W3.0,S63S,D3.63Sn/37Pb,	
2	R303	2008-001133	R-FUSIBLE(S);0.75ohm,5%,2W,AF,TP;3.9x10m		3		0202-000187	SOLDER-WIRE FLUX;-RS60S,D1.2,63Sn/37Pb	
2	PCB	AA41-00131G	PCB-MAIN;CS2139,FR-1,1L,G,1.6T,245X245,K		3		0204-000442	SOLVENT;1M-1000,C3H7OH,96,-	
2	C702	2202-000210	C-CERAMIC,MLC-AXIAL;270pF;10%,50V,Y5P,TP		3		0204-001024	FLUX;DF-98TVS,-20%,-	
2	R413	2003-001035	R-METAL OXIDE(S);27ohm,5%,2W,AF,TP;3.9x1		△ 2	CR410S	2303-001015	C-FILM,PPF;5.5nF;5%,1.6kV,TP;29x9.5x17.2	
△ 2	FP801S	3601-000281	FUSE-CARTRIDGE;250V,4A,TIME-LAG,GLASS,5.		2	IC602	AA96-00848A	ASSY H/S;,SOUND,AA62-30175D,TDA8943	
2	L101	2701-000171	INDUCTOR-AXIAL;330nH,10%,2.5x3.4mm		3	SCR602	6003-000334	SCREW-TAPTITE;RH,+2S,M3,L6,ZPC(YEL),SWR	
2	L807	2701-001030	INDUCTOR-AXIAL;43uH,10%,5x14mm		3	H/S602	AA62-30175D	HEAT SINK-PS;-SECC,T1.0,-.33X15X30 FT-2	
2	L804	2701-001030	INDUCTOR-AXIAL;43uH,10%,5x14mm		3	IC601	1201-001740	IC-AUDIO AMP;TDA8943,SIL,9P850MIL,SINGL	
2	C403	2401-000560	C-AL;1uF;20%,160V,GP,TP;6.3x11.5		2	CN601	3711-002642	CONNECTOR-HEADER;BOX,3P;1R,2.5mm,STRAIGH	
2	C615	2202-000253	C-CERAMIC,MLC-AXIAL;4.7nF;20%,16V,Y5R,TP		2	LW01	AA27-40001M	COIL HORIZ WIDTH;-,-,180/480uH,SB-556202.	
△ 2	D804	0401-000006	DIODE SWITCHING;BAV21,250V,250mA,DO-35,T		△ 2	CY801S	2201-000446	C-CERAMIC,DISC;3.3nF;20%,400V,Y5U,TP;15x	
△ 2	D805	0402-001470	DIODE-RECTIFIER;RUZB21,800V,1A,DO-204AC,		△ 2	CR402S	2306-000350	C-FILM,MPPF;270nF;5%,400V,TP;26X18.5X10M	
2	R808	2001-001138	R-CARBON(S);390OHM,5%,1/2W,AA,TP;2.4X6.4		△ 2	LR401S	AA27-30001B	COIL LINEARITY;-,-,195uH,QIC1010,PIO.4.4.5	
2	R831	2001-001088	R-CARBON(S);1KOHM,5%,1/2W,AA,TP;2.4X6.4M		△ 2	IC201S	AA09-00270A	IC MICOM;TDA9351/N2/3,SPM-802EW2,64P;3.3	
2	L104	2701-000168	INDUCTOR-AXIAL;3.3uH,5%,2.5x3.4mm		2	CN401	AA60-40012D	PIN-GT,ASSY;T1.6-12.5-.NYLON66	
2	L204	2701-000168	INDUCTOR-AXIAL;3.3uH,5%,2.5x3.4mm		2	CN703	3711-002646	CONNECTOR-HEADER;BOX,7P;1R,2.5mm,STRAIGH	
2	C203	2401-002462	C-AL;33uF;20%,16V,GP,TP;5x11.5						
2	R811	2003-002239	R-METAL OXIDE(S);100KOHM,5%,2W,AF,TP;3.9						
2	R812	2003-002239	R-METAL OXIDE(S);100KOHM,5%,2W,AF,TP;3.9						
2	R302	2004-004969	R-METAL(S);1.1Kohm,1%,1/2W,AA,TP;2.4x6.4						



Level	Loc. No.	Code No.	Description ; Specification	Remark
<b>ASSY PCB MISC-A/V SIDE</b>				
1		AA94-12271B	ASSY PCB MISC-A/V SIDE;21F3,PAL	
2	AV+CF	6003-001023	SCREW-TAPTITE;RWH,+,B,M3,L10,ZPC(YEL),SW	
2		AA63-10002A	BAND-TIE;NYLON66 V2,L100,NTR	
2		AA61-01234A	HOLDER-AV;21F3,HIPS HB,G4309,SV012P	
2		AA64-03080B	INLAY-AV;21F3,PS SHEET,TO.3,BLK,KS1A,SIL	
2		AA63-00632A	COVER-AV;21F3,HIPS,HB,BLK	
2		6003-000334	SCREW-TAPTITE;RH,+,2S,M3,L6,ZPC(YEL),SWR	
1		AA92-07438A	ASSY BOX;21F3,SEH	
2		AA69-01845B	PACKING CASE;21F3,D-2 BB,A1,YEL,SEH	
2		HA68-02178A	LABEL-BOX;250MM,89MM,WHITE	
2		HA83-00046A	LP-TAPE INK;,WIDTH 105 MM	

**ASSY ETC-A/V SIDE**

1		AA95-03124A	ASSY ETC-A/V SIDE;,20F3-21F3,KS1A	
2		0202-000008	SOLDER-WIRE;S63S-W3.0,S63S,D3,63Sn/37Pb,	
2		0202-000187	SOLDER-WIRE FLUX;-,RS60S,D1.2,63Sn/37Pb	
2		0204-000442	SOLVENT;1M-1000,C3H7OH,96,-	
2		0204-001024	FLUX;DF-98TVS,-,20%,-	
2	JA701	3722-001041	JACK-RCA;1P;3.4MM,#16-22,AU	
2	JA702	3722-001042	JACK-RCA;1P;3.4MM,#16-22,AU	
2	CN702	AA39-20070A	LEAD CONNECTOR-ASSY;7P;YBNH025-07,67096	
2	CE04	2202-000121	C-CERAMIC,MLC-AXIAL;100pF,10%,50V,Y5P,TP	
2	LE04	2701-000114	INDUCTOR-AXIAL;10uH,10%,2.5x3.4mm	
2	PCB	AA41-00751A	PCB-A/V SIDE;CS21F3,FR-1,1L,A,1.6T,245X2	

**ASSY CRT**

1		AA94-05859A	ASSY CRT;A51EER31X,+400MG,21	
2	△	AA03-00279A	CRT COLOR;A51EER33X,+380MG,2.07MH,21.0MH	
2		AA27-20003Z	COIL DEGAUSSING;-,21,13.5ohm,25T,L2380,E	
2		AA63-10002A	BAND-TIE;NYLON66 V2,L100,NTR	
2		AA98-70030A	ASSY TBC WIRE(P);DP;21,AA98-70014C,1P,TV	
2		AA65-30107A	CLAMPER CORE-D,COIL;20-22 INCH,NYLON 66,	

**ASSY COVER FRONT**

1		AA90-04455A	ASSY COVER FRONT;21F3,SEH	
2		AA96-01258A	ASSY COVER P-FRONT;21F3,HIPS HB,SV012P S	
3		AA64-03005B	CABINET-FRONT;21F3,HIPS,HB,G4309,SV012P	
4		HA83-00021A	LP-MARKING PAINT;,WHITE,TPC180	
4		HA83-00040A	LP-MARKING PAINT;,METALLIC SILVER,SV-012	
4		HA83-00011A	LP-RESIN;M BATCH,WILSON 6007-GY-60,GRY	
4		HA83-00006A	LP-RESIN HIPS;,BASF495F,NTR,HB	
3		AA64-03009A	KNOB-CONTROL;21F3,ABS,HB,G3676,SVM-3012	
4		HA83-00040A	LP-MARKING PAINT;,METALLIC SILVER,SV-012	
4		HA83-00006A	LP-RESIN HIPS;,BASF495F,NTR,HB	
4		HA83-00011A	LP-RESIN;M BATCH,WILSON 6007-GY-60,GRY	
3		AA64-03010A	KNOB-POWER;21F3,ABS,HB,G3676,SVM-3012	
4		HA83-00040A	LP-MARKING PAINT;,METALLIC SILVER,SV-012	
4		HA83-00006A	LP-RESIN HIPS;,BASF495F,NTR,HB	
4		HA83-00011A	LP-RESIN;M BATCH,WILSON 6007-GY-60,GRY	
3		AA64-03013A	WINDOW-RMC,LED;21F3,ACRYL,CLR	
4		HA83-00009A	LP-RESIN PC;,LEXAN 121R,VIOLET	
3		AA65-30105A	CLAMPER CORE-WIRE;ALL MODEL,NYLON 66,V2,	
3		HA83-00049A	LP-ADHESIVE-HM;12MM,NTR	
3		AA64-70127F	BADGE-BRAND;NEW,AL,-,L40,R800,SILVER,S	
3		AA61-60003J	SPRING ETC-CS;-,SUS304,-,OD6,N7,OD6,-,	
3	KC+CF	6003-001019	SCREW-TAPTITE;RH,+,B,M4,L12,ZPC(BLK),SWR	
3	WR+CF	6003-001019	SCREW-TAPTITE;RH,+,B,M4,L12,ZPC(BLK),SWR	
3	SPK+CF	6003-001019	SCREW-TAPTITE;RH,+,B,M4,L12,ZPC(BLK),SWR	
3		AA96-01188A	ASSY HOLDER SPK;160HM,3001-001008,AA39-2	
4		AA39-20500G	LEAD CONNECTOR-ASSY;3(2),67096-003,REC,	
4		3001-001008	SPEAKER;5W,16ohm,90dB,180Hz	
3		AA61-40113A	STOPPER-PCB;501H,HIPS,-,HB,NTR,-	

Level	Loc. No.	Code No.	Description ; Specification	Remark
3		HA61-00721B	HOLDER-RAIL;21F5,HIPS,HB,GRY	
4		HA83-00006A	LP-RESIN HIPS;,BASF495F,NTR,HB	
4		HA83-00011A	LP-RESIN;M BATCH,WILSON 6007-GY-60,GRY	
2	qms	HA83-00052A	LP-TAPE-INK;,WIDTH 55 MM	
2	rating	HA83-00052A	LP-TAPE-INK;,WIDTH 55 MM	
2		HA68-02177B	LABEL-PQS;ALL,30MM,65MM,WHITE,AA68-02177	
2		AA65-30018A	CLAMPER CORE-WIRE;DONG-A,NYLON-66,-,-,-,	
2		HA68-02179A	LABEL-RATING;58MM,53MM,WHITE	

**ASSY COVER REAR**

1		AA90-04456A	ASSY COVER REAR;21F3,SEH	
2		AA64-03006A	CABINET-BACK;21F3,HIPS,FV2,G4309	
3		AA81-00096A	RESIN-A-VL-1823,G5433,A	
3		HA83-00011A	LP-RESIN;M BATCH,WILSON 6007-GY-60,GRY	
2	CB+CF	6002-000515	SCREW-TAPPING;RH,+,2,M4,L15,ZPC(WHT),SWR	
2		AA65-30008A	CLAMPER CORE-CORD;-,PE,HB,-,BLK,-	
2		AA65-30110A	CLAMPER CORE-WIRE;ALL MODEL,NYLON 66,V2,	

**ASSY ACCESSORY**

1		AA94-05765A	ASSY ACCESSORY;20-21,KS1A,XEC	
2		HA68-02125A	LABEL-A/P120(G),70,69,ALLXEC,BLAC	
2		4301-000120	BATTERY-MN;1.5V,-,AA,14.5x50mm,-	
2		HA83-00047A	LP-TAPEACETATE;TO.1MM,W20MM,L200MM	
2		HA69-00276A	BAG VINYL;HDPE,TO.025,L400,W240,-,W/O LO	
2		HA68-00336B	CARD-WARRANTYA/P100(G),A5,NEW VERSION,I	

**REMOCON**

1		AA59-00104N	REMOCON;TM59,SIM806E,Z9,L/GRAY,TTX/MO	
---	--	-------------	---------------------------------------	--

**ASSY POWER CORD**

1	△	P/CORD	AA96-01126A	ASSY POWER CORD;DPA39-10001G,CP2,H/C25
2			AA39-10001G	CBF POWER CORD;-,KKP-419C,KLCE-2F2.286m
2			AA61-20284A	HOLDER;P-CORD,PP,-,-,BLK,VO,KE-002

**ASSY P/MATERIAL**

1		AA92-07440A	ASSY P/MATERIAL;21F3	
2		AA60-40006A	PIN-STAPLE;AUTO,33X17.8X2.4,H18,33X17.8X	
2		AA69-01799A	CUSHION SET;21F3,PS FOAMED,C=0.02	
2		AA69-00744C	BAG-SHEET;-,HDPE PE FOAM,TO.015,W1050,H9	

### 7-3 CB21F32ZSXXEC

Level	Loc. No.	Code No.	Description ; Specification	Remark	Level	Loc. No.	Code No.	Description ; Specification	Remark
<b>ASSY PCB MAIN</b>									
1		AA94-12440A	ASSY PCB MAIN;CB21F32ZSXXEC,21F3,XEC		2	J125	2001-000016	R-CARBON(S);10HM,5%,1/2W,AA,TP2.4X6.4MM	
2		HA68-02176A	LABEL,LABEL		2	R843	2001-000019	R-CARBON(S);100HM,5%,1/2W,AA,TP2.4X6.4M	
2	D201	0401-000005	DIODE-SWITCHING;1N4148,100V,200mA,DO-35,		2	R618	2001-000019	R-CARBON(S);100HM,5%,1/2W,AA,TP2.4X6.4M	
△	D811	0401-000005	DIODE-SWITCHING;1N4148,100V,200mA,DO-35,		2	R409	2001-000022	R-CARBON(S);330HM,5%,1/2W,AA,TP2.4X6.4M	
△	D801S	0402-001111	DIODE-RECTIFIER;1N5397GP,600V,1.5A,DO-20		2	R823	2001-000037	R-CARBON(S);330HM,5%,1/2W,AA,TP2.4X6.4	
△	D802S	0402-001111	DIODE-RECTIFIER;1N5397GP,600V,1.5A,DO-20		2	R902	2001-000241	R-CARBON;1.5KOHM,5%,1/8W,AA,TP1.8X3.2M	
△	D803S	0402-001111	DIODE-RECTIFIER;1N5397GP,600V,1.5A,DO-20		2	R904	2001-000241	R-CARBON;1.5KOHM,5%,1/8W,AA,TP1.8X3.2M	
△	D804S	0402-001111	DIODE-RECTIFIER;1N5397GP,600V,1.5A,DO-20		2	R211	2001-000281	R-CARBON;100OHM,5%,1/8W,AA,TP1.8X3.2MM	
△	D501	0402-000254	DIODE-RECTIFIER;RGP10J,600V,1A,DO-41,TP		2	R215	2001-000281	R-CARBON;100OHM,5%,1/8W,AA,TP1.8X3.2MM	
△	D803	0402-000254	DIODE-RECTIFIER;RGP10J,600V,1A,DO-41,TP		2	R223	2001-000281	R-CARBON;100OHM,5%,1/8W,AA,TP1.8X3.2MM	
2	D301	0402-001105	DIODE-RECTIFIER;ERB43-04SV1,400V,1.0A,-		2	R501	2001-000281	R-CARBON;100OHM,5%,1/8W,AA,TP1.8X3.2MM	
2	D304	0402-001105	DIODE-RECTIFIER;ERB43-04SV1,400V,1.0A,-		2	R506	2001-000281	R-CARBON;100OHM,5%,1/8W,AA,TP1.8X3.2MM	
△	D401	0402-001105	DIODE-RECTIFIER;ERB43-04SV1,400V,1.0A,-		2	R510	2001-000281	R-CARBON;100OHM,5%,1/8W,AA,TP1.8X3.2MM	
2	D502	0402-001105	DIODE-RECTIFIER;ERB43-04SV1,400V,1.0A,-		2	R511	2001-000281	R-CARBON;100OHM,5%,1/8W,AA,TP1.8X3.2MM	
2	D503	0402-001105	DIODE-RECTIFIER;ERB43-04SV1,400V,1.0A,-		2	R512	2001-000281	R-CARBON;100OHM,5%,1/8W,AA,TP1.8X3.2MM	
2	D504	0402-001105	DIODE-RECTIFIER;ERB43-04SV1,400V,1.0A,-		2	R909	2001-000281	R-CARBON;100OHM,5%,1/8W,AA,TP1.8X3.2MM	
△	D812	0402-001105	DIODE-RECTIFIER;ERB43-04SV1,400V,1.0A,-		2	R911	2001-000281	R-CARBON;100OHM,5%,1/8W,AA,TP1.8X3.2MM	
2	D302	0402-001352	DIODE-RECTIFIER;GUF15G-20A,400V,1.5A,DO-		2	R912	2001-000281	R-CARBON;100OHM,5%,1/8W,AA,TP1.8X3.2MM	
2	DZ402	0403-000508	DIODE-ZENER;MTZJ5.6B,5.6V,5.45-5.73V,500		2	R913	2001-000281	R-CARBON;100OHM,5%,1/8W,AA,TP1.8X3.2MM	
2	DZ807	0403-000508	DIODE-ZENER;MTZJ5.6B,5.6V,5.45-5.73V,500		2	R914	2001-000281	R-CARBON;100OHM,5%,1/8W,AA,TP1.8X3.2MM	
2	DZ810	0403-000508	DIODE-ZENER;MTZJ5.6B,5.6V,5.45-5.73V,500		2	J137	2001-000281	R-CARBON;100OHM,5%,1/8W,AA,TP1.8X3.2MM	
2	DZ903	0403-000508	DIODE-ZENER;MTZJ5.6B,5.6V,5.45-5.73V,500		2	R718	2001-000281	R-CARBON;100OHM,5%,1/8W,AA,TP1.8X3.2MM	
2	DZ904	0403-000508	DIODE-ZENER;MTZJ5.6B,5.6V,5.45-5.73V,500		2	R933	2001-000281	R-CARBON;100OHM,5%,1/8W,AA,TP1.8X3.2MM	
2	DZ905	0403-000508	DIODE-ZENER;MTZJ5.6B,5.6V,5.45-5.73V,500		2	R934	2001-000281	R-CARBON;100OHM,5%,1/8W,AA,TP1.8X3.2MM	
2	DZ901	0403-000508	DIODE-ZENER;MTZJ5.6B,5.6V,5.45-5.73V,500		2	R213	2001-000281	R-CARBON;100OHM,5%,1/8W,AA,TP1.8X3.2MM	
2	DZ101	0403-000700	DIODE-ZENER;TZP33A,33V,31-35V,1W,DO-41,T		2	R224	2001-000290	R-CARBON;10KOHM,5%,1/8W,AA,TP1.8X3.2MM	
2	DZ303	0403-000700	DIODE-ZENER;TZP33A,33V,31-35V,1W,DO-41,T		2	R828	2001-000290	R-CARBON;10KOHM,5%,1/8W,AA,TP1.8X3.2MM	
2	DZ803	0403-000700	DIODE-ZENER;TZP33A,33V,31-35V,1W,DO-41,T		2	R910	2001-000290	R-CARBON;10KOHM,5%,1/8W,AA,TP1.8X3.2MM	
2	DZ201	0403-000720	DIODE-ZENER;MTZJ9.1B,9.1V,8.57-9.01V,500		2	R920	2001-000290	R-CARBON;10KOHM,5%,1/8W,AA,TP1.8X3.2MM	
2	DZ204	0403-000720	DIODE-ZENER;MTZJ9.1B,9.1V,8.57-9.01V,500		2	R922	2001-000290	R-CARBON;10KOHM,5%,1/8W,AA,TP1.8X3.2MM	
2	DZ205	0403-000720	DIODE-ZENER;MTZJ9.1B,9.1V,8.57-9.01V,500		2	R921	2001-000290	R-CARBON;10KOHM,5%,1/8W,AA,TP1.8X3.2MM	
2	DZ207	0403-000720	DIODE-ZENER;MTZJ9.1B,9.1V,8.57-9.01V,500		2	R919	2001-000290	R-CARBON;10KOHM,5%,1/8W,AA,TP1.8X3.2MM	
2	DZ501	0403-000720	DIODE-ZENER;MTZJ9.1B,9.1V,8.57-9.01V,500		2	R709	2001-000290	R-CARBON;10KOHM,5%,1/8W,AA,TP1.8X3.2MM	
2	DZ502	0403-000720	DIODE-ZENER;MTZJ9.1B,9.1V,8.57-9.01V,500		2	R230	2001-000290	R-CARBON;10KOHM,5%,1/8W,AA,TP1.8X3.2MM	
2	DZ503	0403-000720	DIODE-ZENER;MTZJ9.1B,9.1V,8.57-9.01V,500		2	R225	2001-001035	R-CARBON;910HM,5%,1/8W,AA,TP1.8X3.2MM	
2	DZ504	0403-000720	DIODE-ZENER;MTZJ9.1B,9.1V,8.57-9.01V,500		2	R918	2001-000429	R-CARBON;1KOHM,5%,1/8W,AA,TP1.8X3.2MM	
2	DZ704	0403-000720	DIODE-ZENER;MTZJ9.1B,9.1V,8.57-9.01V,500		2	R926	2001-000429	R-CARBON;1KOHM,5%,1/8W,AA,TP1.8X3.2MM	
2	DZ808	0403-000720	DIODE-ZENER;MTZJ9.1B,9.1V,8.57-9.01V,500		2	R210	2001-000429	R-CARBON;1KOHM,5%,1/8W,AA,TP1.8X3.2MM	
2	DZ306	0403-000720	DIODE-ZENER;MTZJ9.1B,9.1V,8.57-9.01V,500		2	R723	2001-000429	R-CARBON;1KOHM,5%,1/8W,AA,TP1.8X3.2MM	
2	DZ307	0403-000720	DIODE-ZENER;MTZJ9.1B,9.1V,8.57-9.01V,500		2	R721	2001-000429	R-CARBON;1KOHM,5%,1/8W,AA,TP1.8X3.2MM	
2	DZ701	0403-000720	DIODE-ZENER;MTZJ9.1B,9.1V,8.57-9.01V,500		2	R916	2001-000449	R-CARBON;2.2KOHM,5%,1/8W,AA,TP1.8X3.2M	
2	DZ702	0403-000720	DIODE-ZENER;MTZJ9.1B,9.1V,8.57-9.01V,500		2	R917	2001-000449	R-CARBON;2.2KOHM,5%,1/8W,AA,TP1.8X3.2M	
2	DZ703	0403-000720	DIODE-ZENER;MTZJ9.1B,9.1V,8.57-9.01V,500		2	R220	2001-000472	R-CARBON;2.7KOHM,5%,1/8W,AA,TP1.8X3.2M	
2	DZ801	0403-001140	DIODE-ZENER;RD10ESAB-T4,10V,9.19-10.30V,		2	R901	2001-000472	R-CARBON;2.7KOHM,5%,1/8W,AA,TP1.8X3.2M	
2	DZ302	0403-001221	DIODE-ZENER;UZ398SB,35.36-37.19V,500mW,D		2	R903	2001-000472	R-CARBON;2.7KOHM,5%,1/8W,AA,TP1.8X3.2M	
2	DZ806	0403-001317	DIODE-ZENER;MTZJ3.0B,3.01-3.22V,500mW,DO		2	R907	2001-000472	R-CARBON;2.7KOHM,5%,1/8W,AA,TP1.8X3.2M	
2	DZ802	0403-001318	DIODE-ZENER;MTZJ4.3B,4.17-4.43V,500mW,DO		2	R214	2001-000490	R-CARBON;200OHM,5%,1/8W,AA,TP1.8X3.2MM	
2	DZ203	0403-001322	DIODE-ZENER;MTZJ8.2B,7.78-8.19V,500mW,DO		2	R206	2001-000563	R-CARBON;27KOHM,5%,1/8W,AA,TP1.8X3.2MM	
2	DZ805	0403-001327	DIODE-ZENER;MTZJ18A,16.22-17.06V,500mW,D		2	R829	2001-000563	R-CARBON;27KOHM,5%,1/8W,AA,TP1.8X3.2MM	
2	DZ301	0403-001328	DIODE-ZENER;MTZJ22A,20.15-21.20V,500mW,D		2	R929	2001-000563	R-CARBON;27KOHM,5%,1/8W,AA,TP1.8X3.2MM	
2	DZ305	0403-001328	DIODE-ZENER;MTZJ22A,20.15-21.20V,500mW,D		2	R208	2001-000591	R-CARBON;3.3KOHM,5%,1/8W,AA,TP1.8X3.2M	
2	Q201	0501-000283	TR-SMALL SIGNAL;KSA539,PNP,400mW,TO-92,T		2	R202	2001-000689	R-CARBON;390KOHM,5%,1/8W,AA,TP1.8X3.2M	
2	Q901	0501-000283	TR-SMALL SIGNAL;KSA539,PNP,400mW,TO-92,T		2	R925	2001-000734	R-CARBON;4.7KOHM,5%,1/8W,AA,TP1.8X3.2M	
2	Q402	0501-000369	TR-SMALL SIGNAL;KSC2331-Y,NPN,1000mW,TO-		2	R841	2001-000734	R-CARBON;4.7KOHM,5%,1/8W,AA,TP1.8X3.2M	
2	Q202	0501-000389	TR-SMALL SIGNAL;KSC815,NPN,400mW,TO-92,T		2	R601	2001-000734	R-CARBON;4.7KOHM,5%,1/8W,AA,TP1.8X3.2M	
2	Q205	0501-000389	TR-SMALL SIGNAL;KSC815,NPN,400mW,TO-92,T		2	R227	2001-000739	R-CARBON;4.7MOHM,5%,1/8W,AA,TP1.8X3.2M	
2	Q701	0501-000389	TR-SMALL SIGNAL;KSC815,NPN,400mW,TO-92,T		2	R228	2001-000739	R-CARBON;4.7MOHM,5%,1/8W,AA,TP1.8X3.2M	
2	Q903	0501-000389	TR-SMALL SIGNAL;KSC815,NPN,400mW,TO-92,T		2	R109	2001-000786	R-CARBON;47KOHM,5%,1/8W,AA,TP1.8X3.2MM	
2	Q905	0501-000389	TR-SMALL SIGNAL;KSC815,NPN,400mW,TO-92,T		2	R724	2001-000786	R-CARBON;47KOHM,5%,1/8W,AA,TP1.8X3.2MM	
2	Q704	0501-000389	TR-SMALL SIGNAL;KSC815,NPN,400mW,TO-92,T		2	R725	2001-000786	R-CARBON;47KOHM,5%,1/8W,AA,TP1.8X3.2MM	
△	VX801S	1405-000187	VARISTOR;750V,1250A,12.5x7mm,TP		2	R726	2001-000786	R-CARBON;47KOHM,5%,1/8W,AA,TP1.8X3.2MM	
2	R207	2001-000005	R-CARBON;390ohm,5%,1/8W,AA,TP1.8x3.2mm		2	R727	2001-000786	R-CARBON;47KOHM,5%,1/8W,AA,TP1.8X3.2MM	
2	R905	2001-000005	R-CARBON;390ohm,5%,1/8W,AA,TP1.8x3.2mm		2	R209	2001-000793	R-CARBON;47OHM,5%,1/8W,AA,TP1.8X3.2MM	
2	R906	2001-000005	R-CARBON;390ohm,5%,1/8W,AA,TP1.8x3.2mm		2	R927	2001-000793	R-CARBON;47OHM,5%,1/8W,AA,TP1.8X3.2MM	
2	R218	2001-000008	R-CARBON;15KOHM,5%,1/8W,AA,TP1.8X3.2MM		2	R203	2001-000857	R-CARBON;560OHM,5%,1/8W,AA,TP1.8X3.2MM	
2	R602	2001-000008	R-CARBON;15KOHM,5%,1/8W,AA,TP1.8X3.2MM		2	R204	2001-000857	R-CARBON;560OHM,5%,1/8W,AA,TP1.8X3.2MM	
2	R205	2001-000011	R-CARBON;75KOHM,5%,1/8W,AA,TP1.8X3.2MM		2	R713	2001-000857	R-CARBON;560OHM,5%,1/8W,AA,TP1.8X3.2MM	
2	R301	2001-000016	R-CARBON(S);10HM,5%,1/2W,AA,TP2.4X6.4MM		2	R715	2001-000857	R-CARBON;560OHM,5%,1/8W,AA,TP1.8X3.2MM	
					2	R110	2001-000924	R-CARBON;680OHM,5%,1/8W,AA,TP1.8X3.2MM	
					2	R915	2001-000924	R-CARBON;680OHM,5%,1/8W,AA,TP1.8X3.2MM	

Electrical Parts List

Level	Loc. No.	Code No.	Description ; Specification	Remark	Level	Loc. No.	Code No.	Description ; Specification	Remark
2	R722	2001-000924	R-CARBON;680OHM,5%,1/8W,AA,TP,1.8X3.2MM		2	C613	2305-000289	C-FILM,MPEF;220nF,5%,63V,TP,-5mm	
2	R108	2001-000947	R-CARBON;7.5KOHM,5%,1/8W,AA,TP,1.8X3.2M		△ 2	CR405S	2305-000382	C-FILM,MPEF;4.7nF,5%,400V,TP,-5mm	
2	R222	2001-000947	R-CARBON;7.5KOHM,5%,1/8W,AA,TP,1.8X3.2M		2	C103	2305-000665	C-FILM,MPEF;100nF,5%,63V,TP,7.5x4.0x5.0m	
2	R702	2001-000969	R-CARBON;750HM,5%,1/8W,AA,TP,1.8X3.2MM		2	C208	2305-000665	C-FILM,MPEF;100nF,5%,63V,TP,7.5x4.0x5.0m	
2	R719	2001-000969	R-CARBON;750HM,5%,1/8W,AA,TP,1.8X3.2MM		2	C210	2305-000665	C-FILM,MPEF;100nF,5%,63V,TP,7.5x4.0x5.0m	
2	R720	2001-000969	R-CARBON;750HM,5%,1/8W,AA,TP,1.8X3.2MM		2	C230	2305-000665	C-FILM,MPEF;100nF,5%,63V,TP,7.5x4.0x5.0m	
2	R408	2001-001037	R-CARBON(S);0.390HM,5%,1/2W,AA,TP,2.4X6.4		2	C803	2305-000665	C-FILM,MPEF;100nF,5%,63V,TP,7.5x4.0x5.0m	
2	R504	2001-001062	R-CARBON(S);10MOHM,5%,1/2W,AA,TP,2.4X6.4		2	C819	2305-000665	C-FILM,MPEF;100nF,5%,63V,TP,7.5x4.0x5.0m	
2	R414	2001-001078	R-CARBON(S);15KOHM,5%,1/2W,AA,TP,2.4X6.4		2	C913	2305-000665	C-FILM,MPEF;100nF,5%,63V,TP,7.5x4.0x5.0m	
2	R806	2001-001108	R-CARBON(S);22KOHM,5%,1/2W,AA,TP,2.4X6.4		2	C218	2305-000665	C-FILM,MPEF;100nF,5%,63V,TP,7.5x4.0x5.0m	
2	R411	2001-001114	R-CARBON(S);270OHM,5%,1/2W,AA,TP,2.4X6.4		2	C204	2305-000665	C-FILM,MPEF;100nF,5%,63V,TP,7.5x4.0x5.0m	
2	R405	2001-001116	R-CARBON(S);270HM,5%,1/2W,AA,TP,2.4X6.4M		2	C205	2305-000665	C-FILM,MPEF;100nF,5%,63V,TP,7.5x4.0x5.0m	
2	R809	2001-001150	R-CARBON(S);470KOHM,5%,1/2W,AA,TP,2.4X6.4		2	C231	2305-000665	C-FILM,MPEF;100nF,5%,63V,TP,7.5x4.0x5.0m	
2	R810	2001-001150	R-CARBON(S);470KOHM,5%,1/2W,AA,TP,2.4X6.4		2	C618	2305-000665	C-FILM,MPEF;100nF,5%,63V,TP,7.5x4.0x5.0m	
2	R501H	2002-001008	R-COMPOSITION;1.8Kohm,10%,1/2W,AA,TP,3.7		2	C225	2309-000138	C-FILM,PE-PPF;100nF,5%,50V,TP,20x16x8.5,	
2	R502H	2002-001008	R-COMPOSITION;1.8Kohm,10%,1/2W,AA,TP,3.7		2	C812	2401-000262	C-AL;100uF,20%,160V,HR,TP,16x25,7.5	
2	R503	2002-001008	R-COMPOSITION;1.8Kohm,10%,1/2W,AA,TP,3.7		2	C817	2401-000302	C-AL;100uF,20%,25V,GP,TP,6.3x11.5	
△ 2	RX801S	2002-001011	R-COMPOSITION;3.3Mohm,5%,1/2W,AA,TP,3.7x		2	C823	2401-000302	C-AL;100uF,20%,25V,GP,TP,6.3x11.5	
△ 2	RY801S	2002-001012	R-COMPOSITION;8.2Mohm,5%,1/2W,AA,TP,3.7x		2	C915	2401-000302	C-AL;100uF,20%,25V,GP,TP,6.3x11.5	
2	R827	2003-000652	R-METAL OXIDE(S);330ohm,5%,2W,AF,TP,4x12		2	C307	2401-000360	C-AL;100uF,20%,50V,GP,TP,8x11.5,5	
2	R315	2003-000652	R-METAL OXIDE(S);330ohm,5%,2W,AF,TP,4x12		2	C308	2401-000360	C-AL;100uF,20%,50V,GP,TP,8x11.5,5	
2	R316	2003-000652	R-METAL OXIDE(S);330ohm,5%,2W,AF,TP,4x12		2	C506	2401-000430	C-AL;10uF,20%,250V,GP,TP,10x16mm,5m	
2	R403	2003-000784	R-METAL OXIDE(S);7.5Kohm,5%,2W,AF,TP,4x1		2	C820	2401-000480	C-AL;10uF,20%,50V,GP,TP,5x11.5	
2	R834	2003-001040	R-METAL OXIDE(S);47Kohm,5%,2W,AF,TP,3.9x		2	C612	2401-000480	C-AL;10uF,20%,50V,GP,TP,5x11.5	
2	R801	2003-002171	R-METAL OXIDE(S);150ohm,5%,2W,AG,TP,3.9x		2	C604	2401-000480	C-AL;10uF,20%,50V,GP,TP,5x11.5	
2	R402	2003-002178	R-METAL OXIDE(S);1Kohm,5%,2W,AG,TP,3.9x1		2	C219	2401-000603	C-AL;1uF,20%,50V,GP,TP,5x11.5	
2	R407	2003-002209	R-METAL OXIDE(S);47Kohm,5%,2W,AG,TP,3.9X		2	C122	2401-000660	C-AL;2.2uF,20%,50V,GP,TP,5x11.5	
2	R219	2004-001914	R-METAL;39Kohm,2%,1/8W,AA,TP,1.8x3.5mm		2	C221	2401-000660	C-AL;2.2uF,20%,50V,GP,TP,5x11.5	
2	R817	2004-004089	R-METAL(S);123Kohm,1%,1/2W,AA,TP,2.5x6.5		2	C605	2401-000660	C-AL;2.2uF,20%,50V,GP,TP,5x11.5	
2	R304	2008-000253	R-FUSIBLE(S);0.47ohm,5%,1W,AF,TP,3.9x10m		2	C222	2401-000758	C-AL;220nF,20%,50V,GP,TP,5x11.5	
2	R305	2008-000253	R-FUSIBLE(S);0.47ohm,5%,1W,AF,TP,3.9x10m		2	C827	2401-000927	C-AL;22uF,20%,250V,GP,TP,13x20,5	
2	R825	2008-000266	R-FUSIBLE(S);1ohm,5%,2W,AF,TP,3.9x10mm		2	C110	2401-000962	C-AL;22uF,20%,50V,GP,TP,5x11.5	
2	R824	2008-000294	R-FUSIBLE(S);33ohm,5%,2W,AF,TP,3.9x10mm		2	C101	2401-001101	C-AL;330uF,20%,16V,GP,TP,8x11.5,5	
2	R420	2008-001110	R-FUSIBLE(S);68ohm,5%,2W,AG,TP,3.9X12mm		2	C802	2401-001192	C-AL;33uF,20%,50V,GP,TP,6.3x11.5	
2	R814	2008-001112	R-FUSIBLE(S);2.4ohm,5%,2W,AG,TP,3.9x12mm		2	C504	2401-001232	C-AL;4.7uF,20%,250V,GP,TP,10x12.5,5	
2	R815	2008-001112	R-FUSIBLE(S);2.4ohm,5%,2W,AG,TP,3.9x12mm		2	C209	2401-001840	C-AL;100uF,20%,16V,GP,TP,6.3x11.5	
2	C904	2201-000180	C-CERAMIC,DISC;10nF,10%,50V,Y5V,TP,7x3.5		2	C213	2401-001840	C-AL;100uF,20%,16V,GP,TP,6.3x11.5	
2	C501	2201-000192	C-CERAMIC,DISC;0.01nF,0.25pF,500V,NP0,TP		2	C229	2401-001840	C-AL;100uF,20%,16V,GP,TP,6.3x11.5	
2	C302	2201-000259	C-CERAMIC,DISC;0.18nF,10%,500V,Y5P,TP,5		2	C903	2401-001840	C-AL;100uF,20%,16V,GP,TP,6.3x11.5	
2	C303	2201-000556	C-CERAMIC,DISC;0.47nF,10%,500V,Y5P,TP,5		2	C910	2401-001840	C-AL;100uF,20%,16V,GP,TP,6.3x11.5	
2	C305	2201-000556	C-CERAMIC,DISC;0.47nF,10%,500V,Y5P,TP,5		2	C705	2401-001989	C-AL;4.7uF,20%,50V,BP,TP,5x11.5	
2	C908	2201-000573	C-CERAMIC,DISC;0.047nF,5%,50V,NP0,TP,5x3		2	C706	2401-001989	C-AL;4.7uF,20%,50V,BP,TP,5x11.5	
2	C909	2201-000573	C-CERAMIC,DISC;0.047nF,5%,50V,NP0,TP,5x3		2	C710	2401-001989	C-AL;4.7uF,20%,50V,BP,TP,5x11.5	
2	C408	2201-000589	C-CERAMIC,DISC;0.56nF,10%,500V,Y5P,TP,7.5		2	C711	2401-001989	C-AL;4.7uF,20%,50V,BP,TP,5x11.5	
△ 2	CR404S	2201-000639	C-CERAMIC,DISC;0.68nF,10%,2kV,Y5P,TP,9x5		2	C601	2401-001998	C-AL;1000uF,20%,25V,GP,TP,10x20,5mm	
2	C811	2201-000991	C-CERAMIC,DISC;0.56nF,10%,2kV,Y5P,TP,7.5		2	C206	2401-002235	C-AL;10uF,20%,16V,GP,TP,5x11mm,5mm	
2	C814	2201-000991	C-CERAMIC,DISC;0.56nF,10%,2kV,Y5P,TP,7.5		2	C220	2401-002235	C-AL;10uF,20%,16V,GP,TP,5x11mm,5mm	
△ 2	CR409S	2201-000991	C-CERAMIC,DISC;0.56nF,10%,2kV,Y5P,TP,7.5		2	C709	2401-002235	C-AL;10uF,20%,16V,GP,TP,5x11mm,5mm	
2	C503	2201-000723	C-CERAMIC,DISC;4.7nF,20%,3KV,Y5U,TP,16x5		2	C306	2401-002288	C-AL;470uF,20%,25V,WT,TP,10x20,5	
2	C703	2202-000121	C-CERAMIC,MLC-AXIAL;100pF,10%,50V,Y5P,TP		2	C304	2401-002288	C-AL;470uF,20%,25V,WT,TP,10x20,5	
2	C704	2202-000121	C-CERAMIC,MLC-AXIAL;100pF,10%,50V,Y5P,TP		2	C813	2401-002290	C-AL;47uF,20%,160V,GP,TP,13x20,5	
2	C106	2202-000127	C-CERAMIC,MLC-AXIAL;10nF,+80-20%,25V,Y5V		2	C406	2401-002619	C-AL;47uF,20%,25V,GP,TP,5x11.5	
2	C111	2202-000127	C-CERAMIC,MLC-AXIAL;10nF,+80-20%,25V,Y5V		2	C214	2401-003102	C-AL;100uF,20%,10V,GP,TP,5x11.5	
2	C223	2202-000796	C-CERAMIC,MLC-AXIAL;1nF,10%,50V,Y5P,TP,3		2	L103	2701-000114	INDUCTOR-AXIAL;10uH,10%,2.5x3.4mm	
2	C224	2202-000796	C-CERAMIC,MLC-AXIAL;1nF,10%,50V,Y5P,TP,3		2	L202	2701-000114	INDUCTOR-AXIAL;10uH,10%,2.5x3.4mm	
2	C906	2202-000796	C-CERAMIC,MLC-AXIAL;1nF,10%,50V,Y5P,TP,3		2	L301	2701-000142	INDUCTOR-AXIAL;1uH,10%,2.5x3.4mm	
2	C505	2202-000825	C-CERAMIC,MLC-AXIAL;680pF,10%,50V,Y5P,TP		2	L302	2701-000142	INDUCTOR-AXIAL;1uH,10%,2.5x3.4mm	
2	C226	2202-000829	C-CERAMIC,MLC-AXIAL;0.82nF,10%,50V,Y5P,TP		2	L404	2701-000142	INDUCTOR-AXIAL;1uH,10%,2.5x3.4mm	
2	C707	2301-000204	C-FILM,PEF;2.7nF,5%,50V,TP,7.4x3.9x13mm,		2	L903	2701-000158	INDUCTOR-AXIAL;22uH,10%,2.5x3.4mm	
2	C502	2301-000213	C-FILM,PEF;220nF,5%,250V,TP,21.5x11.7,5		2	L102	2701-000159	INDUCTOR-AXIAL;22uH,10%,4.2x9.8mm	
2	C109	2301-000224	C-FILM,PEF;22nF,5%,50V,TP,7.4x3.9x13mm,5		2	L201	2701-000159	INDUCTOR-AXIAL;22uH,10%,4.2x9.8mm	
2	C804	2301-000224	C-FILM,PEF;22nF,5%,50V,TP,7.4x3.9x13mm,5		2	L205	2701-000159	INDUCTOR-AXIAL;22uH,10%,4.2x9.8mm	
2	C805	2301-000235	C-FILM,PEF;3.9nF,5%,50V,TP,6.5x3.0x5.5mm		2	L405	2701-000159	INDUCTOR-AXIAL;22uH,10%,4.2x9.8mm	
2	C309	2301-000254	C-FILM,PEF;39nF,5%,50V,TP,7.5x3.5x6.5mm,		2	L902	2701-000180	INDUCTOR-AXIAL;33uH,5%,2.5x3.4mm	
2	C606	2301-000111	C-FILM,PEF;1.8nF,5%,50V,TP,6.5x3.0x5.5mm		2	L904	2701-000180	INDUCTOR-AXIAL;33uH,5%,2.5x3.4mm	
2	C217	2301-000342	C-FILM,PEF;2.2nF,5%,50V,TP,7.4x3.9x13mm,		2	L702	2701-000184	INDUCTOR-AXIAL;4.7uH,10%,2.5x3.4mm	
2	C234	2301-000342	C-FILM,PEF;2.2nF,5%,50V,TP,7.4x3.9x13mm,		2	L703	2701-000184	INDUCTOR-AXIAL;4.7uH,10%,2.5x3.4mm	
2	C407	2301-000383	C-FILM,PEF;10nF,5%,50V,TP,6x7x3.2mm,5mm		2	L704	2701-000184	INDUCTOR-AXIAL;4.7uH,10%,2.5x3.4mm	
2	C227	2301-000445	C-FILM,PEF;4.7nF,5%,50V,TP,5.5x7x3mm,5mm		2	L706	2701-000184	INDUCTOR-AXIAL;4.7uH,10%,2.5x3.4mm	
2	C248	2301-000445	C-FILM,PEF;4.7nF,5%,50V,TP,5.5x7x3mm,5mm		2	X901	2801-000397	CRYSTAL-UNIT;12MHz,25ppm,28-AAM,30pF,300	
2	C420	2301-001065	C-FILM,MPPF;47nF,5%,630V,TP,19x15.5x7.7,		2	L403	2901-000297	FILTER-EMI ON BOARD;-.3A,-,-,3.5x5,TP,-	
2	C301	2305-000285	C-FILM,MPEF;220nF,5%,100V,TP,10.5X5.5X15		2	L806	2901-000297	FILTER-EMI ON BOARD;-.3A,-,-,3.5x5,TP,-	
2	C215	2305-000289	C-FILM,MPEF;220nF,5%,63V,TP,-5mm		2	L808	2901-000297	FILTER-EMI ON BOARD;-.3A,-,-,3.5x5,TP,-	
2	C216	2305-000289	C-FILM,MPEF;220nF,5%,63V,TP,-5mm		2	Z202	2903-001040	FILTER-CERAMIC,TR,5x5/6.0/6.5MHz,-,1dB,-	
2	C233	2305-000289	C-FILM,MPEF;220nF,5%,63V,TP,-5mm		2	L802	3301-000287	CORE-FERRITE BEAD;AA,3.5x1.0x6.0mm,1500,	
2	C611	2305-000289	C-FILM,MPEF;220nF,5%,63V,TP,-5mm		2	L803	3301-000287	CORE-FERRITE BEAD;AA,3.5x1.0x6.0mm,1500,	



Electrical Parts List

Level	Loc. No.	Code No.	Description ; Specification	Remark	Level	Loc. No.	Code No.	Description ; Specification	Remark
2	EY818	AA60-40011A	K EYELET;ID2.0,OD2.8,BST		2	R302	2004-004969	R-METAL(S);1.1Kohm,1%,1/2W,AA,TP2.4x6.4	
2	EY819	AA60-40011A	K EYELET;ID2.0,OD2.8,BST		2	R421	2008-001013	R-FUSIBLE(S);1.2ohm,5%,2W,AF,TP3.9x10mm	
2	EY821	AA60-40011A	K EYELET;ID2.0,OD2.8,BST		2	R505	2008-001011	R-FUSIBLE(S);0.18ohm,10%,2W,AF,TP3.9x10	
2	EY822	AA60-40011A	K EYELET;ID2.0,OD2.8,BST		2	C818	2401-003028	C-AL;100uF,20%,25V,WVT,TP6.3x11.5	
2	EY823	AA60-40011A	K EYELET;ID2.0,OD2.8,BST		2	C821	2401-003028	C-AL;100uF,20%,25V,WVT,TP6.3x11.5	
2	EY824	AA60-40011A	K EYELET;ID2.0,OD2.8,BST		2	J101	2001-000613	R-CARBON;3.9KOHM,5%,1/8W,AA,TP1.8X3.2M	
2	EY825	AA60-40011A	K EYELET;ID2.0,OD2.8,BST		2	R728	2001-000273	R-CARBON;100KOHM,5%,1/8W,AA,TP1.8X3.2M	
2	EY827	AA60-40011A	K EYELET;ID2.0,OD2.8,BST		2	R923	2001-000273	R-CARBON;100KOHM,5%,1/8W,AA,TP1.8X3.2M	
2	EY828	AA60-40011A	K EYELET;ID2.0,OD2.8,BST		2	R840	2001-001122	R-CARBON(S);3.9KOHM,5%,1/2W,AA,TP2.4X6.	
2	EY829	AA60-40011A	K EYELET;ID2.0,OD2.8,BST		2	C603	2301-000247	C-FILM,PEF;33nF,5%,50V,TP8.1x4.5x13mm,5	
2	EY830	AA60-40011A	K EYELET;ID2.0,OD2.8,BST		2	0203-001123		TAPE-PAPER;#53131,TO.15,W6.0,L200000,YEL	
2	EY833	AA60-40011A	K EYELET;ID2.0,OD2.8,BST		2	C102	2202-000279	C-CERAMIC,MLC-AXIAL;47pF,5%,50V,SL,TP3.	
2	EY850	AA60-40011A	K EYELET;ID2.0,OD2.8,BST		2	DZ401	0403-001319	DIODE-ZENER;MTZJ4.7C,4.68-4.93V,500mW,DO	
2	EY851	AA60-40011A	K EYELET;ID2.0,OD2.8,BST		2	DZ906	0403-001319	DIODE-ZENER;MTZJ4.7C,4.68-4.93V,500mW,DO	
2	EY852	AA60-40011A	K EYELET;ID2.0,OD2.8,BST		2	DZ907	0403-001319	DIODE-ZENER;MTZJ4.7C,4.68-4.93V,500mW,DO	
2	EY853	AA60-40011A	K EYELET;ID2.0,OD2.8,BST		2	DZ908	0403-001319	DIODE-ZENER;MTZJ4.7C,4.68-4.93V,500mW,DO	
2	EY860	AA60-40011A	K EYELET;ID2.0,OD2.8,BST		2	R306	2004-001390	R-METAL(S);1Kohm,2%,1/2W,AA,TP2.4x6.4mm	
2	EY861	AA60-40011A	K EYELET;ID2.0,OD2.8,BST		△ 2	NT802S	1404-001045	THERMISTOR-NTC;4.7ohm,15%,2900K,35.0mW,T	
2	EL301	AA60-40011B	K EYELET;ID2.2,OD3.2,BSP		△ 2	P803S	1404-001156	THERMISTOR-PTC;90HM,+30%/ -20%,220V,RMS,27	
2	EL302	AA60-40011B	K EYELET;ID2.2,OD3.2,BSP		△ 2	CX801S	2306-000318	C-FILM,MPPF;220nF,20%,250V,TP,-22.5mm	
2	EL403	AA60-40011B	K EYELET;ID2.2,OD3.2,BSP		△ 2	SF101S	2904-001070	FILTER-SAW AV;38.9MHz,SIP5K,TP14.6dB,B/	
2	EL404	AA60-40011B	K EYELET;ID2.2,OD3.2,BSP		△ 2	T401	AA26-50001B	TRANS-HORIZ.DRIVE;-,-,7.1mH,-,-,102uH,	
2	EL407	AA60-40011B	K EYELET;ID2.2,OD3.2,BSP		△ 2	LX801S	AA29-30001D	FILTER LINE NOISE;SQ1913,-,6.0MH,0.8A-	
2	EL408	AA60-40011B	K EYELET;ID2.2,OD3.2,BSP		△ 2	TU01S	AA40-00076A	TUNER;TECC0949PG35A(S),PAL,181CH,38.	
2	EL501	AA60-40011B	K EYELET;ID2.2,OD3.2,BSP		2	LD901	AA96-00555A	ASSY LED GUIDE;-,-,UEX-LD-030,GREEN	
2	EL502	AA60-40011B	K EYELET;ID2.2,OD3.2,BSP		2	IC501	AA96-00842A	ASSY H/S;VIDEO,AA62-30175D,TDA6107Q	
2	EL601	AA60-40011B	K EYELET;ID2.2,OD3.2,BSP		3	IC501	1201-001541	IC-VIDEO AMP;6107,ZSIP9P,-,SINGLE,-,PLA	
2	EL602	AA60-40011B	K EYELET;ID2.2,OD3.2,BSP		3	SCR501	6003-000334	SCREW-TAPTITE,RH,+2S,M3,L6,ZPC(YEL),SWR	
2	EL603	AA60-40011B	K EYELET;ID2.2,OD3.2,BSP		3	H/S501	AA62-30175D	HEAT SINK-PS;-,-,SECC,T1.0,-,33X15X30 FT-2	
2	EL604	AA60-40011B	K EYELET;ID2.2,OD3.2,BSP		2	V998S	3704-001105	SOCKET-CRT;11P,20P,26.5PI,NL-	
2	EL801	AA60-40011B	K EYELET;ID2.2,OD3.2,BSP		2	RM901	AA32-00015A	MODULE REMOCON;FRP-3521H31,38KHZ,940MM,M	
2	EL802	AA60-40011B	K EYELET;ID2.2,OD3.2,BSP		△ 2	IC801S	AA96-00845A	ASSY H/S;POWER,AA62-30186B,KA500765R	
2	EL804	AA60-40011B	K EYELET;ID2.2,OD3.2,BSP		△ 3	IC801	1203-001932	IC-PWM CONTROLLER;50Q765,TO-220F5P185M	
2	GT101	AA60-40014A	PIN-GT,ASSY,AUTO		3	SCR801	6003-000333	SCREW-TAPTITE,RH,+2S,M3,L10,ZPC(YEL),SW	
2	GT502	AA60-40014A	PIN-GT,ASSY,AUTO		3	H/S801	AA62-30186B	HEAT SINK-ES;-,-,SILVER,171J + COVER-H	
2	GT802	AA60-40014A	PIN-GT,ASSY,AUTO		3	HA68-02189A		LABEL-WARNING;-,-,33MM,18MM,WHITE	
2	GT803	AA60-40014A	PIN-GT,ASSY,AUTO		3	0205-000129		GREASE-SILICON;SC102,JAPAN	
2	GT804	AA60-40014A	PIN-GT,ASSY,AUTO		△ 2	IC802	AA96-00846A	ASSY H/S;POWER,AA62-00055A,KA7632	
2	GT805	AA60-40014A	PIN-GT,ASSY,AUTO		△ 3	IC802	1203-001939	IC-POSI.FIXED REG.;7632,SIP,10P,-,PLASTI	
2	GT806	AA60-40014A	PIN-GT,ASSY,AUTO		3	H/S802	AA62-00055A	HEAT SINK-PS;-,-,T1.0,-,35*15*25,D1,-,-	
2	GT501	AA60-40014A	PIN-GT,ASSY,AUTO		3	SCR802	6003-000334	SCREW-TAPTITE,RH,+2S,M3,L6,ZPC(YEL),SWR	
2	GT807	AA60-40014A	PIN-GT,ASSY,AUTO		△ 2	T801S	AA26-00134A	TRANS SWITCHING;-,-,CS21S5T,160V-260V,PM2 P	
2	R424	2004-001402	R-METAL(S);6.8Kohm,1%,1/2W,AA,TP2.4x6.4		△ 2	IC902	1103-001106	IC-EEPROM;C81DC,1028x8Bit,DIP,8P,300MIL,	
2	R423	2004-001373	R-METAL(S);100Kohm,1%,1/2W,AA,TP2.4x6.4		△ 2	SW801S	3403-001107	SWITCH-PUSH;250V,5A,DPST,-,KDC-A04	
△ 2	FD801S	3601-001163	FUSE-AXIAL LEAD;125V,7A,-,EPOXY,2.4X7.1M		2	Q401	0502-001160	TR-POWER;2SD2499,NPN,50000mW,TO-3P,BK,8	
△ 2	D807	0402-000493	DIODE-RECTIFIER;1R5GUJ1,400V,1.5A,DO-15L		2	JS701	3722-000183	JACK-SCART;21P,4mm,SN,BLK,N0	
△ 2	D303	0402-000132	DIODE-RECTIFIER;1N4004,400V,1A,DO-41,TP		2	TOP	AA39-20010D	LEAD CONNECTOR-ASSY;1PYFH800-01,S,400,	
△ 2	D809	0402-000132	DIODE-RECTIFIER;1N4004,400V,1A,DO-41,TP		2	TOP	AA39-20010D	LEAD CONNECTOR-ASSY;1PYFH800-01,S,400,	
2	C115	2202-000632	C-CERAMIC,MLC-AXIAL;100nF,20%,50V,Z5U,TP		2	CN501	AA39-20620C	LEAD CONNECTOR-ASSY;9PYBH250-09,S,500	
2	C211	2202-000632	C-CERAMIC,MLC-AXIAL;100nF,20%,50V,Z5U,TP		2	IC301	AA96-00847A	ASSY H/S;AA62-00046A,LA7840	
2	C911	2202-000632	C-CERAMIC,MLC-AXIAL;100nF,20%,50V,Z5U,TP		3	1204-001483		IC-VERTICAL PROCESSOR;LA7840,SIP,7P,708MI	
2	C822	2401-000711	C-AL;2200uF,20%,25V,GP,TP;16x25,7.5		3	AA62-00064A		HEAT SINK-PS;DP;-,-,AA62-00046A,-,-,-	
2	C806	2301-001435	C-FILM,PPF;1.5nF,5%,1.2kV,TP;15x8x12.5mm		3	6003-000334		SCREW-TAPTITE,RH,+2S,M3,L6,ZPC(YEL),SWR	
2	C207	2305-000412	C-FILM,MPEF;470nF,5%,63V,TP,-,5mm		3	0205-000129		GREASE-SILICON;SC102,JAPAN	
2	C901	2305-000412	C-FILM,MPEF;470nF,5%,63V,TP,-,5mm		2	C801	2401-002219	C-AL;220uF,20%,400V,GP,ST;25x40,10	
2	HIC01	AA13-20004W	IC HYBRID;-,-,PAP103T,SIP6P,PRE-AMPTP		△ 2	T444S	AA26-00116A	TRANS FB;FSV-14A004H(S),CT15A8,3.24MH,1	
2	RW701	2011-001133	R-NETWORK;33K/24K/75x3,5%,1/8W,X,SIP6P,		2	SUB	AA98-00079A	ASSY SUB PART;KS1A,MAIN(OPT),PAL,-	
2	R303	2008-001133	R-FUSIBLE(S);0.75ohm,5%,2W,AF,TP;3.9x10m		3	0202-000008		SOLDER-WIRE;S63S-W3.0,S63S,D3,63Sn/37Pb,	
2	PCB	AA41-00131G	PCB-MAIN;CS2139,FR-1.1L,G,1.6T,245X245,K		3	0202-000187		SOLDER-WIRE FLUX;-,-,RS60S,D1,2.63Sn/37Pb	
2	C702	2202-000210	C-CERAMIC,MLC-AXIAL;270pF,10%,50V,Y5P,TP		3	0204-000442		SOLVENT;1M-1000,C3H7OH,96,-	
2	R413	2003-001035	R-METAL OXIDE(S);27ohm,5%,2W,AF,TP;3.9x1		3	0204-001024		FLUX;DF-98TVS,-,20%-	
△ 2	FP801S	3601-000281	FUSE-CARTRIDGE;250V,4A,TIME-LAG,GLASS,5.		△ 2	CR410S	2303-001015	C-FILM,PPF;5.5nF,5%,1.6kV,TP;29x9.5x17.2	
2	L101	2701-000171	INDUCTOR-AXIAL;330nH,10%,2.5x3.4mm		2	IC602	AA96-00848A	ASSY H/S;SOUND,AA62-30175D,TDA8943	
2	L807	2701-001030	INDUCTOR-AXIAL;43uH,10%,5x14mm		3	SCR602	6003-000334	SCREW-TAPTITE,RH,+2S,M3,L6,ZPC(YEL),SWR	
2	L804	2701-001030	INDUCTOR-AXIAL;43uH,10%,5x14mm		3	H/S602	AA62-30175D	HEAT SINK-PS;-,-,SECC,T1.0,-,33X15X30 FT-2	
2	C403	2401-000560	C-AL;1uF,20%,160V,GP,TP;6.3x11.5		3	IC602	1201-001740	IC-AUDIO AMP;TDA8943,SL,9P,850MIL,SINGL	
2	C615	2202-000253	C-CERAMIC,MLC-AXIAL;4.7nF,20%,16V,Y5R,TP		2	CN601	3711-002642	CONNECTOR-HEADER;BOX,3P;1R,2.5mm,STRAIGH	
2	D804	0401-000006	DIODE-SWITCHING;BAV21,250V,250mA,DO-35,T		2	LW01	AA27-40001M	COIL HORIZ. WIDTH;-,-,180/480uH,SB-5S6202.	
2	D805	0402-001470	DIODE-RECTIFIER;RU2BV1,800V,1A,DO-204AC,		△ 2	CY801S	2201-000446	C-CERAMIC,DISC;3.3nF,20%,400V,Y5U,TP;15x	
2	R808	2001-001138	R-CARBON(S);330OHM,5%,1/2W,AA,TP2.4X6.4		△ 2	CR402S	2306-000350	C-FILM,MPPF;270nF,5%,400V,TP;26X18.5X10M	
2	R831	2001-001088	R-CARBON(S);1KOHM,5%,1/2W,AA,TP2.4X6.4M		△ 2	LR401S	AA27-30001B	COIL LINEARITY;-,-,195uH,QIC1010,PIO.4,4.5	
2	L104	2701-000168	INDUCTOR-AXIAL;3.3uH,5%,2.5x3.4mm		△ 2	IC201S	AA09-00271A	IC MICOM;TDA9381/N2/3,SPM-802EWN2,64P,3.	
2	L204	2701-000168	INDUCTOR-AXIAL;3.3uH,5%,2.5x3.4mm		2	CN401	AA60-40012D	PIN-GT,ASSY;T1.6,6.12-5,NYLON66	
2	C203	2401-002462	C-AL;33uF,20%,16V,GP,TP;5x11,5		2	CN703	3711-002646	CONNECTOR-HEADER;BOX,7P;1R,2.5mm,STRAIGH	
2	R811	2003-002239	R-METAL OXIDE(S);100KOHM,5%,2W,AF,TP;3.9						
2	R812	2003-002239	R-METAL OXIDE(S);100KOHM,5%,2W,AF,TP;3.9						

Level	Loc. No.	Code No.	Description ; Specification	Remark	Level	Loc. No.	Code No.	Description ; Specification	Remark
<b>ASSY CRT</b>									
1		AA94-05859A	ASSY CRT;A51EER31X,+400MG,21		2	rating	HA83-00052A	LP-TAPE-INK;,WIDTH 55 MM	
					2		HA68-02177B	LABEL-PQS;ALL_30MM,65MM,WHITE,AA68-02177	
					2		AA65-30018A	CLAMPER CORE-WIRE;DONG-A,NYLON-66,-,-,-	
					2		HA68-02179A	LABEL-RATING;58MM,53MM,WHITE	
					<b>ASSY COVER REAR</b>				
					1		AA90-04456A	ASSY COVER REAR;21F3,SEH	
					2		AA64-03006A	CABINET-BACK;21F3,HIPS,FV2,G4309	
					3		AA81-00096A	RESIN-A;VL-1823,G5433,A	
					3		HA83-00011A	LP-RESIN;,M BATCH,WILSON 6007-GY-60,GRY	
					2	CB+CF	6002-000515	SCREW-TAPPING;RH,+,2,M4,L15,ZPC(WHT),SWR	
					2		AA65-30008A	CLAMPER CORE-CORD;-PE,HB,-,BLK,-	
					2		AA65-30110A	CLAMPER CORE-WIRE;ALL MODEL,NYLON 66,V2,	
<b>ASSY PCB MISC-A/V SIDE</b>									
1		AA94-12271B	ASSY PCB MISC-A/V SIDE;21F3,PAL						
2	AV+CF	6003-001023	SCREW-TAPTITE;RWH,+,B,M3,L10,ZPC(YEL),SW						
2		AA63-10002A	BAND-TIE;NYLON66 V2,L100,NTR						
2		AA61-01234A	HOLDER-AV;21F3,HIPS HB,G4309,SV012P						
2		AA64-03080B	INLAY-AV;21F3,PS SHEET,TO,3,BLK,KS1A,SIL						
2		AA63-00632A	COVER-AV;21F3,HIPS,HB,BLK						
2		6003-000334	SCREW-TAPTITE;RH,+,2S,M3,L6,ZPC(YEL),SWR						
<b>ASSY ETC-A/V SIDE</b>									
1		AA95-03124A	ASSY ETC-A/V SIDE;,20F3-21F3,KS1A						
2		0202-000008	SOLDER-WIRE;S63S-W3,0,S63S,D3,63Sn/37Pb,						
2		0202-000187	SOLDER-WIRE FLUX;-RS60S,D1,2,63Sn/37Pb						
2		0204-000442	SOLVENT;1M-1000,C3H7OH,96,-						
2		0204-001024	FLUX;DF-98TVS,-,20%,-						
2	JA701	3722-001041	JACK-RCA;1P;3.4MM,#16-22,AU						
2	JA702	3722-001042	JACK-RCA;1P;3.4MM,#16-22,AU						
2	CN702	AA39-20070A	LEAD CONNECTOR-ASSY;,7PYBNH025-07,67096						
2	CE04	2202-000121	C-CERAMIC,MLC-AXIAL;100pF,10%,50V,Y5P,TP						
2	LE04	2701-000114	INDUCTOR-AXIAL;10uH,10%,2.5x3.4mm						
2	PCB	AA41-00751A	PCB-A/V SIDE;CS21F3,FR-1,1LA,1.6T,245X2						
<b>ASSY COVER FRONT</b>									
1		AA90-04455A	ASSY COVER FRONT;21F3,SEH						
2		AA96-01258A	ASSY COVER P-FRONT;21F3,HIPS HB,SV012P S						
3		AA64-03005B	CABINET-FRONT;21F3,HIPS,HB,G4309,SV012P						
4		HA83-00021A	LP-MARKING PAINT;,WHITE,TPC180						
4		HA83-00040A	LP-MARKING PAINT;,METALLIC SILVER,SV-012						
4		HA83-00011A	LP-RESIN;,M BATCH,WILSON 6007-GY-60,GRY						
4		HA83-00006A	LP-RESIN HIPS;,BASF495F,NTR,HB						
3		AA64-03009A	KNOB-CONTROL;21F3,ABS,HB,G3676,SVM-3012						
4		HA83-00040A	LP-MARKING PAINT;,METALLIC SILVER,SV-012						
4		HA83-00006A	LP-RESIN HIPS;,BASF495F,NTR,HB						
4		HA83-00011A	LP-RESIN;,M BATCH,WILSON 6007-GY-60,GRY						
3		AA64-03010A	KNOB-POWER;21F3,ABS,HB,G3676,SVM-3012						
4		HA83-00040A	LP-MARKING PAINT;,METALLIC SILVER,SV-012						
4		HA83-00006A	LP-RESIN HIPS;,BASF495F,NTR,HB						
4		HA83-00011A	LP-RESIN;,M BATCH,WILSON 6007-GY-60,GRY						
3		AA64-03013A	WINDOW-RMC,LED;21F3,ACRYL,CLR						
4		HA83-00009A	LP-RESIN PC;,LEXAN 121R,VIOLET						
3		AA65-30105A	CLAMPER CORE-WIRE;ALL MODEL,NYLON 66,V2,						
3		HA83-00049A	LP-ADHESIVE-HM;12MM,NTR						
3		AA64-70127F	BADGE-BRAND;NEW,AL,-,L40,R800,SILVER,S						
3		AA61-60003J	SPRING ETC-CS;-SUS304,-,OD6,N7,OD6,-						
3	KC+CF	6003-001019	SCREW-TAPTITE;RH,+,B,M4,L12,ZPC(BLK),SWR						
3	WR+CF	6003-001019	SCREW-TAPTITE;RH,+,B,M4,L12,ZPC(BLK),SWR						
3	SPK+CF	6003-001019	SCREW-TAPTITE;RH,+,B,M4,L12,ZPC(BLK),SWR						
3		AA96-01188A	ASSY HOLDER SPK;160HM,3001-001008,AA39-2						
4		AA39-20500G	LEAD CONNECTOR-ASSY;,3(2),67096-003,REC,						
4		3001-001008	SPEAKER;5W,16ohm,90dB,180Hz						
3		AA61-40113A	STOPPER-PCB;501H,HIPS,-,HB,NTR,-						
3		HA61-00721B	HOLDER-RAIL;21F5,HIPS,HB,GRY						
4		HA83-00006A	LP-RESIN HIPS;,BASF495F,NTR,HB						
4		HA83-00011A	LP-RESIN;,M BATCH,WILSON 6007-GY-60,GRY						
2	qms	HA83-00052A	LP-TAPE-INK;,WIDTH 55 MM						
					1		AA59-00104J	REMOCON;-TM59,SIM806E,25,L/GRAY,EX,GR	
					<b>REMOCON</b>				
					2		HA68-02125A	LABEL;A/P120(G),70,69,ALLXEC,BLAC	
					2		4301-000120	BATTERY-MN;1.5V;-AA,14.5x50mm,-	
					2		HA83-00047A	LP-TAPEACETATE;TO,1MM,W20MM,L200MM	
					2		HA69-00276A	BAG VINYL;HDPE,TO,0.25,L400,W240,-,W/O LO	
					2		HA68-00336B	CARD-WARRANTY;A/P100(G),A5,NEW VERSION,I	
					<b>ASSY COVER REAR</b>				
					<b>ASSY POWER CORD</b>				
					1		AA96-01126A	ASSY POWER CORD;DPA,AA39-10001G,CP2,H/C25	
					2		AA39-10001G	CBF POWER CORD;-KKP-419C,KLCE-2F2,286m	
					2		AA61-20284A	HOLDER;P-CORD,PP,-,-,BLK,VO,KE-002	
					<b>ASSY BOX</b>				
					1		AA92-07438A	ASSY BOX;21F3,SEH	
					2		AA69-01845B	PACKING CASE;21F3,D-2 BB,A1,YEL,SEH	
					2		HA68-02178A	LABEL-BOX;250MM,89MM,WHITE	
					2		HA83-00046A	LP-TAPE INK;,WIDTH 105 MM	
					<b>ASSY P/MATERIAL</b>				
					1		AA92-07440A	ASSY P/MATERIAL;21F3	
					2		AA60-40006A	PIN-STAPLE;AUTO,33X17.8X2.4,H18,33X17.8X	
					2		AA69-01799A	CUSHION SET;21F3,PS FOAMED,C=0.02	
					2		AA69-00744C	BAG-SHEET;-HDPE PE FOAM,TO,0.15,W1050,H9	

### 7-4 CB21F52TSXXEC

Level	Loc. No.	Code No.	Description ; Specification	Remark	Level	Loc. No.	Code No.	Description ; Specification	Remark
<b>ASSY PCB MAIN(OPT)</b>									
	1	AA94-12413A	ASSY PCB MAIN(OPT);CB21F5T,KS1A		2	R205	2001-000011	R-CARBON;75KOHM,5%,1/8W,AA,TP;1.8X3.2MM	
	2	HA68-02176A	LABEL;LABEL		2	R301	2001-000016	R-CARBON(S);10HM,5%,1/2W,AA,TP;2.4X6.4MM	
	2	D201	0401-000005	DIODE-SWITCHING;1N4148,100V,200mA,DO-35,	2	J125	2001-000016	R-CARBON(S);10HM,5%,1/2W,AA,TP;2.4X6.4MM	
△	2	D811	0401-000005	DIODE-SWITCHING;1N4148,100V,200mA,DO-35,	2	R843	2001-000019	R-CARBON(S);100HM,5%,1/2W,AA,TP;2.4X6.4M	
	2	D501	0402-000254	DIODE-RECTIFIER;RGP10J,600V,1A,DO-41,TP	2	R618	2001-000019	R-CARBON(S);100HM,5%,1/2W,AA,TP;2.4X6.4M	
△	2	D803	0402-000254	DIODE-RECTIFIER;RGP10J,600V,1A,DO-41,TP	2	R409	2001-000022	R-CARBON(S);330HM,5%,1/2W,AA,TP;2.4X6.4M	
△	2	D807	0402-000493	DIODE-RECTIFIER;1R5GU41,400V,1.5A,DO-15L	2	R823	2001-000037	R-CARBON(S);330HM,5%,1/2W,AA,TP;2.4X6.4	
	2	D301	0402-001105	DIODE-RECTIFIER;ERB43-04SV1,400V,1.0A,-,	2	R902	2001-000241	R-CARBON;1.5KOHM,5%,1/8W,AA,TP;1.8X3.2M	
	2	D304	0402-001105	DIODE-RECTIFIER;ERB43-04SV1,400V,1.0A,-,	2	R904	2001-000241	R-CARBON;1.5KOHM,5%,1/8W,AA,TP;1.8X3.2M	
△	2	D401	0402-001105	DIODE-RECTIFIER;ERB43-04SV1,400V,1.0A,-,	2	R211	2001-000281	R-CARBON;100OHM,5%,1/8W,AA,TP;1.8X3.2MM	
	2	D502	0402-001105	DIODE-RECTIFIER;ERB43-04SV1,400V,1.0A,-,	2	R215	2001-000281	R-CARBON;100OHM,5%,1/8W,AA,TP;1.8X3.2MM	
	2	D503	0402-001105	DIODE-RECTIFIER;ERB43-04SV1,400V,1.0A,-,	2	R223	2001-000281	R-CARBON;100OHM,5%,1/8W,AA,TP;1.8X3.2MM	
	2	D504	0402-001105	DIODE-RECTIFIER;ERB43-04SV1,400V,1.0A,-,	2	R501	2001-000281	R-CARBON;100OHM,5%,1/8W,AA,TP;1.8X3.2MM	
△	2	D812	0402-001105	DIODE-RECTIFIER;ERB43-04SV1,400V,1.0A,-,	2	R502	2001-000281	R-CARBON;100OHM,5%,1/8W,AA,TP;1.8X3.2MM	
△	2	D801S	0402-001111	DIODE-RECTIFIER;1N5397GP600V,1.5A,DO-20	2	R506	2001-000281	R-CARBON;100OHM,5%,1/8W,AA,TP;1.8X3.2MM	
△	2	D802S	0402-001111	DIODE-RECTIFIER;1N5397GP600V,1.5A,DO-20	2	R510	2001-000281	R-CARBON;100OHM,5%,1/8W,AA,TP;1.8X3.2MM	
△	2	D803S	0402-001111	DIODE-RECTIFIER;1N5397GP600V,1.5A,DO-20	2	R511	2001-000281	R-CARBON;100OHM,5%,1/8W,AA,TP;1.8X3.2MM	
△	2	D804S	0402-001111	DIODE-RECTIFIER;1N5397GP600V,1.5A,DO-20	2	R512	2001-000281	R-CARBON;100OHM,5%,1/8W,AA,TP;1.8X3.2MM	
	2	D303	0402-000132	DIODE-RECTIFIER;1N4004,400V,1A,DO-41,TP	2	R909	2001-000281	R-CARBON;100OHM,5%,1/8W,AA,TP;1.8X3.2MM	
△	2	D809	0402-000132	DIODE-RECTIFIER;1N4004,400V,1A,DO-41,TP	2	R911	2001-000281	R-CARBON;100OHM,5%,1/8W,AA,TP;1.8X3.2MM	
	2	D302	0402-001352	DIODE-RECTIFIER;GUF15G-20A,400V,1.5A,DO-	2	R912	2001-000281	R-CARBON;100OHM,5%,1/8W,AA,TP;1.8X3.2MM	
	2	DZ402	0403-000508	DIODE-ZENER;MTZJ5.6B,5.6V,5.45-5.73V,500	2	R913	2001-000281	R-CARBON;100OHM,5%,1/8W,AA,TP;1.8X3.2MM	
	2	DZ807	0403-000508	DIODE-ZENER;MTZJ5.6B,5.6V,5.45-5.73V,500	2	R914	2001-000281	R-CARBON;100OHM,5%,1/8W,AA,TP;1.8X3.2MM	
	2	DZ810	0403-000508	DIODE-ZENER;MTZJ5.6B,5.6V,5.45-5.73V,500	2	J137	2001-000281	R-CARBON;100OHM,5%,1/8W,AA,TP;1.8X3.2MM	
	2	DZ903	0403-000508	DIODE-ZENER;MTZJ5.6B,5.6V,5.45-5.73V,500	2	R718	2001-000281	R-CARBON;100OHM,5%,1/8W,AA,TP;1.8X3.2MM	
	2	DZ904	0403-000508	DIODE-ZENER;MTZJ5.6B,5.6V,5.45-5.73V,500	2	R213	2001-000281	R-CARBON;100OHM,5%,1/8W,AA,TP;1.8X3.2MM	
	2	DZ905	0403-000508	DIODE-ZENER;MTZJ5.6B,5.6V,5.45-5.73V,500	2	R224	2001-000290	R-CARBON;10KOHM,5%,1/8W,AA,TP;1.8X3.2MM	
	2	DZ901	0403-000508	DIODE-ZENER;MTZJ5.6B,5.6V,5.45-5.73V,500	2	R828	2001-000290	R-CARBON;10KOHM,5%,1/8W,AA,TP;1.8X3.2MM	
	2	DZ101	0403-000700	DIODE-ZENER;TZP33A,33V,31-35V,1W,DO-41,T	2	R910	2001-000290	R-CARBON;10KOHM,5%,1/8W,AA,TP;1.8X3.2MM	
	2	DZ303	0403-000700	DIODE-ZENER;TZP33A,33V,31-35V,1W,DO-41,T	2	R919	2001-000290	R-CARBON;10KOHM,5%,1/8W,AA,TP;1.8X3.2MM	
	2	DZ803	0403-000700	DIODE-ZENER;TZP33A,33V,31-35V,1W,DO-41,T	2	R920	2001-000290	R-CARBON;10KOHM,5%,1/8W,AA,TP;1.8X3.2MM	
	2	DZ201	0403-000720	DIODE-ZENER;MTZJ9.1B,9.1V,8.57-9.01V,500	2	R921	2001-000290	R-CARBON;10KOHM,5%,1/8W,AA,TP;1.8X3.2MM	
	2	DZ204	0403-000720	DIODE-ZENER;MTZJ9.1B,9.1V,8.57-9.01V,500	2	R922	2001-000290	R-CARBON;10KOHM,5%,1/8W,AA,TP;1.8X3.2MM	
	2	DZ205	0403-000720	DIODE-ZENER;MTZJ9.1B,9.1V,8.57-9.01V,500	2	R709	2001-000290	R-CARBON;10KOHM,5%,1/8W,AA,TP;1.8X3.2MM	
	2	DZ207	0403-000720	DIODE-ZENER;MTZJ9.1B,9.1V,8.57-9.01V,500	2	R601	2001-000290	R-CARBON;10KOHM,5%,1/8W,AA,TP;1.8X3.2MM	
	2	DZ501	0403-000720	DIODE-ZENER;MTZJ9.1B,9.1V,8.57-9.01V,500	2	R230	2001-000290	R-CARBON;10KOHM,5%,1/8W,AA,TP;1.8X3.2MM	
	2	DZ502	0403-000720	DIODE-ZENER;MTZJ9.1B,9.1V,8.57-9.01V,500	2	R225	2001-001035	R-CARBON;910HM,5%,1/8W,AA,TP;1.8X3.2MM	
	2	DZ503	0403-000720	DIODE-ZENER;MTZJ9.1B,9.1V,8.57-9.01V,500	2	R918	2001-000429	R-CARBON;1KOHM,5%,1/8W,AA,TP;1.8X3.2MM	
	2	DZ504	0403-000720	DIODE-ZENER;MTZJ9.1B,9.1V,8.57-9.01V,500	2	R926	2001-000429	R-CARBON;1KOHM,5%,1/8W,AA,TP;1.8X3.2MM	
	2	DZ704	0403-000720	DIODE-ZENER;MTZJ9.1B,9.1V,8.57-9.01V,500	2	R210	2001-000429	R-CARBON;1KOHM,5%,1/8W,AA,TP;1.8X3.2MM	
	2	DZ808	0403-000720	DIODE-ZENER;MTZJ9.1B,9.1V,8.57-9.01V,500	2	R723	2001-000429	R-CARBON;1KOHM,5%,1/8W,AA,TP;1.8X3.2MM	
	2	DZ306	0403-000720	DIODE-ZENER;MTZJ9.1B,9.1V,8.57-9.01V,500	2	R721	2001-000429	R-CARBON;1KOHM,5%,1/8W,AA,TP;1.8X3.2MM	
	2	DZ307	0403-000720	DIODE-ZENER;MTZJ9.1B,9.1V,8.57-9.01V,500	2	R916	2001-000449	R-CARBON;2.2KOHM,5%,1/8W,AA,TP;1.8X3.2M	
	2	DZ701	0403-000720	DIODE-ZENER;MTZJ9.1B,9.1V,8.57-9.01V,500	2	R917	2001-000449	R-CARBON;2.2KOHM,5%,1/8W,AA,TP;1.8X3.2M	
	2	DZ702	0403-000720	DIODE-ZENER;MTZJ9.1B,9.1V,8.57-9.01V,500	2	R919	2001-000449	R-CARBON;2.2KOHM,5%,1/8W,AA,TP;1.8X3.2M	
	2	DZ703	0403-000720	DIODE-ZENER;MTZJ9.1B,9.1V,8.57-9.01V,500	2	R220	2001-000472	R-CARBON;2.7KOHM,5%,1/8W,AA,TP;1.8X3.2M	
	2	DZ801	0403-001140	DIODE-ZENER;RD10ESAB-T4,10V,9.19-10.30V,	2	R901	2001-000472	R-CARBON;2.7KOHM,5%,1/8W,AA,TP;1.8X3.2M	
	2	DZ302	0403-001221	DIODE-ZENER;UZ39BSB,35.36-37.19V,500mW,DO	2	R903	2001-000472	R-CARBON;2.7KOHM,5%,1/8W,AA,TP;1.8X3.2M	
	2	DZ806	0403-001317	DIODE-ZENER;MTZJ3.0B,3.01-3.22V,500mW,DO	2	R907	2001-000472	R-CARBON;2.7KOHM,5%,1/8W,AA,TP;1.8X3.2M	
	2	DZ802	0403-001318	DIODE-ZENER;MTZJ4.3B,4.17-4.43V,500mW,DO	2	R908	2001-000472	R-CARBON;2.7KOHM,5%,1/8W,AA,TP;1.8X3.2M	
	2	DZ203	0403-001322	DIODE-ZENER;MTZJ8.2B,7.78-8.19V,500mW,DO	2	R214	2001-000490	R-CARBON;200OHM,5%,1/8W,AA,TP;1.8X3.2MM	
	2	DZ805	0403-001327	DIODE-ZENER;MTZJ18A,16.22-17.06V,500mW,DO	2	R206	2001-000563	R-CARBON;27KOHM,5%,1/8W,AA,TP;1.8X3.2MM	
	2	DZ301	0403-001328	DIODE-ZENER;MTZJ22A,20.15-21.20V,500mW,DO	2	R829	2001-000563	R-CARBON;27KOHM,5%,1/8W,AA,TP;1.8X3.2MM	
	2	DZ305	0403-001328	DIODE-ZENER;MTZJ22A,20.15-21.20V,500mW,DO	2	R929	2001-000563	R-CARBON;27KOHM,5%,1/8W,AA,TP;1.8X3.2MM	
	2	Q201	0501-000283	TR-SMALL SIGNAL;KSA539,PNP,400mW,TO-92,T	2	R208	2001-000591	R-CARBON;3.3KOHM,5%,1/8W,AA,TP;1.8X3.2M	
	2	Q901	0501-000283	TR-SMALL SIGNAL;KSA539,PNP,400mW,TO-92,T	2	R933	2001-000281	R-CARBON;100OHM,5%,1/8W,AA,TP;1.8X3.2MM	
	2	Q402	0501-000369	TR-SMALL SIGNAL;KSC2331-Y,NPN,1000mW,TO-	2	R934	2001-000281	R-CARBON;100OHM,5%,1/8W,AA,TP;1.8X3.2MM	
	2	Q202	0501-000389	TR-SMALL SIGNAL;KSC815,NPN,400mW,TO-92,T	2	R202	2001-000689	R-CARBON;390KOHM,5%,1/8W,AA,TP;1.8X3.2M	
	2	Q205	0501-000389	TR-SMALL SIGNAL;KSC815,NPN,400mW,TO-92,T	2	R925	2001-000734	R-CARBON;4.7KOHM,5%,1/8W,AA,TP;1.8X3.2M	
	2	Q903	0501-000389	TR-SMALL SIGNAL;KSC815,NPN,400mW,TO-92,T	2	R841	2001-000734	R-CARBON;4.7KOHM,5%,1/8W,AA,TP;1.8X3.2M	
	2	Q905	0501-000389	TR-SMALL SIGNAL;KSC815,NPN,400mW,TO-92,T	2	R602	2001-000734	R-CARBON;4.7KOHM,5%,1/8W,AA,TP;1.8X3.2M	
	2	Q704	0501-000389	TR-SMALL SIGNAL;KSC815,NPN,400mW,TO-92,T	2	R227	2001-000739	R-CARBON;4.7MOHM,5%,1/8W,AA,TP;1.8X3.2M	
	2	Q701	0501-000389	TR-SMALL SIGNAL;KSC815,NPN,400mW,TO-92,T	2	R228	2001-000739	R-CARBON;4.7MOHM,5%,1/8W,AA,TP;1.8X3.2M	
△	2	VX801S	1405-000187	VARISTOR;750V,1250A,12.5x7mm,TP	2	R109	2001-000786	R-CARBON;47KOHM,5%,1/8W,AA,TP;1.8X3.2MM	
	2	R207	2001-000005	R-CARBON;390ohm,5%,1/8W,AA,TP;1.8x3.2mm	2	R724	2001-000786	R-CARBON;47KOHM,5%,1/8W,AA,TP;1.8X3.2MM	
	2	R905	2001-000005	R-CARBON;390ohm,5%,1/8W,AA,TP;1.8x3.2mm	2	R725	2001-000786	R-CARBON;47KOHM,5%,1/8W,AA,TP;1.8X3.2MM	
	2	R906	2001-000005	R-CARBON;390ohm,5%,1/8W,AA,TP;1.8x3.2mm	2	R726	2001-000786	R-CARBON;47KOHM,5%,1/8W,AA,TP;1.8X3.2MM	
	2	R218	2001-000008	R-CARBON;15KOHM,5%,1/8W,AA,TP;1.8X3.2MM	2	R727	2001-000786	R-CARBON;47KOHM,5%,1/8W,AA,TP;1.8X3.2MM	
					2	R209	2001-000793	R-CARBON;47OHM,5%,1/8W,AA,TP;1.8X3.2MM	
					2	R927	2001-000793	R-CARBON;47OHM,5%,1/8W,AA,TP;1.8X3.2MM	
					2	R203	2001-000857	R-CARBON;560OHM,5%,1/8W,AA,TP;1.8X3.2MM	
					2	R204	2001-000857	R-CARBON;560OHM,5%,1/8W,AA,TP;1.8X3.2MM	
					2	R713	2001-000857	R-CARBON;560OHM,5%,1/8W,AA,TP;1.8X3.2MM	

Level	Loc. No.	Code No.	Description ; Specification	Remark	Level	Loc. No.	Code No.	Description ; Specification	Remark
2	R715	2001-000857	R-CARBON;5600HM,5%,1/8W,AA,TP,1.8X3.2MM		2	C301	2305-000285	C-FILM,MPEF;220NF,5%,100V,TP,10.5X5.5X15	
2	R110	2001-000924	R-CARBON;6800HM,5%,1/8W,AA,TP,1.8X3.2MM		2	C215	2305-000289	C-FILM,MPEF;220NF,5%,63V,TP,5mm	
2	R915	2001-000924	R-CARBON;6800HM,5%,1/8W,AA,TP,1.8X3.2MM		2	C216	2305-000289	C-FILM,MPEF;220NF,5%,63V,TP,5mm	
2	R722	2001-000924	R-CARBON;6800HM,5%,1/8W,AA,TP,1.8X3.2MM		2	C233	2305-000289	C-FILM,MPEF;220NF,5%,63V,TP,5mm	
2	R108	2001-000947	R-CARBON;7.5KOHM,5%,1/8W,AA,TP,1.8X3.2M		2	C613	2305-000289	C-FILM,MPEF;220NF,5%,63V,TP,5mm	
2	R222	2001-000947	R-CARBON;7.5KOHM,5%,1/8W,AA,TP,1.8X3.2M		2	C611	2305-000289	C-FILM,MPEF;220NF,5%,63V,TP,5mm	
2	R702	2001-000969	R-CARBON;750HM,5%,1/8W,AA,TP,1.8X3.2MM		△ 2	CR405S	2305-000382	C-FILM,MPEF;4.7nF,5%,400V,TP,5mm	
2	R719	2001-000969	R-CARBON;750HM,5%,1/8W,AA,TP,1.8X3.2MM		2	C207	2305-000412	C-FILM,MPEF;470NF,5%,63V,TP,5mm	
2	R720	2001-000969	R-CARBON;750HM,5%,1/8W,AA,TP,1.8X3.2MM		2	C901	2305-000412	C-FILM,MPEF;470NF,5%,63V,TP,5mm	
2	R408	2001-001037	R-CARBON(S);0.390HM,5%,1/2W,AA,TP,2.4X6.4		2	C103	2305-000665	C-FILM,MPEF;100NF,5%,63V,TP,7.5x4.0x5.0m	
2	R504	2001-001062	R-CARBON(S);10MOHM,5%,1/2W,AA,TP,2.4X6.4		2	C208	2305-000665	C-FILM,MPEF;100NF,5%,63V,TP,7.5x4.0x5.0m	
2	R414	2001-001078	R-CARBON(S);15KOHM,5%,1/2W,AA,TP,2.4X6.4		2	C210	2305-000665	C-FILM,MPEF;100NF,5%,63V,TP,7.5x4.0x5.0m	
2	R806	2001-001108	R-CARBON(S);22KOHM,5%,1/2W,AA,TP,2.4X6.4		2	C218	2305-000665	C-FILM,MPEF;100NF,5%,63V,TP,7.5x4.0x5.0m	
2	R411	2001-001114	R-CARBON(S);2700HM,5%,1/2W,AA,TP,2.4X6.4		2	C230	2305-000665	C-FILM,MPEF;100NF,5%,63V,TP,7.5x4.0x5.0m	
2	R809	2001-001150	R-CARBON(S);47KOHM,5%,1/2W,AA,TP,2.4X6.4		2	C803	2305-000665	C-FILM,MPEF;100NF,5%,63V,TP,7.5x4.0x5.0m	
2	R810	2001-001150	R-CARBON(S);47KOHM,5%,1/2W,AA,TP,2.4X6.4		2	C819	2305-000665	C-FILM,MPEF;100NF,5%,63V,TP,7.5x4.0x5.0m	
2	R501H	2002-001008	R-COMPOSITION;1.8Kohm,10%,1/2W,AA,TP,3.7		2	C913	2305-000665	C-FILM,MPEF;100NF,5%,63V,TP,7.5x4.0x5.0m	
2	R502H	2002-001008	R-COMPOSITION;1.8Kohm,10%,1/2W,AA,TP,3.7		2	C204	2305-000665	C-FILM,MPEF;100NF,5%,63V,TP,7.5x4.0x5.0m	
2	R503	2002-001008	R-COMPOSITION;1.8Kohm,10%,1/2W,AA,TP,3.7		2	C205	2305-000665	C-FILM,MPEF;100NF,5%,63V,TP,7.5x4.0x5.0m	
△ 2	RX801S	2002-001011	R-COMPOSITION;3.3Mohm,5%,1/2W,AA,TP,3.7x		2	C231	2305-000665	C-FILM,MPEF;100NF,5%,63V,TP,7.5x4.0x5.0m	
△ 2	RY801S	2002-001012	R-COMPOSITION;8.2Mohm,5%,1/2W,AA,TP,3.7x		2	C618	2305-000665	C-FILM,MPEF;100NF,5%,63V,TP,7.5x4.0x5.0m	
2	R827	2003-000652	R-METAL OXIDE(S);330ohm,5%,2W,AF,TP,4x12		2	C225	2309-000138	C-FILM,PE-PPF;100NF,5%,50V,TP20x16x8.5,	
2	R403	2003-000784	R-METAL OXIDE(S);7.5Kohm,5%,2W,AF,TP,4x1		2	C812	2401-000262	C-AL;100uF;20%,160V,HR,TP,16x25,7.5	
2	R834	2003-001040	R-METAL OXIDE(S);47Kohm,5%,2W,AF,TP,3.9x		2	C817	2401-000302	C-AL;100uF;20%,25V,GPTP,6.3x11,5	
2	R303	2008-001133	R-FUSIBLE(S);0.75ohm,5%,2W,AF,TP,3.9x10m		2	C823	2401-000302	C-AL;100uF;20%,25V,GPTP,6.3x11,5	
2	R801	2003-002171	R-METAL OXIDE(S);150ohm,5%,2W,AG,TP,3.9x		2	C915	2401-000302	C-AL;100uF;20%,25V,GPTP,6.3x11,5	
2	R402	2003-002178	R-METAL OXIDE(S);1Kohm,5%,2W,AG,TP,3.9x1		2	C307	2401-000360	C-AL;100uF;20%,50V,GPTP,8x11,5,5	
2	R407	2003-002209	R-METAL OXIDE(S);47Kohm,5%,2W,AG,TP,3.9X		2	C308	2401-000360	C-AL;100uF;20%,50V,GPTP,8x11,5,5	
2	R423	2004-001373	R-METAL(S);100Kohm,1%,1/2W,AA,TP,2.4x6.4		2	C506	2401-000430	C-AL;10uF;20%,250V,GPTP,10x16mm,5m	
2	R424	2004-001402	R-METAL(S);6.8Kohm,1%,1/2W,AA,TP,2.4x6.4		2	C820	2401-000480	C-AL;10uF;20%,50V,GPTP,5x11,5	
2	R219	2004-001914	R-METAL;39Kohm,2%,1/8W,AA,TP,1.8x3.5mm		2	C612	2401-000480	C-AL;10uF;20%,50V,GPTP,5x11,5	
2	R817	2004-004089	R-METAL(S);123Kohm,1%,1/2W,AA,TP,2.5x6.5		2	C604	2401-000480	C-AL;10uF;20%,50V,GPTP,5x11,5	
2	R304	2008-000253	R-FUSIBLE(S);0.47ohm,5%,1W,AF,TP,3.9x10m		2	C403	2401-000560	C-AL;1uF;20%,160V,GPTP,6.3x11,5	
2	R305	2008-000253	R-FUSIBLE(S);0.47ohm,5%,1W,AF,TP,3.9x10m		2	C219	2401-000603	C-AL;1uF;20%,50V,GPTP,5x11,5	
2	R825	2008-000266	R-FUSIBLE(S);1ohm,5%,2W,AF,TP,3.9x10mm		2	C212	2401-000660	C-AL;2.2uF;20%,50V,GPTP,5x11,5	
2	R824	2008-000294	R-FUSIBLE(S);33ohm,5%,2W,AF,TP,3.9x10mm		2	C221	2401-000660	C-AL;2.2uF;20%,50V,GPTP,5x11,5	
2	R420	2008-001110	R-FUSIBLE(S);68ohm,5%,2W,AG,TP,3.9X12mm		2	C605	2401-000660	C-AL;2.2uF;20%,50V,GPTP,5x11,5	
2	C904	2201-000180	C-CERAMIC,DISC;10nF,10%,50V,Y5V,TP,7x3,5		2	C222	2401-000758	C-AL;220nF;20%,50V,GPTP,5x11,5	
2	C501	2201-000192	C-CERAMIC,DISC;0.01nF,0.25pF;500V,NPO,TP		2	C827	2401-000927	C-AL;22uF;20%,250V,GPTP,13x20,5	
2	C302	2201-000259	C-CERAMIC,DISC;0.18nF,10%,500V,Y5P,TP5		2	C101	2401-001101	C-AL;330uF;20%,16V,GPTP,8x11,5,5	
2	C303	2201-000556	C-CERAMIC,DISC;0.47nF,10%,500V,Y5P,TP5		2	C802	2401-001192	C-AL;33uF;20%,50V,GPTP,6.3x11,5	
2	C305	2201-000556	C-CERAMIC,DISC;0.47nF,10%,500V,Y5P,TP5		2	C504	2401-001232	C-AL;4.7uF;20%,250V,GPTP,10x12,5,5	
2	C908	2201-000573	C-CERAMIC,DISC;0.047nF,5%,50V,NPO,TP,5x3		2	C209	2401-001840	C-AL;100uF;20%,16V,GPTP,6.3x11,5	
2	C909	2201-000573	C-CERAMIC,DISC;0.047nF,5%,50V,NPO,TP,5x3		2	C213	2401-001840	C-AL;100uF;20%,16V,GPTP,6.3x11,5	
2	C408	2201-000599	C-CERAMIC,DISC;0.56nF,10%,500V,Y5P,TP5		2	C229	2401-001840	C-AL;100uF;20%,16V,GPTP,6.3x11,5	
△ 2	CR404S	2201-000639	C-CERAMIC,DISC;0.68nF,10%,2kV,Y5P,TP,9x5		2	C903	2401-001840	C-AL;100uF;20%,16V,GPTP,6.3x11,5	
2	C503	2201-000723	C-CERAMIC,DISC;4.7nF,20%,3KV,Y5U,TP,16x5		2	C910	2401-001840	C-AL;100uF;20%,16V,GPTP,6.3x11,5	
2	C811	2201-000991	C-CERAMIC,DISC;0.56nF,10%,2kV,Y5P,TP,7,5		2	C705	2401-001989	C-AL;4.7uF;20%,50V,BP,TP,5x11,5	
2	C814	2201-000991	C-CERAMIC,DISC;0.56nF,10%,2kV,Y5P,TP,7,5		2	C706	2401-001989	C-AL;4.7uF;20%,50V,BP,TP,5x11,5	
2	C704	2202-000121	C-CERAMIC,MLC-AXIAL;100pF,10%,50V,Y5P,TP		2	C710	2401-001989	C-AL;4.7uF;20%,50V,BP,TP,5x11,5	
2	C703	2202-000121	C-CERAMIC,MLC-AXIAL;100pF,10%,50V,Y5P,TP		2	C711	2401-001989	C-AL;4.7uF;20%,50V,BP,TP,5x11,5	
2	C106	2202-000127	C-CERAMIC,MLC-AXIAL;10nF,+80-20%,25V,Y5V		2	C601	2401-001998	C-AL;1000uF;20%,25V,GPTP,10x20,5mm	
2	C111	2202-000127	C-CERAMIC,MLC-AXIAL;10nF,+80-20%,25V,Y5V		2	C206	2401-002235	C-AL;10uF;20%,16V,GPTP,5x11mm,5mm	
2	C105	2202-000127	C-CERAMIC,MLC-AXIAL;10nF,+80-20%,25V,Y5V		2	C220	2401-002235	C-AL;10uF;20%,16V,GPTP,5x11mm,5mm	
2	C702	2202-000210	C-CERAMIC,MLC-AXIAL;270pF,10%,50V,Y5P,TP		2	C709	2401-002235	C-AL;10uF;20%,16V,GPTP,5x11mm,5mm	
2	C115	2202-000632	C-CERAMIC,MLC-AXIAL;100nF,20%,50V,Z5U,TP		2	C306	2401-002288	C-AL;470uF;20%,25V,WT,TP,10x20,5	
2	C211	2202-000632	C-CERAMIC,MLC-AXIAL;100nF,20%,50V,Z5U,TP		2	C304	2401-002288	C-AL;470uF;20%,25V,WT,TP,10x20,5	
2	C911	2202-000632	C-CERAMIC,MLC-AXIAL;100nF,20%,50V,Z5U,TP		2	C813	2401-002290	C-AL;47uF;20%,160V,GPTP,13x20,5	
2	C223	2202-000796	C-CERAMIC,MLC-AXIAL;1NF,10%,50V,Y5P,TP3		2	C406	2401-002619	C-AL;47uF;20%,25V,GPTP,5x11,5	
2	C224	2202-000796	C-CERAMIC,MLC-AXIAL;1NF,10%,50V,Y5P,TP3		2	C214	2401-003102	C-AL;100uF;20%,10V,GPTP,5x11,5	
2	C906	2202-000796	C-CERAMIC,MLC-AXIAL;1NF,10%,50V,Y5P,TP3		2	L103	2701-000114	INDUCTOR-AXIAL;10uH,10%,2.5x3.4mm	
2	C505	2202-000825	C-CERAMIC,MLC-AXIAL;680pF,10%,50V,Y5P,TP		2	L202	2701-000114	INDUCTOR-AXIAL;10uH,10%,2.5x3.4mm	
2	C226	2202-000829	C-CERAMIC,MLC-AXIAL;0.82NF,10%,50V,Y5P,TP		2	L301	2701-000142	INDUCTOR-AXIAL;1uH,10%,2.5x3.4mm	
2	C707	2301-000204	C-FILM,PEF;2.7nF,5%,50V,TP,7.4x3.9x13mm,		2	L302	2701-000142	INDUCTOR-AXIAL;1uH,10%,2.5x3.4mm	
2	C502	2301-000213	C-FILM,PEF;220NF,5%,250V,TP,21.5x11,7,5		2	L404	2701-000142	INDUCTOR-AXIAL;1uH,10%,2.5x3.4mm	
2	C109	2301-000224	C-FILM,PEF;22nF,5%,50V,TP,7.4x3.9x13mm,5		2	L903	2701-000159	INDUCTOR-AXIAL;22uH,10%,2.5x3.4mm	
2	C804	2301-000224	C-FILM,PEF;22nF,5%,50V,TP,7.4x3.9x13mm,5		2	L102	2701-000159	INDUCTOR-AXIAL;22uH,10%,4.2x9.8mm	
2	C805	2301-000235	C-FILM,PEF;3.9nF,5%,50V,TP,6.5x3.0x5.5mm		2	L201	2701-000159	INDUCTOR-AXIAL;22uH,10%,4.2x9.8mm	
2	C309	2301-000254	C-FILM,PEF;39nF,5%,50V,TP,7.5x3.5x6.5mm,		2	L205	2701-000159	INDUCTOR-AXIAL;22uH,10%,4.2x9.8mm	
2	C606	2301-000111	C-FILM,PEF;1.8nF,5%,50V,TP,6.5x3.0x5.5mm		2	L405	2701-000159	INDUCTOR-AXIAL;22uH,10%,4.2x9.8mm	
2	C217	2301-000342	C-FILM,PEF;2.2nF,5%,50V,TP,7.4x3.9x13mm,		2	L104	2701-000168	INDUCTOR-AXIAL;3.3uH,5%,2.5x3.4mm	
2	C234	2301-000342	C-FILM,PEF;2.2nF,5%,50V,TP,7.4x3.9x13mm,		2	L204	2701-000168	INDUCTOR-AXIAL;3.3uH,5%,2.5x3.4mm	
2	C407	2301-000383	C-FILM,PEF;10nF,5%,50V,TP,6x7x3.2mm,5mm		2	L902	2701-000180	INDUCTOR-AXIAL;33uH,5%,2.5x3.4mm	
2	C227	2301-000445	C-FILM,PEF;4.7nF,5%,50V,TP,5.5x7x3mm,5mm		2	L904	2701-000180	INDUCTOR-AXIAL;33uH,5%,2.5x3.4mm	
2	C248	2301-000445	C-FILM,PEF;4.7nF,5%,50V,TP,5.5x7x3mm,5mm		2	L702	2701-000184	INDUCTOR-AXIAL;4.7uH,10%,2.5x3.4mm	
2	C420	2301-001065	C-FILM,MPPF;47nF,5%,630V,TP,19x15.5x7.7,		2	L703	2701-000184	INDUCTOR-AXIAL;4.7uH,10%,2.5x3.4mm	
2	C806	2301-001435	C-FILM,PPF;1.5nF,5%,1.2kV,TP,15x8x12.5mm		2	L704	2701-000184	INDUCTOR-AXIAL;4.7uH,10%,2.5x3.4mm	



Electrical Parts List

Level	Loc. No.	Code No.	Description ; Specification	Remark	Level	Loc. No.	Code No.	Description ; Specification	Remark
2	L706	2701-000184	INDUCTOR-AXIAL;4.7uH,10%,2.5x3.4mm		2	J183	3812-000219	WIRE-NO SHEATH CU;TCWA,300V,52mm(TAPING)	
2	X901	2801-003937	CRYSTAL-UNIT;12MHz,25ppm,28-AAM,30pF,30o		2	J184	3812-000219	WIRE-NO SHEATH CU;TCWA,300V,52mm(TAPING)	
2	L403	2901-000297	FILTER-EMI ON BOARD;-3A,-,-,3.5x5,TP-		2	J185	3812-000219	WIRE-NO SHEATH CU;TCWA,300V,52mm(TAPING)	
2	L806	2901-000297	FILTER-EMI ON BOARD;-3A,-,-,3.5x5,TP-		2	J186	3812-000219	WIRE-NO SHEATH CU;TCWA,300V,52mm(TAPING)	
2	L808	2901-000297	FILTER-EMI ON BOARD;-3A,-,-,3.5x5,TP-		2	J187	3812-000219	WIRE-NO SHEATH CU;TCWA,300V,52mm(TAPING)	
2	Z202	2903-001040	FILTER-CERAMIC;TR,5.5/6.0/6.5MHz,-,1dB,-		2	J189	3812-000219	WIRE-NO SHEATH CU;TCWA,300V,52mm(TAPING)	
2	J910	3301-000287	CORE-FERRITE BEAD;AA,3.5x1.0x6.0mm,1500,		2	J190	3812-000219	WIRE-NO SHEATH CU;TCWA,300V,52mm(TAPING)	
2	L802	3301-000287	CORE-FERRITE BEAD;AA,3.5x1.0x6.0mm,1500,		2	J192	3812-000219	WIRE-NO SHEATH CU;TCWA,300V,52mm(TAPING)	
2	L803	3301-000287	CORE-FERRITE BEAD;AA,3.5x1.0x6.0mm,1500,		2	J193	3812-000219	WIRE-NO SHEATH CU;TCWA,300V,52mm(TAPING)	
2	SW901	3404-000244	SWITCH-TACT;15V,20mA,90-170gf,7.5x7mm,SP		2	J195	3812-000219	WIRE-NO SHEATH CU;TCWA,300V,52mm(TAPING)	
2	SW902	3404-000244	SWITCH-TACT;15V,20mA,90-170gf,7.5x7mm,SP		2	J196	3812-000219	WIRE-NO SHEATH CU;TCWA,300V,52mm(TAPING)	
2	SW903	3404-000244	SWITCH-TACT;15V,20mA,90-170gf,7.5x7mm,SP		2	J198	3812-000219	WIRE-NO SHEATH CU;TCWA,300V,52mm(TAPING)	
2	SW904	3404-000244	SWITCH-TACT;15V,20mA,90-170gf,7.5x7mm,SP		2	J209	3812-000219	WIRE-NO SHEATH CU;TCWA,300V,52mm(TAPING)	
2	SW905	3404-000244	SWITCH-TACT;15V,20mA,90-170gf,7.5x7mm,SP		2	J211	3812-000219	WIRE-NO SHEATH CU;TCWA,300V,52mm(TAPING)	
△	FD801S	3601-001163	FUSE-AXIAL LEAD;125V,7A,-,EPOXY,2.4X7.1M		2	J212	3812-000219	WIRE-NO SHEATH CU;TCWA,300V,52mm(TAPING)	
2	F801A	3602-000114	FUSE-HOLDER;-,-,30mohm		2	J401	3812-000219	WIRE-NO SHEATH CU;TCWA,300V,52mm(TAPING)	
2	F801B	3602-000114	FUSE-HOLDER;-,-,30mohm		2	J803	3812-000219	WIRE-NO SHEATH CU;TCWA,300V,52mm(TAPING)	
2	C107	3812-000219	WIRE-NO SHEATH CU;TCWA,300V,52mm(TAPING)		2	J807	3812-000219	WIRE-NO SHEATH CU;TCWA,300V,52mm(TAPING)	
2	C507	3812-000219	WIRE-NO SHEATH CU;TCWA,300V,52mm(TAPING)		2	J812	3812-000219	WIRE-NO SHEATH CU;TCWA,300V,52mm(TAPING)	
2	C508	3812-000219	WIRE-NO SHEATH CU;TCWA,300V,52mm(TAPING)		2	J902	3812-000219	WIRE-NO SHEATH CU;TCWA,300V,52mm(TAPING)	
2	C912	3812-000219	WIRE-NO SHEATH CU;TCWA,300V,52mm(TAPING)		△	NT801S	3812-000219	WIRE-NO SHEATH CU;TCWA,300V,52mm(TAPING)	
2	D202	3812-000219	WIRE-NO SHEATH CU;TCWA,300V,52mm(TAPING)		2	R309	3812-000219	WIRE-NO SHEATH CU;TCWA,300V,52mm(TAPING)	
2	J102	3812-000219	WIRE-NO SHEATH CU;TCWA,300V,52mm(TAPING)		2	R406	3812-000219	WIRE-NO SHEATH CU;TCWA,300V,52mm(TAPING)	
2	J103	3812-000219	WIRE-NO SHEATH CU;TCWA,300V,52mm(TAPING)		△	R422S	3812-000219	WIRE-NO SHEATH CU;TCWA,300V,52mm(TAPING)	
2	J104	3812-000219	WIRE-NO SHEATH CU;TCWA,300V,52mm(TAPING)		2	R507	3812-000219	WIRE-NO SHEATH CU;TCWA,300V,52mm(TAPING)	
2	J105	3812-000219	WIRE-NO SHEATH CU;TCWA,300V,52mm(TAPING)		2	R508	3812-000219	WIRE-NO SHEATH CU;TCWA,300V,52mm(TAPING)	
2	J106	3812-000219	WIRE-NO SHEATH CU;TCWA,300V,52mm(TAPING)		2	R509	3812-000219	WIRE-NO SHEATH CU;TCWA,300V,52mm(TAPING)	
2	J107	3812-000219	WIRE-NO SHEATH CU;TCWA,300V,52mm(TAPING)		2	R717	3812-000219	WIRE-NO SHEATH CU;TCWA,300V,52mm(TAPING)	
2	J108	3812-000219	WIRE-NO SHEATH CU;TCWA,300V,52mm(TAPING)		2	J153	3812-000219	WIRE-NO SHEATH CU;TCWA,300V,52mm(TAPING)	
2	J110	3812-000219	WIRE-NO SHEATH CU;TCWA,300V,52mm(TAPING)		2	J174	3812-000219	WIRE-NO SHEATH CU;TCWA,300V,52mm(TAPING)	
2	J111	3812-000219	WIRE-NO SHEATH CU;TCWA,300V,52mm(TAPING)		2	J204	3812-000219	WIRE-NO SHEATH CU;TCWA,300V,52mm(TAPING)	
2	J113	3812-000219	WIRE-NO SHEATH CU;TCWA,300V,52mm(TAPING)		2	J177	3812-000219	WIRE-NO SHEATH CU;TCWA,300V,52mm(TAPING)	
2	J114	3812-000219	WIRE-NO SHEATH CU;TCWA,300V,52mm(TAPING)		2	J199	3812-000219	WIRE-NO SHEATH CU;TCWA,300V,52mm(TAPING)	
2	J120	3812-000219	WIRE-NO SHEATH CU;TCWA,300V,52mm(TAPING)		2	J112	3812-000219	WIRE-NO SHEATH CU;TCWA,300V,52mm(TAPING)	
2	J121	3812-000219	WIRE-NO SHEATH CU;TCWA,300V,52mm(TAPING)		2	J913	3812-000219	WIRE-NO SHEATH CU;TCWA,300V,52mm(TAPING)	
2	J122	3812-000219	WIRE-NO SHEATH CU;TCWA,300V,52mm(TAPING)		2	J169	3812-000219	WIRE-NO SHEATH CU;TCWA,300V,52mm(TAPING)	
2	J124	3812-000219	WIRE-NO SHEATH CU;TCWA,300V,52mm(TAPING)		2	R701	3812-000219	WIRE-NO SHEATH CU;TCWA,300V,52mm(TAPING)	
2	J126	3812-000219	WIRE-NO SHEATH CU;TCWA,300V,52mm(TAPING)		2	L910	3812-000219	WIRE-NO SHEATH CU;TCWA,300V,52mm(TAPING)	
2	J127	3812-000219	WIRE-NO SHEATH CU;TCWA,300V,52mm(TAPING)		2	J200	3812-000219	WIRE-NO SHEATH CU;TCWA,300V,52mm(TAPING)	
2	J128	3812-000219	WIRE-NO SHEATH CU;TCWA,300V,52mm(TAPING)		2	J117	3812-000219	WIRE-NO SHEATH CU;TCWA,300V,52mm(TAPING)	
2	J129	3812-000219	WIRE-NO SHEATH CU;TCWA,300V,52mm(TAPING)		△	D802	3812-000219	WIRE-NO SHEATH CU;TCWA,300V,52mm(TAPING)	
2	J131	3812-000219	WIRE-NO SHEATH CU;TCWA,300V,52mm(TAPING)		2	R805	3812-000219	WIRE-NO SHEATH CU;TCWA,300V,52mm(TAPING)	
2	J132	3812-000219	WIRE-NO SHEATH CU;TCWA,300V,52mm(TAPING)		2	R850	3812-000219	WIRE-NO SHEATH CU;TCWA,300V,52mm(TAPING)	
2	J133	3812-000219	WIRE-NO SHEATH CU;TCWA,300V,52mm(TAPING)		2	R229	3812-000219	WIRE-NO SHEATH CU;TCWA,300V,52mm(TAPING)	
2	J134	3812-000219	WIRE-NO SHEATH CU;TCWA,300V,52mm(TAPING)		2	R107	3812-000219	WIRE-NO SHEATH CU;TCWA,300V,52mm(TAPING)	
2	J135	3812-000219	WIRE-NO SHEATH CU;TCWA,300V,52mm(TAPING)		2	J179	3812-000219	WIRE-NO SHEATH CU;TCWA,300V,52mm(TAPING)	
2	J136	3812-000219	WIRE-NO SHEATH CU;TCWA,300V,52mm(TAPING)		2	J180	3812-000219	WIRE-NO SHEATH CU;TCWA,300V,52mm(TAPING)	
2	J138	3812-000219	WIRE-NO SHEATH CU;TCWA,300V,52mm(TAPING)		2	J601	3812-000219	WIRE-NO SHEATH CU;TCWA,300V,52mm(TAPING)	
2	J139	3812-000219	WIRE-NO SHEATH CU;TCWA,300V,52mm(TAPING)		2	J603	3812-000219	WIRE-NO SHEATH CU;TCWA,300V,52mm(TAPING)	
2	J140	3812-000219	WIRE-NO SHEATH CU;TCWA,300V,52mm(TAPING)		2	J814	3812-000219	WIRE-NO SHEATH CU;TCWA,300V,52mm(TAPING)	
2	J142	3812-000219	WIRE-NO SHEATH CU;TCWA,300V,52mm(TAPING)		2	R101	3812-000219	WIRE-NO SHEATH CU;TCWA,300V,52mm(TAPING)	
2	J143	3812-000219	WIRE-NO SHEATH CU;TCWA,300V,52mm(TAPING)		2	R102	3812-000219	WIRE-NO SHEATH CU;TCWA,300V,52mm(TAPING)	
2	J145	3812-000219	WIRE-NO SHEATH CU;TCWA,300V,52mm(TAPING)		2	R708	3812-000219	WIRE-NO SHEATH CU;TCWA,300V,52mm(TAPING)	
2	J146	3812-000219	WIRE-NO SHEATH CU;TCWA,300V,52mm(TAPING)		2	J207	3812-000219	WIRE-NO SHEATH CU;TCWA,300V,52mm(TAPING)	
2	J147	3812-000219	WIRE-NO SHEATH CU;TCWA,300V,52mm(TAPING)		2	PCB	AA41-00131G	PCB-MAIN;CS2139,FR-1,1L,G,1.6T,245X245,K	
2	J148	3812-000219	WIRE-NO SHEATH CU;TCWA,300V,52mm(TAPING)		2	EY101	AA60-40011A	K EYELET;ID2.0,OD2.8,BST	
2	J150	3812-000219	WIRE-NO SHEATH CU;TCWA,300V,52mm(TAPING)		2	EY401	AA60-40011A	K EYELET;ID2.0,OD2.8,BST	
2	J151	3812-000219	WIRE-NO SHEATH CU;TCWA,300V,52mm(TAPING)		2	EY402	AA60-40011A	K EYELET;ID2.0,OD2.8,BST	
2	J152	3812-000219	WIRE-NO SHEATH CU;TCWA,300V,52mm(TAPING)		2	EY403	AA60-40011A	K EYELET;ID2.0,OD2.8,BST	
2	J154	3812-000219	WIRE-NO SHEATH CU;TCWA,300V,52mm(TAPING)		2	EY404	AA60-40011A	K EYELET;ID2.0,OD2.8,BST	
2	J155	3812-000219	WIRE-NO SHEATH CU;TCWA,300V,52mm(TAPING)		2	EY405	AA60-40011A	K EYELET;ID2.0,OD2.8,BST	
2	J156	3812-000219	WIRE-NO SHEATH CU;TCWA,300V,52mm(TAPING)		2	EY406	AA60-40011A	K EYELET;ID2.0,OD2.8,BST	
2	J157	3812-000219	WIRE-NO SHEATH CU;TCWA,300V,52mm(TAPING)		2	EY407	AA60-40011A	K EYELET;ID2.0,OD2.8,BST	
2	J158	3812-000219	WIRE-NO SHEATH CU;TCWA,300V,52mm(TAPING)		2	EY408	AA60-40011A	K EYELET;ID2.0,OD2.8,BST	
2	J159	3812-000219	WIRE-NO SHEATH CU;TCWA,300V,52mm(TAPING)		2	EY409	AA60-40011A	K EYELET;ID2.0,OD2.8,BST	
2	J160	3812-000219	WIRE-NO SHEATH CU;TCWA,300V,52mm(TAPING)		2	EY410	AA60-40011A	K EYELET;ID2.0,OD2.8,BST	
2	J163	3812-000219	WIRE-NO SHEATH CU;TCWA,300V,52mm(TAPING)		2	EY411	AA60-40011A	K EYELET;ID2.0,OD2.8,BST	
2	J167	3812-000219	WIRE-NO SHEATH CU;TCWA,300V,52mm(TAPING)		2	EY412	AA60-40011A	K EYELET;ID2.0,OD2.8,BST	
2	J168	3812-000219	WIRE-NO SHEATH CU;TCWA,300V,52mm(TAPING)		2	EY414	AA60-40011A	K EYELET;ID2.0,OD2.8,BST	
2	J170	3812-000219	WIRE-NO SHEATH CU;TCWA,300V,52mm(TAPING)		2	EY415	AA60-40011A	K EYELET;ID2.0,OD2.8,BST	
2	J171	3812-000219	WIRE-NO SHEATH CU;TCWA,300V,52mm(TAPING)		2	EY416	AA60-40011A	K EYELET;ID2.0,OD2.8,BST	
2	J173	3812-000219	WIRE-NO SHEATH CU;TCWA,300V,52mm(TAPING)		2	EY417	AA60-40011A	K EYELET;ID2.0,OD2.8,BST	
2	J175	3812-000219	WIRE-NO SHEATH CU;TCWA,300V,52mm(TAPING)		2	EY419	AA60-40011A	K EYELET;ID2.0,OD2.8,BST	
2	J176	3812-000219	WIRE-NO SHEATH CU;TCWA,300V,52mm(TAPING)		2	EY420	AA60-40011A	K EYELET;ID2.0,OD2.8,BST	
2	J181	3812-000219	WIRE-NO SHEATH CU;TCWA,300V,52mm(TAPING)		2	EY421	AA60-40011A	K EYELET;ID2.0,OD2.8,BST	
2	J182	3812-000219	WIRE-NO SHEATH CU;TCWA,300V,52mm(TAPING)		2	EY422	AA60-40011A	K EYELET;ID2.0,OD2.8,BST	

Level	Loc. No.	Code No.	Description ; Specification	Remark	Level	Loc. No.	Code No.	Description ; Specification	Remark
2	EY423	AA60-40011A	K EYELET;ID2.0,OD2.8,BST		2	R840	2001-001122	R-CARBON(S);3.9KOHM,5%,1/2W,AA,TP,2.4X6.	
2	EY501	AA60-40011A	K EYELET;ID2.0,OD2.8,BST		2	C818	2401-003028	C-AL;100uF,20%,25V,WT,TP,6.3x11.5	
2	EY801	AA60-40011A	K EYELET;ID2.0,OD2.8,BST		2	C821	2401-003028	C-AL;100uF,20%,25V,WT,TP,6.3x11.5	
2	EY802	AA60-40011A	K EYELET;ID2.0,OD2.8,BST		2	R728	2001-000273	R-CARBON;100KOHM,5%,1/8W,AA,TP,1.8X3.2M	
2	EY803	AA60-40011A	K EYELET;ID2.0,OD2.8,BST		2	R923	2001-000273	R-CARBON;100KOHM,5%,1/8W,AA,TP,1.8X3.2M	
2	EY807	AA60-40011A	K EYELET;ID2.0,OD2.8,BST		2	C603	2301-000247	C-FILM,PEF;33nF,5%,50V,TP,8.1x4.5x13mm,5	
2	EY808	AA60-40011A	K EYELET;ID2.0,OD2.8,BST		2		0203-001123	TAPE-PAPER;#53131,TO.15,W6.0,L200000,YEL	
2	EY809	AA60-40011A	K EYELET;ID2.0,OD2.8,BST		2	C102	2202-000279	C-CERAMIC,MLC-AXIAL;47pF,5%,50V,SL,TP,3.	
2	EY810	AA60-40011A	K EYELET;ID2.0,OD2.8,BST		2	DZ401	0403-001319	DIODE-ZENER;MTZJ4.7C,4.68-4.93V,500mW,DO	
2	EY813	AA60-40011A	K EYELET;ID2.0,OD2.8,BST		2	DZ906	0403-001319	DIODE-ZENER;MTZJ4.7C,4.68-4.93V,500mW,DO	
2	EY818	AA60-40011A	K EYELET;ID2.0,OD2.8,BST		2	DZ907	0403-001319	DIODE-ZENER;MTZJ4.7C,4.68-4.93V,500mW,DO	
2	EY819	AA60-40011A	K EYELET;ID2.0,OD2.8,BST		2	DZ908	0403-001319	DIODE-ZENER;MTZJ4.7C,4.68-4.93V,500mW,DO	
2	EY821	AA60-40011A	K EYELET;ID2.0,OD2.8,BST		2	R315	2003-001018	R-METAL OXIDE(S);220ohm,5%,2W,AF,TP,3.9x	
2	EY822	AA60-40011A	K EYELET;ID2.0,OD2.8,BST		2	R316	2003-001018	R-METAL OXIDE(S);220ohm,5%,2W,AF,TP,3.9x	
2	EY823	AA60-40011A	K EYELET;ID2.0,OD2.8,BST		△	NT802S	1404-001045	THERMISTOR-NTC;4.7ohm,15%,2900K,35.0mW,T	
2	EY824	AA60-40011A	K EYELET;ID2.0,OD2.8,BST		△	P803S	1404-001156	THERMISTOR-PTC;90OHM,+30%/ -20%,220VRMS,27	
2	EY825	AA60-40011A	K EYELET;ID2.0,OD2.8,BST		△	CX801S	2306-000318	C-FILM,MPPF;220nF,20%,250V,TP,-22.5mm	
2	EY827	AA60-40011A	K EYELET;ID2.0,OD2.8,BST		△	SF101S	2904-001070	FILTER-SAW AV;38.9MHz,SIP5K,TP,14.6dB,B/	
2	EY828	AA60-40011A	K EYELET;ID2.0,OD2.8,BST		△	T401	AA26-50001B	TRANS-HORIZ.DRIVE;-,-,7.1mH,-,-,102uH,	
2	EY829	AA60-40011A	K EYELET;ID2.0,OD2.8,BST		△	LX801S	AA29-30001D	FILTER LINE NOISE;SQ1913,-,6.0MH,0.8A,-	
2	EY830	AA60-40011A	K EYELET;ID2.0,OD2.8,BST		△	TU01S	AA40-00076A	TUNER;TECC0949PG35A(S),PAL,181CH,38.	
2	EY833	AA60-40011A	K EYELET;ID2.0,OD2.8,BST		2	LD901	AA96-00555A	ASSY LED GUIDE;-,-,UJEX-LD-030,GREEN	
2	EY850	AA60-40011A	K EYELET;ID2.0,OD2.8,BST		2	IC501	AA96-00842A	ASSY H/S;,VIDEO,AA62-30175D,TDA6107Q	
2	EY851	AA60-40011A	K EYELET;ID2.0,OD2.8,BST		3	IC501	1201-001541	IC-VIDEO AMP;6107,ZSIP9P,-,SINGLE,-,PLA	
2	EY852	AA60-40011A	K EYELET;ID2.0,OD2.8,BST		3	SCR501	6003-000334	SCREW-TAPTITE,RH,+2S,M3,L6,ZPC(YEL),SWR	
2	EY853	AA60-40011A	K EYELET;ID2.0,OD2.8,BST		3	H/S501	AA62-30175D	HEAT SINK-PS;-,SECC,T1.0,-,33X15X30 FT-2	
2	EY860	AA60-40011A	K EYELET;ID2.0,OD2.8,BST		△	V999S	3704-001105	SOCKET-CRT;11P,20PI,26.5PI,NI,-	
2	EY861	AA60-40011A	K EYELET;ID2.0,OD2.8,BST		2	RM901	AA32-00015A	MODULE REMOCON;FRP-3521H31,38KHZ,940MM,M	
2	EL301	AA60-40011B	K EYELET;ID2.2,OD3.2,BSP		△	IC801S	AA96-00845A	ASSY H/S;,POWER,AA62-30186B,KA500765R	
2	EL302	AA60-40011B	K EYELET;ID2.2,OD3.2,BSP		△	IC801	1203-001932	IC-PWM CONTROLLER;500765,TO-220F,5P;185M	
2	EL403	AA60-40011B	K EYELET;ID2.2,OD3.2,BSP		3	SCR801	6003-000333	SCREW-TAPTITE,RH,+2S,M3,L10,ZPC(YEL),SW	
2	EL404	AA60-40011B	K EYELET;ID2.2,OD3.2,BSP		3	H/S801	AA62-30186B	HEAT SINK-ES;-,-,SILVER,171J + COVER-H	
2	EL407	AA60-40011B	K EYELET;ID2.2,OD3.2,BSP		3		HA68-02189A	LABEL-WARNING;,33MM,18MM,WHITE	
2	EL408	AA60-40011B	K EYELET;ID2.2,OD3.2,BSP		3		0205-000129	GREASE-SILICON;SC102,JAPAN	
2	EL501	AA60-40011B	K EYELET;ID2.2,OD3.2,BSP		△	IC802	AA96-00846A	ASSY H/S;,POWER,AA62-00055A,KA7632	
2	EL502	AA60-40011B	K EYELET;ID2.2,OD3.2,BSP		△	IC802	1203-001939	IC-POS.FIXED REG.;7632,SIP,10P,-,PLASTI	
2	EL601	AA60-40011B	K EYELET;ID2.2,OD3.2,BSP		3	H/S802	AA62-00055A	HEAT SINK-PS;-,-,T1.0,-,35*15*25,D1,-,-	
2	EL602	AA60-40011B	K EYELET;ID2.2,OD3.2,BSP		3	SCR802	6003-000334	SCREW-TAPTITE,RH,+2S,M3,L6,ZPC(YEL),SWR	
2	EL603	AA60-40011B	K EYELET;ID2.2,OD3.2,BSP		2	IC902	1103-001106	IC-EEPROM;C81DC,1028x8Bit,DIP8P;300MIL,	
2	EL604	AA60-40011B	K EYELET;ID2.2,OD3.2,BSP		△	SW801S	3403-001107	SWITCH-PUSH;250V,5A,DPST,-,KDC-A04	
2	EL801	AA60-40011B	K EYELET;ID2.2,OD3.2,BSP		2	Q401	0502-001160	TR-POWER;2SD2499,NPN,50000mW,TO-3PBK,8	
2	EL802	AA60-40011B	K EYELET;ID2.2,OD3.2,BSP		2	JS701	3722-000183	JACK-SCART;21P,4mm,SN,BLK,NO	
2	EL804	AA60-40011B	K EYELET;ID2.2,OD3.2,BSP		2	TOP	AA39-20010D	LEAD CONNECTOR-ASSY;,1PYFH800-01,S,400,	
2	GT101	AA60-40014A	PIN-GT,ASSY,AUTO		2	TOP	AA39-20010D	LEAD CONNECTOR-ASSY;,1PYFH800-01,S,400,	
2	GT502	AA60-40014A	PIN-GT,ASSY,AUTO		2	CN501	AA39-20620C	LEAD CONNECTOR-ASSY;,9PYBNH250-09,S,500	
2	GT802	AA60-40014A	PIN-GT,ASSY,AUTO		2	IC301	AA96-00847A	ASSY H/S;,AA62-00046A,LA7840	
2	GT803	AA60-40014A	PIN-GT,ASSY,AUTO		3		1204-001483	IC-VERTICAL PROCESSOR;LA7840,SIP,7P;708MI	
2	GT804	AA60-40014A	PIN-GT,ASSY,AUTO		3		AA62-00064A	HEAT SINK-PS;DP;-,-,AA62-00046A,-,-,-	
2	GT805	AA60-40014A	PIN-GT,ASSY,AUTO		3		6003-000334	SCREW-TAPTITE,RH,+2S,M3,L6,ZPC(YEL),SWR	
2	GT806	AA60-40014A	PIN-GT,ASSY,AUTO		3		0205-000129	GREASE-SILICON;SC102,JAPAN	
2	GT501	AA60-40014A	PIN-GT,ASSY,AUTO		2	C801	2401-002219	C-AL;220uF,20%,400V,GP,ST;25x40,10	
2	GT807	AA60-40014A	PIN-GT,ASSY,AUTO		△	CR402S	2306-000350	C-FILM,MPPF;270nF,5%,400V,TP,26X18.5X10M	
2	R505	2008-001011	R-FUSIBLE(S);0.18ohm,10%,2W,AF,TP;3.9x10		△	T444S	AA26-00116A	TRANS FBT;FSV-14A004H(S),CT15A8,3.24MH,1	
2	L101	2701-000171	INDUCTOR-AXIAL;330nH,10%,2.5x3.4mm		2	SUB	AA98-00079A	ASSY SUB PART;KS1A,MAIN(OPT),PAL-	
2	HIC01	AA13-20004W	IC-HYBRID;-;PAP103T,SIP6P;PRE-AMPTP		3		0202-000008	SOLDER-WIRE;S63S-W3.0,S63S,D3.63Sn/37Pb,	
2	RW701	2011-001133	R-NETWORK;33K/24K/75x3,5%,1/8W,X,SIP6P,		3		0202-000187	SOLDER-WIRE FLUX;-;RS60S,D1.2,63Sn/37Pb	
2	R814	2008-001086	R-FUSIBLE(S);3.3ohm,5%,2W,AG,TP;3.9x12mm		3		0204-000442	SOLVENT;1M-1000,C3H7OH,96,-	
2	R815	2008-001086	R-FUSIBLE(S);3.3ohm,5%,2W,AG,TP;3.9x12mm		3		0204-001024	FLUX;DF-98TVS,-,20%,-	
2	R421	2008-000254	R-FUSIBLE(S);0.68ohm,5%,2W,AF,TP;3.9x10mm		△	LR401S	AA27-30001B	COIL LINEARITY;-;195uH,QIC1010,PI0,4.4.5	
2	J101	2001-000613	R-CARBON;3.9KOHM,5%,1/8W,AA,TP,1.8X3.2M		△	CR410S	2303-001015	C-FILM,PPF;5.5nF,5%,1.6kV,TP,29x9.5x17.2	
2	L807	2701-001030	INDUCTOR-AXIAL;43uH,10%,5x14mm		2	IC602	AA96-00848A	ASSY H/S;,SOUND,AA62-30175D,TDA8943	
2	L804	2701-001030	INDUCTOR-AXIAL;43uH,10%,5x14mm		3	SCR602	6003-000334	SCREW-TAPTITE,RH,+2S,M3,L6,ZPC(YEL),SWR	
2	C615	2202-000253	C-CERAMIC,MLC-AXIAL;4.7nF,20%,16V,Y5R,TP		3	H/S602	AA62-30175D	HEAT SINK-PS;-,SECC,T1.0,-,33X15X30 FT-2	
2	C822	2401-000711	C-AL;2200uF,20%,25V,GP,TP;16x25,7.5		3	IC602	1201-001740	IC-AUDIO AMP;TDA8943,SIL,9P;850MIL,SINGL	
△	FP801S	3601-000281	FUSE-CARTRIDGE;250V,4A,TIME-LAG,GLASS,5.		2	CN703	3711-002648	CONNECTOR-HEADER;BOX,9P,1R,2.5mm,STRAIGH	
2	R302	2004-004969	R-METAL(S);1.1kOhm,1%,1/2W,AA,TP,2.4x6.4		2	CN603	3711-002643	CONNECTOR-HEADER;BOX,4P,1R,2.5mm,STRAIGH	
2	R808	2001-001138	R-CARBON(S);390OHM,5%,1/2W,AA,TP,2.4X6.4		△	LW01	AA27-40001M	COIL HORIZ. WIDTH;-;180/480uH,SB-5S6202.	
2	R831	2001-001088	R-CARBON(S);1KOHM,5%,1/2W,AA,TP,2.4X6.4M		△	CY801S	2201-000446	C-CERAMIC,DISC;3.3nF,20%,400V,Y5U,TP;15x	
△	D804	0401-000006	DIODE-SWITCHING;BAV21,250V,250mA,DO-35,T		△	IC201S	AA09-00270A	IC-MICOM;TDA9351/N2/3,SPM-802EW2,64P;3.3	
△	D805	0402-001470	DIODE-RECTIFIER;RU2BV1,800V,1A,DO-204AC,		2	T801S	AA26-00134A	TRANS SWITCHING;-;CS21SST;160V-260V,PM2 P	
2	R405	2001-001116	R-CARBON(S);270OHM,5%,1/2W,AA,TP,2.4X6.4M		2	CN401	AA60-40012D	PIN-GT,ASSY;T1.6,6-12.5,NYLON66	
2	C203	2401-002462	C-AL;33uF,20%,16V,GP,TP;5x11.5						
2	R306	2004-001390	R-METAL(S);1kOhm,2%,1/2W,AA,TP,2.4x6.4mm						
2	R811	2003-002239	R-METAL OXIDE(S);100KOHM,5%,2W,AF,TP;3.9						
2	R812	2003-002239	R-METAL OXIDE(S);100KOHM,5%,2W,AF,TP;3.9						
2	R413	2003-001035	R-METAL OXIDE(S);27ohm,5%,2W,AF,TP;3.9x1						
2	C110	2401-000962	C-AL;220uF,20%,50V,GP,TP;5x11.5						

Level	Loc. No.	Code No.	Description ; Specification	Remark
-------	----------	----------	-----------------------------	--------

**ASSY CRT**

1		AA94-11633A	ASSY CRT,;+450MG,21,ITC,A51EFS83X191,9	
△ 2		AA03-00354A	CRT COLOR,A51EFS83X191,450MG,2.0MH,23.0M	
2		AA27-20003Z	COIL DEGAUSSING;-;21,13.5ohm,25T,L2380,E	
2		AA63-10002A	BAND-TIE,NYLON66 V2,L100,NTR	
2		AA98-70030A	ASSY TBC WIRE(P);DP,21,AA98-70014C,1P,TV	
2		AA65-30113A	CLAMPER CORE-D,COIL;-;NYLON 66,V2,-,BLK,	
2		AA39-20518A	LEAD CONNECTOR-ASSY;,6(4)PYFH806-06,350	

**ASSY CABINET FRONT**

1		HA91-00834A	ASSY CABINET FRONT;21F5,KS0A,HIPS,HB,SV	
2	CF+RMC	6002-000515	SCREW-TAPPING;RH,+;2,M4,L15,ZPC(WHT),SWR	
2	CF+SPK	6002-000515	SCREW-TAPPING;RH,+;2,M4,L15,ZPC(WHT),SWR	
2	CF+KC	6002-000515	SCREW-TAPPING;RH,+;2,M4,L15,ZPC(WHT),SWR	
2		AA61-60003J	SPRING ETC-CS;-;SUS304,-,-,OD6,N7,OD6,-,	
2		AA64-70010B	BADGE-BRAND;-;AL,-,-,L50,-,SILVER,SS R20	
2		AA65-30105A	CLAMPER CORE-WIRE;ALL MODEL,NYLON 66,V2,	
2		AA64-01705C	KNOB POWER;21F5,HIPS,HB,GRY	
3		HA83-00006A	LP-RESIN HIPS;,BASF495F,NTR,HB	
3		HA83-00011A	LP-RESIN;,M BATCH,WILSON 6007-GY-60,GRY	
2		HA64-01706B	WINDOW-RMC,LED;21F5,ACRYL,CLEAR	
3		HA83-00010A	LP-RESIN;OROGLAS,VM-100 ZHN 2	
2		AA64-02471A	KNOB CONTROL;21F5,HIPS,HB,GRY	
3		HA83-00006A	LP-RESIN HIPS;,BASF495F,NTR,HB	
3		HA83-00011A	LP-RESIN;,M BATCH,WILSON 6007-GY-60,GRY	
2		AA64-02383A	CABINET-FRONT;21F5,HIPS,HB,SV-012P-II,GR	
3		AA81-00106A	A/S-MARKING PAINT;P432U,DARK GREY,TPC	
3		HA83-00040A	LP-MARKING PAINT;,METALLIC SILVER,SV-012	
3		HA83-00011A	LP-RESIN;,M BATCH,WILSON 6007-GY-60,GRY	
3		HA83-00006A	LP-RESIN HIPS;,BASF495F,NTR,HB	
2		HA83-00049A	LP-ADHESIVE-HM;12MM,NTR	
2		AA96-00852A	ASSY SPEAKER;160HM,3W,3001-001039,700/3	
3		3001-001039	SPEAKER;3W,160HM,90DB,180HZ	
3		AA39-20505M	LEAD CONNECTOR-ASSY;,4PYSH025-04,REC,35	
2		AA61-40113A	STOPPER-PCB;501H,HIPS,-,-,HB,NTR,-	
2		HA61-00721B	HOLDER-RAIL;21F5,HIPS,HB,GRY	
3		HA83-00006A	LP-RESIN HIPS;,BASF495F,NTR,HB	
3		HA83-00011A	LP-RESIN;,M BATCH,WILSON 6007-GY-60,GRY	

**ASSY-CABINET(COM)**

1		AA90-01068B	ASSY-CABINET(COM);KS1A,VL-1823,21F5	
2	CB+CF	6002-000515	SCREW-TAPPING;RH,+;2,M4,L15,ZPC(WHT),SWR	
2	CRT+CF	AA60-10050Q	SCREW-ASSY;-;SWRCH18A,M5,L26.5,HH,+;WC,-	
2	CC	AA65-30008A	CLAMPER CORE-CORD;-;PE,HB,-,BLK,-	
2		HA64-02356B	CABINET BACK;21F5,VL-1823,GRY	
3		AA81-00096A	RESIN-A;VL-1823,G5433,A	
3		HA83-00011A	LP-RESIN;,M BATCH,WILSON 6007-GY-60,GRY	
2		AA65-30009A	CLAMPER CORE-FBT;-;ABS,VO,-,BLK,-	
2		AA65-30018A	CLAMPER CORE-WIRE;DONG-A,NYLON-66,-,-,-,	
2		HA68-02179A	LABEL-RATING;58MM,53MM,WHITE	
2	qms	HA83-00052A	LP-TAPE-INK;WIDTH 55 MM	
2	rating	HA83-00052A	LP-TAPE-INK;WIDTH 55 MM	
2		HA68-02177B	LABEL-POS;ALL,30MM,65MM,WHITE,AA68-02177	

**ASSY ETC-A/V SIDE**

1		AA95-00946A	ASSY ETC-A/V SIDE;-;20F4,S15A,PAL,-,MONO	
2		HA61-00494A	HOLDER-AV;TOOL,20F4,-,-,-,MOLD	
3		HA83-00006A	LP-RESIN HIPS;,BASF495F,NTR,HB	
3		HA83-00011A	LP-RESIN;,M BATCH,WILSON 6007-GY-60,GRY	
3		HA83-00040A	LP-MARKING PAINT;,METALLIC SILVER,SV-012	
2		AA64-01309K	INLAY AV;PS SHEET,21D8,TO.3,-,-,-,S15A M	
2	PCB+HO	6003-001024	SCREW-TAPTITE;RWH,+;B,M4,L12,ZPC(YEL),SW	
2	C/F+HO	6003-001135	SCREW-TAPTITE;TH,+;B,M4,0,L15,BLK,SWRCH1	

Level	Loc. No.	Code No.	Description ; Specification	Remark
-------	----------	----------	-----------------------------	--------

**ASSY ETC**

1		AA95-01478A	ASSY ETC;-;20F4,KS1A	
2	RE01	2001-001153	R-CARBON(S);470HM,5%,1/2W,AA,TP2.4X6.4M	
2	RE02A	2001-001153	R-CARBON(S);470HM,5%,1/2W,AA,TP2.4X6.4M	
2	CE04	2202-000121	C-CERAMIC,MLC-AXIAL;100pF,10%,50V,Y5P,TP	
2	CE07	2202-000222	C-CERAMIC,MLC-AXIAL;3.3nF,20%,16V,Y5P,TP	
2	CE01	2401-001840	C-AL;100uF,20%,16V,GPTP6.3x11.5	
2	LE04	2701-000114	INDUCTOR-AXIAL;10uH,10%,2.5x3.4mm	
2	LE01	2701-000158	INDUCTOR-AXIAL;22uH,10%,2.5x3.4mm	
2	JE01	3812-000219	WIRE-NO SHEATH CU;TCWA,300V,52mm(TAPING)	
2	PCB	AA41-00208C	PCB-FRONT AV;S4/C5 MODEL,FR-1,1L,C,1.6T,	
2	JE601	3722-000143	JACK-PHONE;1P,VER;3.4PI,AG,BLK,NO	
2	JR01	3722-001282	JACK-PIN;2P(3P),3.2mm,AU,BLK,-	
2	CN702	AA39-20112E	LEAD CONNECTOR-ASSY;,9PYBNH025-09,67096	
2		0202-000008	SOLDER-WIRE;S63S-W3.0,S63S,D3,63Sn/37Pb,	
2		0202-000187	SOLDER-WIRE FLUX;-;RS60S,D1.2,63Sn/37Pb	
2		0204-000442	SOLVENT;1M-1000,C3H7OH,96,-	
2		0204-001024	FLUX;DF-98TVS,-;20%,-	

**ASSY ACCESSORY**

1		AA94-05765A	ASSY ACCESSORY;20-21,KS1A,XEC	
2		HA68-02125A	LABEL-A/P120(G),70.69,ALLXEC,BLAC	
2		4301-000120	BATTERY-MIN;1.5V,-;AA,14.5x50mm,-	
2		HA83-00047A	LP-TAPEACETATE;T0.1MM,W20MM,L200MM	
2		HA69-00276A	BAG VINYL;HDPE,TO.025,L400,W240,-;W/O LO	
2		HA68-00336B	CARD-WARRANTY;A/P100(G),A5,NEW VERSION,I	

**ASSY PACKING**

1		AA90-01113A	ASSY PACKING;21F5	
2		AA60-40006A	PIN-STAPLE;AUTO,33X17.8X2.4,H18,33X17.8X	
2		HA69-00908B	CUSHION-SET;21F5,EPS C=0.02	
3		HA83-00058A	LP-RESIN-EPS;,CHEIL SF-301V,WHIT	
2		HA69-00967A	PACKING-CASE;21F5,CB D-2 BB,YEL,KS1A SEH	
2		HA68-02178A	LABEL-BOX;250MM,89MM,WHITE	
2		AA69-00744C	BAG-SHEET;-;HDPE PE FOAM,TO.015,W1050,H9	
2		HA83-00046A	LP-TAPE INK;WIDTH 105 MM	

**REMOCON**

1		AA59-00104N	REMOCON;-;TM59,SIM806E,29,L/GRAY,TTX/MO	
---	--	-------------	---	--

**ASSY POWER CORD**

△ 1		AA96-01126A	ASSY POWER CORD;DP,AA39-10001G,CP2,H/C25	
2		AA39-10001G	CBF POWER CORD;-;KKP-419C,KLCE-2F,2.286m	
2		AA61-20284A	HOLDER-P-CORD,PP,-,-,-,BLK,VO,KE-002	

## 7-5 CB21H12TSXXEC

Level	Loc. No.	Code No.	Description ; Specification	Remark	Level	Loc. No.	Code No.	Description ; Specification	Remark
<b>ASSY PCB MAIN(OPT)</b>									
	1	AA94-05662A	ASSY PCB MAIN(OPT);CB21H1T,KS1A		2	R205	2001-000011	R-CARBON;75KOHM,5%,1/8W,AA,TP1.8X3.2MM	
	2	HA68-02176A	LABEL;LABEL		2	R301	2001-000016	R-CARBON(S);10HM,5%,1/2W,AA,TP2.4X6.4MM	
	2	D201	0401-000005	DIODE-SWITCHING;1N4148,100V,200mA,DO-35,	2	J125	2001-000016	R-CARBON(S);10HM,5%,1/2W,AA,TP2.4X6.4MM	
△	2	D811	0401-000005	DIODE-SWITCHING;1N4148,100V,200mA,DO-35,	2	R843	2001-000019	R-CARBON(S);100HM,5%,1/2W,AA,TP2.4X6.4M	
	2	D501	0402-000254	DIODE-RECTIFIER;RGP10J,600V,1A,DO-41,TP	2	R618	2001-000019	R-CARBON(S);100HM,5%,1/2W,AA,TP2.4X6.4M	
△	2	D803	0402-000254	DIODE-RECTIFIER;RGP10J,600V,1A,DO-41,TP	2	R409	2001-000022	R-CARBON(S);330HM,5%,1/2W,AA,TP2.4X6.4M	
△	2	D807	0402-000493	DIODE-RECTIFIER;1R5GU41,400V,1.5A,DO-15L	2	R823	2001-000037	R-CARBON(S);330OHM,5%,1/2W,AA,TP2.4X6.4	
	2	D301	0402-001105	DIODE-RECTIFIER;ERB43-04SV1,400V,1.0A,-,	2	R902	2001-000241	R-CARBON;1.5KOHM,5%,1/8W,AA,TP1.8X3.2M	
	2	D304	0402-001105	DIODE-RECTIFIER;ERB43-04SV1,400V,1.0A,-,	2	R904	2001-000241	R-CARBON;1.5KOHM,5%,1/8W,AA,TP1.8X3.2M	
△	2	D401	0402-001105	DIODE-RECTIFIER;ERB43-04SV1,400V,1.0A,-,	2	R211	2001-000281	R-CARBON;100OHM,5%,1/8W,AA,TP1.8X3.2MM	
	2	D502	0402-001105	DIODE-RECTIFIER;ERB43-04SV1,400V,1.0A,-,	2	R215	2001-000281	R-CARBON;100OHM,5%,1/8W,AA,TP1.8X3.2MM	
	2	D503	0402-001105	DIODE-RECTIFIER;ERB43-04SV1,400V,1.0A,-,	2	R223	2001-000281	R-CARBON;100OHM,5%,1/8W,AA,TP1.8X3.2MM	
	2	D504	0402-001105	DIODE-RECTIFIER;ERB43-04SV1,400V,1.0A,-,	2	R501	2001-000281	R-CARBON;100OHM,5%,1/8W,AA,TP1.8X3.2MM	
△	2	D812	0402-001105	DIODE-RECTIFIER;ERB43-04SV1,400V,1.0A,-,	2	R502	2001-000281	R-CARBON;100OHM,5%,1/8W,AA,TP1.8X3.2MM	
△	2	D801S	0402-001111	DIODE-RECTIFIER;1N5397GP600V,1.5A,DO-20	2	R506	2001-000281	R-CARBON;100OHM,5%,1/8W,AA,TP1.8X3.2MM	
△	2	D802S	0402-001111	DIODE-RECTIFIER;1N5397GP600V,1.5A,DO-20	2	R510	2001-000281	R-CARBON;100OHM,5%,1/8W,AA,TP1.8X3.2MM	
△	2	D803S	0402-001111	DIODE-RECTIFIER;1N5397GP600V,1.5A,DO-20	2	R511	2001-000281	R-CARBON;100OHM,5%,1/8W,AA,TP1.8X3.2MM	
△	2	D804S	0402-001111	DIODE-RECTIFIER;1N5397GP600V,1.5A,DO-20	2	R512	2001-000281	R-CARBON;100OHM,5%,1/8W,AA,TP1.8X3.2MM	
△	2	D303	0402-000132	DIODE-RECTIFIER;1N4004,400V,1A,DO-41,TP	2	R909	2001-000281	R-CARBON;100OHM,5%,1/8W,AA,TP1.8X3.2MM	
△	2	D809	0402-000132	DIODE-RECTIFIER;1N4004,400V,1A,DO-41,TP	2	R911	2001-000281	R-CARBON;100OHM,5%,1/8W,AA,TP1.8X3.2MM	
	2	D302	0402-001352	DIODE-RECTIFIER;GUF15G-20A,400V,1.5A,DO-	2	R912	2001-000281	R-CARBON;100OHM,5%,1/8W,AA,TP1.8X3.2MM	
	2	DZ402	0403-000508	DIODE-ZENER;MTZJ5.6B,5.6V,5.45-5.73V,500	2	R913	2001-000281	R-CARBON;100OHM,5%,1/8W,AA,TP1.8X3.2MM	
	2	DZ807	0403-000508	DIODE-ZENER;MTZJ5.6B,5.6V,5.45-5.73V,500	2	R914	2001-000281	R-CARBON;100OHM,5%,1/8W,AA,TP1.8X3.2MM	
	2	DZ810	0403-000508	DIODE-ZENER;MTZJ5.6B,5.6V,5.45-5.73V,500	2	J137	2001-000281	R-CARBON;100OHM,5%,1/8W,AA,TP1.8X3.2MM	
	2	DZ903	0403-000508	DIODE-ZENER;MTZJ5.6B,5.6V,5.45-5.73V,500	2	R718	2001-000281	R-CARBON;100OHM,5%,1/8W,AA,TP1.8X3.2MM	
	2	DZ904	0403-000508	DIODE-ZENER;MTZJ5.6B,5.6V,5.45-5.73V,500	2	R213	2001-000281	R-CARBON;100OHM,5%,1/8W,AA,TP1.8X3.2MM	
	2	DZ905	0403-000508	DIODE-ZENER;MTZJ5.6B,5.6V,5.45-5.73V,500	2	R224	2001-000290	R-CARBON;10KOHM,5%,1/8W,AA,TP1.8X3.2MM	
	2	DZ901	0403-000508	DIODE-ZENER;MTZJ5.6B,5.6V,5.45-5.73V,500	2	R828	2001-000290	R-CARBON;10KOHM,5%,1/8W,AA,TP1.8X3.2MM	
	2	DZ101	0403-000700	DIODE-ZENER;TZP33A,33V,31-35V,1W,DO-41,T	2	R910	2001-000290	R-CARBON;10KOHM,5%,1/8W,AA,TP1.8X3.2MM	
	2	DZ303	0403-000700	DIODE-ZENER;TZP33A,33V,31-35V,1W,DO-41,T	2	R919	2001-000290	R-CARBON;10KOHM,5%,1/8W,AA,TP1.8X3.2MM	
	2	DZ803	0403-000700	DIODE-ZENER;TZP33A,33V,31-35V,1W,DO-41,T	2	R920	2001-000290	R-CARBON;10KOHM,5%,1/8W,AA,TP1.8X3.2MM	
	2	DZ201	0403-000720	DIODE-ZENER;MTZJ9.1B,9.1V,8.57-9.01V,500	2	R709	2001-000290	R-CARBON;10KOHM,5%,1/8W,AA,TP1.8X3.2MM	
	2	DZ204	0403-000720	DIODE-ZENER;MTZJ9.1B,9.1V,8.57-9.01V,500	2	R601	2001-000290	R-CARBON;10KOHM,5%,1/8W,AA,TP1.8X3.2MM	
	2	DZ205	0403-000720	DIODE-ZENER;MTZJ9.1B,9.1V,8.57-9.01V,500	2	R230	2001-000290	R-CARBON;10KOHM,5%,1/8W,AA,TP1.8X3.2MM	
	2	DZ207	0403-000720	DIODE-ZENER;MTZJ9.1B,9.1V,8.57-9.01V,500	2	R225	2001-001035	R-CARBON;910HM,5%,1/8W,AA,TP1.8X3.2MM	
	2	DZ501	0403-000720	DIODE-ZENER;MTZJ9.1B,9.1V,8.57-9.01V,500	2	R918	2001-000429	R-CARBON;1KOHM,5%,1/8W,AA,TP1.8X3.2MM	
	2	DZ502	0403-000720	DIODE-ZENER;MTZJ9.1B,9.1V,8.57-9.01V,500	2	R926	2001-000429	R-CARBON;1KOHM,5%,1/8W,AA,TP1.8X3.2MM	
	2	DZ503	0403-000720	DIODE-ZENER;MTZJ9.1B,9.1V,8.57-9.01V,500	2	R210	2001-000429	R-CARBON;1KOHM,5%,1/8W,AA,TP1.8X3.2MM	
	2	DZ504	0403-000720	DIODE-ZENER;MTZJ9.1B,9.1V,8.57-9.01V,500	2	R723	2001-000429	R-CARBON;1KOHM,5%,1/8W,AA,TP1.8X3.2MM	
	2	DZ704	0403-000720	DIODE-ZENER;MTZJ9.1B,9.1V,8.57-9.01V,500	2	R721	2001-000429	R-CARBON;1KOHM,5%,1/8W,AA,TP1.8X3.2MM	
	2	DZ808	0403-000720	DIODE-ZENER;MTZJ9.1B,9.1V,8.57-9.01V,500	2	R916	2001-000449	R-CARBON;2.2KOHM,5%,1/8W,AA,TP1.8X3.2M	
	2	DZ306	0403-000720	DIODE-ZENER;MTZJ9.1B,9.1V,8.57-9.01V,500	2	R917	2001-000449	R-CARBON;2.2KOHM,5%,1/8W,AA,TP1.8X3.2M	
	2	DZ307	0403-000720	DIODE-ZENER;MTZJ9.1B,9.1V,8.57-9.01V,500	2	R220	2001-000472	R-CARBON;2.7KOHM,5%,1/8W,AA,TP1.8X3.2M	
	2	DZ701	0403-000720	DIODE-ZENER;MTZJ9.1B,9.1V,8.57-9.01V,500	2	R901	2001-000472	R-CARBON;2.7KOHM,5%,1/8W,AA,TP1.8X3.2M	
	2	DZ702	0403-000720	DIODE-ZENER;MTZJ9.1B,9.1V,8.57-9.01V,500	2	R903	2001-000472	R-CARBON;2.7KOHM,5%,1/8W,AA,TP1.8X3.2M	
	2	DZ703	0403-000720	DIODE-ZENER;MTZJ9.1B,9.1V,8.57-9.01V,500	2	R907	2001-000472	R-CARBON;2.7KOHM,5%,1/8W,AA,TP1.8X3.2M	
	2	DZ801	0403-001140	DIODE-ZENER;RD10ESAB-T4,10V,9.19-10.30V,	2	R908	2001-000472	R-CARBON;2.7KOHM,5%,1/8W,AA,TP1.8X3.2M	
	2	DZ302	0403-001221	DIODE-ZENER;UZ39BSB,35.36-37.19V,500mW,DO	2	R214	2001-000490	R-CARBON;200OHM,5%,1/8W,AA,TP1.8X3.2MM	
	2	DZ806	0403-001317	DIODE-ZENER;MTZJ3.0B,3.01-3.22V,500mW,DO	2	R206	2001-000563	R-CARBON;27KOHM,5%,1/8W,AA,TP1.8X3.2MM	
	2	DZ802	0403-001318	DIODE-ZENER;MTZJ4.3B,4.17-4.43V,500mW,DO	2	R829	2001-000563	R-CARBON;27KOHM,5%,1/8W,AA,TP1.8X3.2MM	
	2	DZ203	0403-001322	DIODE-ZENER;MTZJ8.2B,7.78-8.19V,500mW,DO	2	R929	2001-000563	R-CARBON;27KOHM,5%,1/8W,AA,TP1.8X3.2MM	
	2	DZ805	0403-001327	DIODE-ZENER;MTZJ18A,16.22-17.06V,500mW,DO	2	R208	2001-000591	R-CARBON;3.3KOHM,5%,1/8W,AA,TP1.8X3.2MM	
	2	DZ301	0403-001328	DIODE-ZENER;MTZJ22A,20.15-21.20V,500mW,DO	2	R933	2001-000281	R-CARBON;100OHM,5%,1/8W,AA,TP1.8X3.2MM	
	2	DZ305	0403-001328	DIODE-ZENER;MTZJ22A,20.15-21.20V,500mW,DO	2	R934	2001-000281	R-CARBON;100OHM,5%,1/8W,AA,TP1.8X3.2MM	
	2	Q201	0501-000283	TR-SMALL SIGNAL;KSA539,PNP,400mW,TO-92,T	2	R202	2001-000689	R-CARBON;390KOHM,5%,1/8W,AA,TP1.8X3.2M	
	2	Q901	0501-000283	TR-SMALL SIGNAL;KSA539,PNP,400mW,TO-92,T	2	R925	2001-000734	R-CARBON;4.7KOHM,5%,1/8W,AA,TP1.8X3.2M	
	2	Q402	0501-000369	TR-SMALL SIGNAL;KSC2331-Y,NPN,1000mW,TO-	2	R841	2001-000734	R-CARBON;4.7KOHM,5%,1/8W,AA,TP1.8X3.2M	
	2	Q202	0501-000389	TR-SMALL SIGNAL;KSC815,NPN,400mW,TO-92,T	2	R602	2001-000734	R-CARBON;4.7KOHM,5%,1/8W,AA,TP1.8X3.2M	
	2	Q205	0501-000389	TR-SMALL SIGNAL;KSC815,NPN,400mW,TO-92,T	2	R227	2001-000739	R-CARBON;4.7MOHM,5%,1/8W,AA,TP1.8X3.2M	
	2	Q903	0501-000389	TR-SMALL SIGNAL;KSC815,NPN,400mW,TO-92,T	2	R228	2001-000739	R-CARBON;4.7MOHM,5%,1/8W,AA,TP1.8X3.2M	
	2	Q905	0501-000389	TR-SMALL SIGNAL;KSC815,NPN,400mW,TO-92,T	2	R109	2001-000786	R-CARBON;47KOHM,5%,1/8W,AA,TP1.8X3.2MM	
	2	Q704	0501-000389	TR-SMALL SIGNAL;KSC815,NPN,400mW,TO-92,T	2	R724	2001-000786	R-CARBON;47KOHM,5%,1/8W,AA,TP1.8X3.2MM	
	2	Q701	0501-000389	TR-SMALL SIGNAL;KSC815,NPN,400mW,TO-92,T	2	R725	2001-000786	R-CARBON;47KOHM,5%,1/8W,AA,TP1.8X3.2MM	
△	2	VX801S	1405-000187	VARISTOR;750V,1250A,12.5x7mm,TP	2	R726	2001-000786	R-CARBON;47KOHM,5%,1/8W,AA,TP1.8X3.2MM	
	2	R207	2001-000005	R-CARBON;390ohm,5%,1/8W,AA,TP1.8x3.2mm	2	R727	2001-000786	R-CARBON;47KOHM,5%,1/8W,AA,TP1.8X3.2MM	
	2	R905	2001-000005	R-CARBON;390ohm,5%,1/8W,AA,TP1.8x3.2mm	2	R209	2001-000793	R-CARBON;47OHM,5%,1/8W,AA,TP1.8X3.2MM	
	2	R906	2001-000005	R-CARBON;390ohm,5%,1/8W,AA,TP1.8x3.2mm	2	R927	2001-000793	R-CARBON;47OHM,5%,1/8W,AA,TP1.8X3.2MM	
	2	R218	2001-000008	R-CARBON;15KOHM,5%,1/8W,AA,TP1.8X3.2MM	2	R203	2001-000857	R-CARBON;560OHM,5%,1/8W,AA,TP1.8X3.2MM	
					2	R204	2001-000857	R-CARBON;560OHM,5%,1/8W,AA,TP1.8X3.2MM	
					2	R713	2001-000857	R-CARBON;560OHM,5%,1/8W,AA,TP1.8X3.2MM	

Electrical Parts List

Level	Loc. No.	Code No.	Description ; Specification	Remark	Level	Loc. No.	Code No.	Description ; Specification	Remark
2	R715	2001-000857	R-CARBON;560OHM,5%,1/8W,AA,TP1.8X3.2MM		2	C227	2301-000445	C-FILM,PEF;4.7nF5%,50V,TP5.5x7x3mm,5mm	
2	R110	2001-000924	R-CARBON;680OHM,5%,1/8W,AA,TP1.8X3.2MM		2	C248	2301-000445	C-FILM,PEF;4.7nF5%,50V,TP5.5x7x3mm,5mm	
2	R915	2001-000924	R-CARBON;680OHM,5%,1/8W,AA,TP1.8X3.2MM		2	C420	2301-001065	C-FILM,MPPF;47nF5%,630V,TP19x15.5x7.7	
2	R722	2001-000924	R-CARBON;680OHM,5%,1/8W,AA,TP1.8X3.2MM		2	C806	2301-001435	C-FILM,PPF;1.5nF5%,1.2kV,TP15x8x12.5mm	
2	R108	2001-000947	R-CARBON;7.5KOHM,5%,1/8W,AA,TP1.8X3.2M		2	C301	2305-000285	C-FILM,MPEF;220nF5%,100V,TP10.5X5.5X15	
2	R222	2001-000947	R-CARBON;7.5KOHM,5%,1/8W,AA,TP1.8X3.2M		2	C215	2305-000289	C-FILM,MPEF;220nF5%,63V,TP,5mm	
2	R702	2001-000969	R-CARBON;750HM,5%,1/8W,AA,TP1.8X3.2MM		2	C216	2305-000289	C-FILM,MPEF;220nF5%,63V,TP,5mm	
2	R719	2001-000969	R-CARBON;750HM,5%,1/8W,AA,TP1.8X3.2MM		2	C233	2305-000289	C-FILM,MPEF;220nF5%,63V,TP,5mm	
2	R720	2001-000969	R-CARBON;750HM,5%,1/8W,AA,TP1.8X3.2MM		2	C613	2305-000289	C-FILM,MPEF;220nF5%,63V,TP,5mm	
2	R408	2001-001037	R-CARBON(S);0.390HM,5%,1/2W,AA,TP2.4X6.		2	C611	2305-000289	C-FILM,MPEF;220nF5%,63V,TP,5mm	
2	R504	2001-001062	R-CARBON(S);10MOHM,5%,1/2W,AA,TP2.4X6.4		△ 2	CR405S	2305-000382	C-FILM,MPEF;4.7nF5%,400V,TP,5mm	
2	R414	2001-001078	R-CARBON(S);15KOHM,5%,1/2W,AA,TP2.4X6.4		2	C207	2305-000412	C-FILM,MPEF;470nF5%,63V,TP,5mm	
2	R806	2001-001108	R-CARBON(S);22KOHM,5%,1/2W,AA,TP2.4X6.4		2	C901	2305-000412	C-FILM,MPEF;470nF5%,63V,TP,5mm	
2	R411	2001-001114	R-CARBON(S);270OHM,5%,1/2W,AA,TP2.4X6.4		2	C103	2305-000665	C-FILM,MPEF;100nF5%,63V,TP7.5x4.0x5.0m	
2	R809	2001-001150	R-CARBON(S);470KOHM,5%,1/2W,AA,TP2.4X6.		2	C208	2305-000665	C-FILM,MPEF;100nF5%,63V,TP7.5x4.0x5.0m	
2	R810	2001-001150	R-CARBON(S);470KOHM,5%,1/2W,AA,TP2.4X6.		2	C210	2305-000665	C-FILM,MPEF;100nF5%,63V,TP7.5x4.0x5.0m	
2	R501H	2002-001008	R-COMPOSITION;1.8Kohm,10%,1/2W,AA,TP3.7		2	C218	2305-000665	C-FILM,MPEF;100nF5%,63V,TP7.5x4.0x5.0m	
2	R502H	2002-001008	R-COMPOSITION;1.8Kohm,10%,1/2W,AA,TP3.7		2	C230	2305-000665	C-FILM,MPEF;100nF5%,63V,TP7.5x4.0x5.0m	
2	R503	2002-001008	R-COMPOSITION;1.8Kohm,10%,1/2W,AA,TP3.7		2	C803	2305-000665	C-FILM,MPEF;100nF5%,63V,TP7.5x4.0x5.0m	
△ 2	RX801S	2002-001011	R-COMPOSITION;3.3Mohm,5%,1/2W,AA,TP3.7x		2	C819	2305-000665	C-FILM,MPEF;100nF5%,63V,TP7.5x4.0x5.0m	
△ 2	RY801S	2002-001012	R-COMPOSITION;8.2Mohm,5%,1/2W,AA,TP3.7x		2	C913	2305-000665	C-FILM,MPEF;100nF5%,63V,TP7.5x4.0x5.0m	
2	R827	2003-000652	R-METAL OXIDE(S);330ohm,5%,2W,AF,TP4x12		2	C204	2305-000665	C-FILM,MPEF;100nF5%,63V,TP7.5x4.0x5.0m	
2	R316	2003-000652	R-METAL OXIDE(S);330ohm,5%,2W,AF,TP4x12		2	C205	2305-000665	C-FILM,MPEF;100nF5%,63V,TP7.5x4.0x5.0m	
2	R315	2003-000652	R-METAL OXIDE(S);330ohm,5%,2W,AF,TP4x12		2	C231	2305-000665	C-FILM,MPEF;100nF5%,63V,TP7.5x4.0x5.0m	
2	R403	2003-000784	R-METAL OXIDE(S);7.5Kohm,5%,2W,AF,TP4x1		2	C618	2305-000665	C-FILM,MPEF;100nF5%,63V,TP7.5x4.0x5.0m	
2	R834	2003-001040	R-METAL OXIDE(S);47Kohm,5%,2W,AF,TP3.9x		2	C225	2309-000138	C-FILM,PE-PPF;100nF5%,50V,TP20x16x8.5	
2	R303	2008-001133	R-FUSIBLE(S);0.75ohm,5%,2W,AF,TP3.9x10m		2	C812	2401-000262	C-AL;100uF20%,160V,VHR,TP16x25,7.5	
2	R801	2003-002171	R-METAL OXIDE(S);150ohm,5%,2W,AG,TP3.9x		2	C817	2401-000302	C-AL;100uF20%,25V,GTP,TP6.3x11,5	
2	R402	2003-002178	R-METAL OXIDE(S);1Kohm,5%,2W,AG,TP3.9x1		2	C823	2401-000302	C-AL;100uF20%,25V,GTP,TP6.3x11,5	
2	R407	2003-002209	R-METAL OXIDE(S);47Kohm,5%,2W,AG,TP3.9X		2	C915	2401-000302	C-AL;100uF20%,25V,GTP,TP6.3x11,5	
2	R423	2004-001373	R-METAL(S);100Kohm,1%,1/2W,AA,TP2.4x6.4		2	C307	2401-000360	C-AL;100uF20%,50V,GTP,TP8x11,5,5	
2	R424	2004-001402	R-METAL(S);6.8Kohm,1%,1/2W,AA,TP2.4x6.4		2	C308	2401-000360	C-AL;100uF20%,50V,GTP,TP8x11,5,5	
2	R219	2004-001914	R-METAL;39Kohm,2%,1/8W,AA,TP1.8x3.5mm		2	C506	2401-000430	C-AL;10uF20%,250V,GTP,TP10x16mm,5m	
2	R817	2004-004089	R-METAL(S);123Kohm,1%,1/2W,AA,TP2.5x6.5		2	C820	2401-000480	C-AL;10uF20%,50V,GTP,TP5x11,5	
2	R304	2008-000253	R-FUSIBLE(S);0.47ohm,5%,1W,AF,TP3.9x10m		2	C612	2401-000480	C-AL;10uF20%,50V,GTP,TP5x11,5	
2	R305	2008-000253	R-FUSIBLE(S);0.47ohm,5%,1W,AF,TP3.9x10m		2	C604	2401-000480	C-AL;10uF20%,50V,GTP,TP5x11,5	
2	R825	2008-000266	R-FUSIBLE(S);1ohm,5%,2W,AF,TP3.9x10mm		2	CA03	2401-000560	C-AL;1uF20%,160V,GTP,TP6.3x11,5	
2	R824	2008-000294	R-FUSIBLE(S);33ohm,5%,2W,AF,TP3.9x10mm		2	C219	2401-000603	C-AL;1uF20%,50V,GTP,TP5x11,5	
2	R420	2008-001110	R-FUSIBLE(S);68ohm,5%,2W,AG,TP3.9X12mm		2	C212	2401-000660	C-AL;2.2uF20%,50V,GTP,TP5x11,5	
2	C904	2201-000180	C-CERAMIC,DISC;10nF,10%,50V,Y5V,TP7x3,5		2	C221	2401-000660	C-AL;2.2uF20%,50V,GTP,TP5x11,5	
2	C501	2201-000192	C-CERAMIC,DISC;0.01nF,0.25pF,500V,NP0,TP		2	C605	2401-000660	C-AL;2.2uF20%,50V,GTP,TP5x11,5	
2	C302	2201-000259	C-CERAMIC,DISC;0.18nF,10%,500V,Y5P,TP5.		2	C222	2401-000758	C-AL;220nF20%,50V,GTP,TP5x11,5	
2	C303	2201-000556	C-CERAMIC,DISC;0.47nF,10%,500V,Y5P,TP5.		2	C827	2401-000927	C-AL;22uF20%,250V,GTP,TP13x20,5	
2	C305	2201-000556	C-CERAMIC,DISC;0.47nF,10%,500V,Y5P,TP5.		2	C101	2401-001101	C-AL;330uF20%,16V,GTP,TP8x11,5,5	
2	C908	2201-000573	C-CERAMIC,DISC;0.047nF,5%,50V,NP0,TP5x3		2	C802	2401-001192	C-AL;33uF20%,50V,GTP,TP6.3x11,5	
2	C909	2201-000573	C-CERAMIC,DISC;0.047nF,5%,50V,NP0,TP5x3		2	C504	2401-001232	C-AL;4.7uF20%,250V,GTP,TP10x12,5,5	
2	CA08	2201-000599	C-CERAMIC,DISC;0.56nF,10%,500V,Y5P,TP5.		2	C209	2401-001840	C-AL;100uF20%,16V,GTP,TP6.3x11,5	
△ 2	CR404S	2201-000639	C-CERAMIC,DISC;0.68nF,10%,2kV,Y5P,TP9x5		2	C213	2401-001840	C-AL;100uF20%,16V,GTP,TP6.3x11,5	
2	C503	2201-000723	C-CERAMIC,DISC;4.7nF,20%,3KV,Y5U,TP16x5		2	C229	2401-001840	C-AL;100uF20%,16V,GTP,TP6.3x11,5	
2	C811	2201-000991	C-CERAMIC,DISC;0.56nF,10%,2kV,Y5P,TP7,5		2	C903	2401-001840	C-AL;100uF20%,16V,GTP,TP6.3x11,5	
2	C814	2201-000991	C-CERAMIC,DISC;0.56nF,10%,2kV,Y5P,TP7,5		2	C910	2401-001840	C-AL;100uF20%,16V,GTP,TP6.3x11,5	
△ 2	CR409S	2201-000991	C-CERAMIC,DISC;0.56nF,10%,2kV,Y5P,TP7,5		2	C705	2401-001989	C-AL;4.7uF20%,50V,BPT,TP5x11,5	
2	C704	2202-000121	C-CERAMIC,MLC-AXIAL;100pF,10%,50V,Y5PTP		2	C706	2401-001989	C-AL;4.7uF20%,50V,BPT,TP5x11,5	
2	C703	2202-000121	C-CERAMIC,MLC-AXIAL;100pF,10%,50V,Y5PTP		2	C710	2401-001989	C-AL;4.7uF20%,50V,BPT,TP5x11,5	
2	C106	2202-000127	C-CERAMIC,MLC-AXIAL;10nF,+80-20%,25V,Y5V		2	C711	2401-001989	C-AL;4.7uF20%,50V,BPT,TP5x11,5	
2	C111	2202-000127	C-CERAMIC,MLC-AXIAL;10nF,+80-20%,25V,Y5V		2	C601	2401-001998	C-AL;1000uF20%,25V,GTP,TP10x20,5mm	
2	C105	2202-000127	C-CERAMIC,MLC-AXIAL;10nF,+80-20%,25V,Y5V		2	C206	2401-002235	C-AL;10uF20%,16V,GTP,TP5x11mm,5mm	
2	C702	2202-000210	C-CERAMIC,MLC-AXIAL;270pF,10%,50V,Y5PTP		2	C220	2401-002235	C-AL;10uF20%,16V,GTP,TP5x11mm,5mm	
2	C115	2202-000632	C-CERAMIC,MLC-AXIAL;100nF,20%,50V,Z5U,TP		2	C709	2401-002235	C-AL;10uF20%,16V,GTP,TP5x11mm,5mm	
2	C211	2202-000632	C-CERAMIC,MLC-AXIAL;100nF,20%,50V,Z5U,TP		2	C306	2401-002288	C-AL;470uF20%,25V,WT,TP10x20,5	
2	C911	2202-000632	C-CERAMIC,MLC-AXIAL;100nF,20%,50V,Z5U,TP		2	C304	2401-002288	C-AL;470uF20%,25V,WT,TP10x20,5	
2	C223	2202-000796	C-CERAMIC,MLC-AXIAL;1nF,10%,50V,Y5PTP3		2	C813	2401-002290	C-AL;47uF20%,160V,GTP,TP13x20,5	
2	C224	2202-000796	C-CERAMIC,MLC-AXIAL;1nF,10%,50V,Y5PTP3		2	CA06	2401-002619	C-AL;47uF20%,25V,GTP,TP5x11,5	
2	C906	2202-000796	C-CERAMIC,MLC-AXIAL;1nF,10%,50V,Y5PTP3		2	C214	2401-003102	C-AL;100uF20%,10V,GTP,TP5x11,5	
2	C505	2202-000825	C-CERAMIC,MLC-AXIAL;680pF,10%,50V,Y5PTP		2	L103	2701-000114	INDUCTOR-AXIAL;10uH,10%,2.5x3.4mm	
2	C226	2202-000829	C-CERAMIC,MLC-AXIAL;0.82nF,10%,50V,Y5PT		2	L202	2701-000114	INDUCTOR-AXIAL;10uH,10%,2.5x3.4mm	
2	C707	2301-000204	C-FILM,PEF;2.7nF5%,50V,TP7.4x3.9x13mm,		2	L301	2701-000142	INDUCTOR-AXIAL;1uH,10%,2.5x3.4mm	
2	C502	2301-000213	C-FILM,PEF;220nF5%,250V,TP21.5x11,7,5		2	L302	2701-000142	INDUCTOR-AXIAL;1uH,10%,2.5x3.4mm	
2	C109	2301-000224	C-FILM,PEF;22nF5%,50V,TP7.4x3.9x13mm,5		2	L404	2701-000142	INDUCTOR-AXIAL;1uH,10%,2.5x3.4mm	
2	C804	2301-000224	C-FILM,PEF;22nF5%,50V,TP7.4x3.9x13mm,5		2	L903	2701-000158	INDUCTOR-AXIAL;22uH,10%,2.5x3.4mm	
2	C805	2301-000235	C-FILM,PEF;3.9nF5%,50V,TP6.5x3.0x5.5mm		2	L102	2701-000159	INDUCTOR-AXIAL;22uH,10%,4.2x9.8mm	
2	C309	2301-000254	C-FILM,PEF;39nF5%,50V,TP7.5x3.5x6.5mm,		2	L201	2701-000159	INDUCTOR-AXIAL;22uH,10%,4.2x9.8mm	
2	C606	2301-000111	C-FILM,PEF;1.8nF5%,50V,TP6.5x3.0x5.5mm		2	L205	2701-000159	INDUCTOR-AXIAL;22uH,10%,4.2x9.8mm	
2	C217	2301-000342	C-FILM,PEF;2.2nF5%,50V,TP7.4x3.9x13mm,		2	L405	2701-000159	INDUCTOR-AXIAL;22uH,10%,4.2x9.8mm	
2	C234	2301-000342	C-FILM,PEF;2.2nF5%,50V,TP7.4x3.9x13mm,		2	L104	2701-000168	INDUCTOR-AXIAL;3.3uH,5%,2.5x3.4mm	
2	C407	2301-000383	C-FILM,PEF;10nF5%,50V,TP6x7x3.2mm,5mm		2	L204	2701-000168	INDUCTOR-AXIAL;3.3uH,5%,2.5x3.4mm	

Level	Loc. No.	Code No.	Description ; Specification	Remark	Level	Loc. No.	Code No.	Description ; Specification	Remark	
2	L902	2701-000180	INDUCTOR-AXIAL;33uH,5%,2.5x3.4mm		2	J175	3812-000219	WIRE-NO SHEATH CU;TCWA,300V,52mm(TAPING)		
2	L904	2701-000180	INDUCTOR-AXIAL;33uH,5%,2.5x3.4mm		2	J176	3812-000219	WIRE-NO SHEATH CU;TCWA,300V,52mm(TAPING)		
2	L702	2701-000184	INDUCTOR-AXIAL;4.7uH,10%,2.5x3.4mm		2	J181	3812-000219	WIRE-NO SHEATH CU;TCWA,300V,52mm(TAPING)		
2	L703	2701-000184	INDUCTOR-AXIAL;4.7uH,10%,2.5x3.4mm		2	J182	3812-000219	WIRE-NO SHEATH CU;TCWA,300V,52mm(TAPING)		
2	L704	2701-000184	INDUCTOR-AXIAL;4.7uH,10%,2.5x3.4mm		2	J183	3812-000219	WIRE-NO SHEATH CU;TCWA,300V,52mm(TAPING)		
2	L706	2701-000184	INDUCTOR-AXIAL;4.7uH,10%,2.5x3.4mm		2	J184	3812-000219	WIRE-NO SHEATH CU;TCWA,300V,52mm(TAPING)		
2	X901	2801-003937	CRYSTAL-UNIT;12MHz,25ppm,28-AAM,30pf,30o		2	J185	3812-000219	WIRE-NO SHEATH CU;TCWA,300V,52mm(TAPING)		
△	2	L403	2901-000297	FILTER-EMI ON BOARD;-3A,-,-,3.5x5,TP-		2	J186	3812-000219	WIRE-NO SHEATH CU;TCWA,300V,52mm(TAPING)	
2	L806	2901-000297	FILTER-EMI ON BOARD;-3A,-,-,3.5x5,TP-		2	J187	3812-000219	WIRE-NO SHEATH CU;TCWA,300V,52mm(TAPING)		
2	L808	2901-000297	FILTER-EMI ON BOARD;-3A,-,-,3.5x5,TP-		2	J189	3812-000219	WIRE-NO SHEATH CU;TCWA,300V,52mm(TAPING)		
2	Z202	2903-001040	FILTER-CERAMIC;TR,5.5/6.0/6.5MHz,-,1dB,-		2	J190	3812-000219	WIRE-NO SHEATH CU;TCWA,300V,52mm(TAPING)		
2	J910	3301-000287	CORE-FERRITE BEAD;AA,3.5x1.0x6.0mm,1500,		2	J192	3812-000219	WIRE-NO SHEATH CU;TCWA,300V,52mm(TAPING)		
2	L802	3301-000287	CORE-FERRITE BEAD;AA,3.5x1.0x6.0mm,1500,		2	J193	3812-000219	WIRE-NO SHEATH CU;TCWA,300V,52mm(TAPING)		
2	L803	3301-000287	CORE-FERRITE BEAD;AA,3.5x1.0x6.0mm,1500,		2	J195	3812-000219	WIRE-NO SHEATH CU;TCWA,300V,52mm(TAPING)		
2	SW901	3404-000244	SWITCH-TACT;15V,20mA,90-170gf,7.5x7mm,SP		2	J196	3812-000219	WIRE-NO SHEATH CU;TCWA,300V,52mm(TAPING)		
2	SW902	3404-000244	SWITCH-TACT;15V,20mA,90-170gf,7.5x7mm,SP		2	J198	3812-000219	WIRE-NO SHEATH CU;TCWA,300V,52mm(TAPING)		
2	SW903	3404-000244	SWITCH-TACT;15V,20mA,90-170gf,7.5x7mm,SP		2	J209	3812-000219	WIRE-NO SHEATH CU;TCWA,300V,52mm(TAPING)		
2	SW904	3404-000244	SWITCH-TACT;15V,20mA,90-170gf,7.5x7mm,SP		2	J211	3812-000219	WIRE-NO SHEATH CU;TCWA,300V,52mm(TAPING)		
2	SW905	3404-000244	SWITCH-TACT;15V,20mA,90-170gf,7.5x7mm,SP		2	J212	3812-000219	WIRE-NO SHEATH CU;TCWA,300V,52mm(TAPING)		
△	2	FD801S	3601-001163	FUSE-AXIAL LEAD;125V,7A,-,EPOXY,2.4X7.1M		2	J401	3812-000219	WIRE-NO SHEATH CU;TCWA,300V,52mm(TAPING)	
2	F801A	3602-000114	FUSE-HOLDER;-,-,30mohm		2	J803	3812-000219	WIRE-NO SHEATH CU;TCWA,300V,52mm(TAPING)		
2	F801B	3602-000114	FUSE-HOLDER;-,-,30mohm		2	J807	3812-000219	WIRE-NO SHEATH CU;TCWA,300V,52mm(TAPING)		
2	C107	3812-000219	WIRE-NO SHEATH CU;TCWA,300V,52mm(TAPING)		2	J812	3812-000219	WIRE-NO SHEATH CU;TCWA,300V,52mm(TAPING)		
2	C507	3812-000219	WIRE-NO SHEATH CU;TCWA,300V,52mm(TAPING)		2	J902	3812-000219	WIRE-NO SHEATH CU;TCWA,300V,52mm(TAPING)		
2	C508	3812-000219	WIRE-NO SHEATH CU;TCWA,300V,52mm(TAPING)		△	2	NT801S	3812-000219	WIRE-NO SHEATH CU;TCWA,300V,52mm(TAPING)	
2	C912	3812-000219	WIRE-NO SHEATH CU;TCWA,300V,52mm(TAPING)		2	R309	3812-000219	WIRE-NO SHEATH CU;TCWA,300V,52mm(TAPING)		
2	D202	3812-000219	WIRE-NO SHEATH CU;TCWA,300V,52mm(TAPING)		2	R406	3812-000219	WIRE-NO SHEATH CU;TCWA,300V,52mm(TAPING)		
2	J102	3812-000219	WIRE-NO SHEATH CU;TCWA,300V,52mm(TAPING)		△	2	R422S	3812-000219	WIRE-NO SHEATH CU;TCWA,300V,52mm(TAPING)	
2	J103	3812-000219	WIRE-NO SHEATH CU;TCWA,300V,52mm(TAPING)		2	R507	3812-000219	WIRE-NO SHEATH CU;TCWA,300V,52mm(TAPING)		
2	J104	3812-000219	WIRE-NO SHEATH CU;TCWA,300V,52mm(TAPING)		2	R508	3812-000219	WIRE-NO SHEATH CU;TCWA,300V,52mm(TAPING)		
2	J105	3812-000219	WIRE-NO SHEATH CU;TCWA,300V,52mm(TAPING)		2	R509	3812-000219	WIRE-NO SHEATH CU;TCWA,300V,52mm(TAPING)		
2	J106	3812-000219	WIRE-NO SHEATH CU;TCWA,300V,52mm(TAPING)		2	R717	3812-000219	WIRE-NO SHEATH CU;TCWA,300V,52mm(TAPING)		
2	J107	3812-000219	WIRE-NO SHEATH CU;TCWA,300V,52mm(TAPING)		2	J153	3812-000219	WIRE-NO SHEATH CU;TCWA,300V,52mm(TAPING)		
2	J108	3812-000219	WIRE-NO SHEATH CU;TCWA,300V,52mm(TAPING)		2	J174	3812-000219	WIRE-NO SHEATH CU;TCWA,300V,52mm(TAPING)		
2	J110	3812-000219	WIRE-NO SHEATH CU;TCWA,300V,52mm(TAPING)		2	J204	3812-000219	WIRE-NO SHEATH CU;TCWA,300V,52mm(TAPING)		
2	J111	3812-000219	WIRE-NO SHEATH CU;TCWA,300V,52mm(TAPING)		2	J177	3812-000219	WIRE-NO SHEATH CU;TCWA,300V,52mm(TAPING)		
2	J113	3812-000219	WIRE-NO SHEATH CU;TCWA,300V,52mm(TAPING)		2	J199	3812-000219	WIRE-NO SHEATH CU;TCWA,300V,52mm(TAPING)		
2	J114	3812-000219	WIRE-NO SHEATH CU;TCWA,300V,52mm(TAPING)		2	J112	3812-000219	WIRE-NO SHEATH CU;TCWA,300V,52mm(TAPING)		
2	J120	3812-000219	WIRE-NO SHEATH CU;TCWA,300V,52mm(TAPING)		2	J913	3812-000219	WIRE-NO SHEATH CU;TCWA,300V,52mm(TAPING)		
2	J121	3812-000219	WIRE-NO SHEATH CU;TCWA,300V,52mm(TAPING)		2	J169	3812-000219	WIRE-NO SHEATH CU;TCWA,300V,52mm(TAPING)		
2	J122	3812-000219	WIRE-NO SHEATH CU;TCWA,300V,52mm(TAPING)		2	R701	3812-000219	WIRE-NO SHEATH CU;TCWA,300V,52mm(TAPING)		
2	J124	3812-000219	WIRE-NO SHEATH CU;TCWA,300V,52mm(TAPING)		2	L910	3812-000219	WIRE-NO SHEATH CU;TCWA,300V,52mm(TAPING)		
2	J126	3812-000219	WIRE-NO SHEATH CU;TCWA,300V,52mm(TAPING)		2	J200	3812-000219	WIRE-NO SHEATH CU;TCWA,300V,52mm(TAPING)		
2	J127	3812-000219	WIRE-NO SHEATH CU;TCWA,300V,52mm(TAPING)		2	J117	3812-000219	WIRE-NO SHEATH CU;TCWA,300V,52mm(TAPING)		
2	J128	3812-000219	WIRE-NO SHEATH CU;TCWA,300V,52mm(TAPING)		△	2	D802	3812-000219	WIRE-NO SHEATH CU;TCWA,300V,52mm(TAPING)	
2	J129	3812-000219	WIRE-NO SHEATH CU;TCWA,300V,52mm(TAPING)		2	R805	3812-000219	WIRE-NO SHEATH CU;TCWA,300V,52mm(TAPING)		
2	J131	3812-000219	WIRE-NO SHEATH CU;TCWA,300V,52mm(TAPING)		2	R850	3812-000219	WIRE-NO SHEATH CU;TCWA,300V,52mm(TAPING)		
2	J132	3812-000219	WIRE-NO SHEATH CU;TCWA,300V,52mm(TAPING)		2	R229	3812-000219	WIRE-NO SHEATH CU;TCWA,300V,52mm(TAPING)		
2	J133	3812-000219	WIRE-NO SHEATH CU;TCWA,300V,52mm(TAPING)		2	R107	3812-000219	WIRE-NO SHEATH CU;TCWA,300V,52mm(TAPING)		
2	J134	3812-000219	WIRE-NO SHEATH CU;TCWA,300V,52mm(TAPING)		2	J179	3812-000219	WIRE-NO SHEATH CU;TCWA,300V,52mm(TAPING)		
2	J135	3812-000219	WIRE-NO SHEATH CU;TCWA,300V,52mm(TAPING)		2	J180	3812-000219	WIRE-NO SHEATH CU;TCWA,300V,52mm(TAPING)		
2	J136	3812-000219	WIRE-NO SHEATH CU;TCWA,300V,52mm(TAPING)		2	J601	3812-000219	WIRE-NO SHEATH CU;TCWA,300V,52mm(TAPING)		
2	J138	3812-000219	WIRE-NO SHEATH CU;TCWA,300V,52mm(TAPING)		2	J603	3812-000219	WIRE-NO SHEATH CU;TCWA,300V,52mm(TAPING)		
2	J139	3812-000219	WIRE-NO SHEATH CU;TCWA,300V,52mm(TAPING)		2	J814	3812-000219	WIRE-NO SHEATH CU;TCWA,300V,52mm(TAPING)		
2	J140	3812-000219	WIRE-NO SHEATH CU;TCWA,300V,52mm(TAPING)		2	R101	3812-000219	WIRE-NO SHEATH CU;TCWA,300V,52mm(TAPING)		
2	J142	3812-000219	WIRE-NO SHEATH CU;TCWA,300V,52mm(TAPING)		2	R102	3812-000219	WIRE-NO SHEATH CU;TCWA,300V,52mm(TAPING)		
2	J143	3812-000219	WIRE-NO SHEATH CU;TCWA,300V,52mm(TAPING)		2	R708	3812-000219	WIRE-NO SHEATH CU;TCWA,300V,52mm(TAPING)		
2	J145	3812-000219	WIRE-NO SHEATH CU;TCWA,300V,52mm(TAPING)		2	J207	3812-000219	WIRE-NO SHEATH CU;TCWA,300V,52mm(TAPING)		
2	J146	3812-000219	WIRE-NO SHEATH CU;TCWA,300V,52mm(TAPING)		2	PCB	AA41-00131G	PCB-MAIN;CS2139,FR-1,1L,G,1.6T,245X245,K		
2	J147	3812-000219	WIRE-NO SHEATH CU;TCWA,300V,52mm(TAPING)		2	EY101	AA60-40011A	K EYELET;ID2.0,OD2.8,BST		
2	J148	3812-000219	WIRE-NO SHEATH CU;TCWA,300V,52mm(TAPING)		2	EY401	AA60-40011A	K EYELET;ID2.0,OD2.8,BST		
2	J150	3812-000219	WIRE-NO SHEATH CU;TCWA,300V,52mm(TAPING)		2	EY402	AA60-40011A	K EYELET;ID2.0,OD2.8,BST		
2	J151	3812-000219	WIRE-NO SHEATH CU;TCWA,300V,52mm(TAPING)		2	EY403	AA60-40011A	K EYELET;ID2.0,OD2.8,BST		
2	J152	3812-000219	WIRE-NO SHEATH CU;TCWA,300V,52mm(TAPING)		2	EY404	AA60-40011A	K EYELET;ID2.0,OD2.8,BST		
2	J154	3812-000219	WIRE-NO SHEATH CU;TCWA,300V,52mm(TAPING)		2	EY405	AA60-40011A	K EYELET;ID2.0,OD2.8,BST		
2	J155	3812-000219	WIRE-NO SHEATH CU;TCWA,300V,52mm(TAPING)		2	EY406	AA60-40011A	K EYELET;ID2.0,OD2.8,BST		
2	J156	3812-000219	WIRE-NO SHEATH CU;TCWA,300V,52mm(TAPING)		2	EY407	AA60-40011A	K EYELET;ID2.0,OD2.8,BST		
2	J157	3812-000219	WIRE-NO SHEATH CU;TCWA,300V,52mm(TAPING)		2	EY408	AA60-40011A	K EYELET;ID2.0,OD2.8,BST		
2	J158	3812-000219	WIRE-NO SHEATH CU;TCWA,300V,52mm(TAPING)		2	EY409	AA60-40011A	K EYELET;ID2.0,OD2.8,BST		
2	J159	3812-000219	WIRE-NO SHEATH CU;TCWA,300V,52mm(TAPING)		2	EY410	AA60-40011A	K EYELET;ID2.0,OD2.8,BST		
2	J160	3812-000219	WIRE-NO SHEATH CU;TCWA,300V,52mm(TAPING)		2	EY411	AA60-40011A	K EYELET;ID2.0,OD2.8,BST		
2	J163	3812-000219	WIRE-NO SHEATH CU;TCWA,300V,52mm(TAPING)		2	EY412	AA60-40011A	K EYELET;ID2.0,OD2.8,BST		
2	J167	3812-000219	WIRE-NO SHEATH CU;TCWA,300V,52mm(TAPING)		2	EY414	AA60-40011A	K EYELET;ID2.0,OD2.8,BST		
2	J168	3812-000219	WIRE-NO SHEATH CU;TCWA,300V,52mm(TAPING)		2	EY415	AA60-40011A	K EYELET;ID2.0,OD2.8,BST		
2	J170	3812-000219	WIRE-NO SHEATH CU;TCWA,300V,52mm(TAPING)		2	EY416	AA60-40011A	K EYELET;ID2.0,OD2.8,BST		
2	J171	3812-000219	WIRE-NO SHEATH CU;TCWA,300V,52mm(TAPING)		2	EY417	AA60-40011A	K EYELET;ID2.0,OD2.8,BST		
2	J173	3812-000219	WIRE-NO SHEATH CU;TCWA,300V,52mm(TAPING)		2	EY419	AA60-40011A	K EYELET;ID2.0,OD2.8,BST		

Electrical Parts List

Level	Loc. No.	Code No.	Description ; Specification	Remark	Level	Loc. No.	Code No.	Description ; Specification	Remark
2	EY420	AA60-40011A	K EYELET;ID2.0,OD2.8,BST		2	R811	2003-002239	R-METAL OXIDE(S);100KOHM,5%,2W,AF,TP,3.9	
2	EY421	AA60-40011A	K EYELET;ID2.0,OD2.8,BST		2	R812	2003-002239	R-METAL OXIDE(S);100KOHM,5%,2W,AF,TP,3.9	
2	EY422	AA60-40011A	K EYELET;ID2.0,OD2.8,BST		2	R413	2003-001035	R-METAL OXIDE(S);27ohm,5%,2W,AF,TP,3.9x1	
2	EY423	AA60-40011A	K EYELET;ID2.0,OD2.8,BST		2	C110	2401-000962	C-AL;220uF,20%,50V,GP,TP5x11.5	
2	EY501	AA60-40011A	K EYELET;ID2.0,OD2.8,BST		2	R840	2001-001122	R-CARBON(S);3.9KOHM,5%,1/2W,AA,TP,2.4X6.	
2	EY801	AA60-40011A	K EYELET;ID2.0,OD2.8,BST		2	C818	2401-003028	C-AL;100uF,20%,25V,WT,TP6.3x11.5	
2	EY802	AA60-40011A	K EYELET;ID2.0,OD2.8,BST		2	C821	2401-003028	C-AL;100uF,20%,25V,WT,TP6.3x11.5	
2	EY803	AA60-40011A	K EYELET;ID2.0,OD2.8,BST		2	R728	2001-000273	R-CARBON;100KOHM,5%,1/8W,AA,TP,1.8X3.2M	
2	EY807	AA60-40011A	K EYELET;ID2.0,OD2.8,BST		2	R923	2001-000273	R-CARBON;100KOHM,5%,1/8W,AA,TP,1.8X3.2M	
2	EY808	AA60-40011A	K EYELET;ID2.0,OD2.8,BST		2	C603	2301-000247	C-FILM,PEF;33nF,5%,50V,TP,8.1x4.5x13mm.5	
2	EY809	AA60-40011A	K EYELET;ID2.0,OD2.8,BST		2	0203-001123	TAPE-PAPER;#53131,TO.15,W6.0,L200000,YEL		
2	EY810	AA60-40011A	K EYELET;ID2.0,OD2.8,BST		2	C102	2202-000279	C-CERAMIC,MLC-AXIAL;47pF,5%,50V,SL,TP,3.	
2	EY813	AA60-40011A	K EYELET;ID2.0,OD2.8,BST		2	DZ401	0403-001319	DIODE-ZENER;MTZJ4.7C,4.68-4.93V,500mW,DO	
2	EY818	AA60-40011A	K EYELET;ID2.0,OD2.8,BST		2	DZ906	0403-001319	DIODE-ZENER;MTZJ4.7C,4.68-4.93V,500mW,DO	
2	EY819	AA60-40011A	K EYELET;ID2.0,OD2.8,BST		2	DZ907	0403-001319	DIODE-ZENER;MTZJ4.7C,4.68-4.93V,500mW,DO	
2	EY821	AA60-40011A	K EYELET;ID2.0,OD2.8,BST		2	DZ908	0403-001319	DIODE-ZENER;MTZJ4.7C,4.68-4.93V,500mW,DO	
2	EY823	AA60-40011A	K EYELET;ID2.0,OD2.8,BST		△ 2	NT802S	1404-001045	THERMISTOR-NTC;4.7ohm,15%,2900K,35.0mW,T	
2	EY824	AA60-40011A	K EYELET;ID2.0,OD2.8,BST		△ 2	P803S	1404-001156	THERMISTOR-PTC;90OHM,+30%/ -20%,220VRMS,27	
2	EY825	AA60-40011A	K EYELET;ID2.0,OD2.8,BST		△ 2	CX801S	2306-000318	C-FILM,MPPF;220nF,20%,250V,TP,-,2.5mm	
2	EY827	AA60-40011A	K EYELET;ID2.0,OD2.8,BST		△ 2	SF101S	2904-001070	FILTER-SAW AV;38.9MHz,SIP5K,TP,14.6dB,B/	
2	EY828	AA60-40011A	K EYELET;ID2.0,OD2.8,BST		△ 2	T401	AA26-50001B	TRANS-HORIZ.DRIVE,-,-,7.1mH,-,102uH,	
2	EY829	AA60-40011A	K EYELET;ID2.0,OD2.8,BST		△ 2	LX801S	AA29-30001D	FILTER LINE NOISE;SQ1913,-,6.0MH,0.8A,-	
2	EY830	AA60-40011A	K EYELET;ID2.0,OD2.8,BST		△ 2	TU01S	AA40-00076A	TUNER;TECC0949PG35(A)(S),PAL,181CH,38.	
2	EY833	AA60-40011A	K EYELET;ID2.0,OD2.8,BST		2	LD901	AA96-00555A	ASSY LED GUIDE,-,-,UJEX-LD-030,GREEN	
2	EY850	AA60-40011A	K EYELET;ID2.0,OD2.8,BST		2	IC501	AA96-00842A	ASSY H/S,VIDEO,AA62-30175D,TDA6107Q	
2	EY851	AA60-40011A	K EYELET;ID2.0,OD2.8,BST		3	IC501	1201-001541	IC-VIDEO AMP;6107,ZSIP9P,-,SINGLE,-,PLA	
2	EY852	AA60-40011A	K EYELET;ID2.0,OD2.8,BST		3	SCR501	6003-000334	SCREW-TAPTITE;RH,+2S,M3,L6,ZPC(YEL),SWR	
2	EY853	AA60-40011A	K EYELET;ID2.0,OD2.8,BST		3	H/S501	AA62-30175D	HEAT SINK-PS,-,SECC,T1.0,-,33X15X30 FT-2	
2	EY860	AA60-40011A	K EYELET;ID2.0,OD2.8,BST		△ 2	V999S	3704-001105	SOCKET-CRT;11P;20PI,26.5PI,NI,-	
2	EY861	AA60-40011A	K EYELET;ID2.0,OD2.8,BST		2	RM901	AA32-00015A	MODULE REMOCON;FRP-3521H31,38KHZ,940MM,M	
2	EL301	AA60-40011B	K EYELET;ID2.2,OD3.2,BSP		△ 2	IC801S	AA96-00845A	ASSY H/S,POWER,AA62-30186B,KA500765R	
2	EL302	AA60-40011B	K EYELET;ID2.2,OD3.2,BSP		△ 3	IC801	1203-001932	IC-PWM CONTROLLER;500765,TO-220F,5P,185M	
2	EL403	AA60-40011B	K EYELET;ID2.2,OD3.2,BSP		3	SCR801	6003-000333	SCREW-TAPTITE;RH,+2S,M3,L10,ZPC(YEL),SW	
2	EL404	AA60-40011B	K EYELET;ID2.2,OD3.2,BSP		3	H/S801	AA62-30186B	HEAT SINK-ES,-,-,SILVER,171J + COVER-H	
2	EL407	AA60-40011B	K EYELET;ID2.2,OD3.2,BSP		3	HA68-02189A	0205-000129	LABEL-WARNING;,33MM,18MM,WHITE	
2	EL408	AA60-40011B	K EYELET;ID2.2,OD3.2,BSP		3	0205-000129	GREASE-SILICON;SC102,JAPAN		
2	EL501	AA60-40011B	K EYELET;ID2.2,OD3.2,BSP		△ 2	IC802	AA96-00846A	ASSY H/S,POWER,AA62-00055A,KA7632	
2	EL502	AA60-40011B	K EYELET;ID2.2,OD3.2,BSP		△ 3	IC802	1203-001939	IC-POSI.FIXED REG.;7632,SIP,10P,-,PLASTI	
2	EL601	AA60-40011B	K EYELET;ID2.2,OD3.2,BSP		3	H/S802	AA62-00055A	HEAT SINK-PS,-,T1.0,-,35*15*25,D1,-,-	
2	EL602	AA60-40011B	K EYELET;ID2.2,OD3.2,BSP		3	SCR802	6003-000334	SCREW-TAPTITE;RH,+2S,M3,L6,ZPC(YEL),SWR	
2	EL603	AA60-40011B	K EYELET;ID2.2,OD3.2,BSP		2	IC902	1103-001106	IC-EEPROM;C81DC,1028x8Bit,DIP8P;300MIL,	
2	EL604	AA60-40011B	K EYELET;ID2.2,OD3.2,BSP		△ 2	SW801S	3403-001107	SWITCH-PUSH;250V,5A,DPST,-,KDC-A04	
2	EL801	AA60-40011B	K EYELET;ID2.2,OD3.2,BSP		2	Q401	0502-001160	TR-POWER;2SD2499,NPN,50000mW,TO-3PBK,8	
2	EL802	AA60-40011B	K EYELET;ID2.2,OD3.2,BSP		2	JS701	3722-000183	JACK-SCART;21P;4mm,SN,BLK,NO	
2	EL804	AA60-40011B	K EYELET;ID2.2,OD3.2,BSP		2	TOP	AA39-20010D	LEAD CONNECTOR-ASSY;,1PYFH800-01,S,400,	
2	GT101	AA60-40014A	PIN-GT,ASSY,AUTO		2	TOP	AA39-20010D	LEAD CONNECTOR-ASSY;,1PYFH800-01,S,400,	
2	GT502	AA60-40014A	PIN-GT,ASSY,AUTO		2	CN501	AA39-20620C	LEAD CONNECTOR-ASSY;9PYBNH250-09,S,500	
2	GT802	AA60-40014A	PIN-GT,ASSY,AUTO		2	IC301	AA96-00847A	ASSY H/S,AA62-00046A,LA7840	
2	GT803	AA60-40014A	PIN-GT,ASSY,AUTO		3	1204-001483	IC-VERTICAL PROCESSOR;LA7840,SIP;7P;708MI		
2	GT804	AA60-40014A	PIN-GT,ASSY,AUTO		3	AA62-00064A	HEAT SINK-PS;DP,-,-,AA62-00046A,-,-,		
2	GT805	AA60-40014A	PIN-GT,ASSY,AUTO		3	6003-000334	SCREW-TAPTITE;RH,+2S,M3,L6,ZPC(YEL),SWR		
2	GT806	AA60-40014A	PIN-GT,ASSY,AUTO		3	0205-000129	GREASE-SILICON;SC102,JAPAN		
2	GT501	AA60-40014A	PIN-GT,ASSY,AUTO		2	C801	2401-002219	C-AL;220uF,20%,400V,GP,ST;25x40,10	
2	GT807	AA60-40014A	PIN-GT,ASSY,AUTO		△ 2	CR402S	2306-000350	C-FILM,MPPF;270nF,5%,400V,TP,26X18.5X10M	
2	R505	2008-001011	R-FUSIBLE(S);0.18ohm,10%,2W,AF,TP,3.9x10		△ 2	T444S	AA26-00116A	TRANS FBT;FSV-14A004H(S),CT15A8.3.24MH,1	
2	L101	2701-000171	INDUCTOR-AXIAL;330nH,10%,2.5x3.4mm		2	SUB	AA98-00079A	ASSY SUB PART;KS1A,MAIN(OPT),PAL,-	
2	HIC01	AA13-20004W	IC HYBRID,-,PAP103T,SIP6P;PRE-AMP,TP		3	0202-000008	SOLDER-WIRE FLUX;-RS60S,D1.2.63Sn/37Pb,		
2	RW701	2011-001133	R-NETWORK;33K/24K/75x3.5%,1/8W,X,SIP6P,		3	0202-000187	SOLDER-WIRE FLUX;-RS60S,D1.2.63Sn/37Pb,		
2	R814	2008-001086	R-FUSIBLE(S);3.3ohm,5%,2W,AG,TP,3.9x12mm		3	0204-000442	SOLVENT;1M-1000,C3H7OH,96,-		
2	R815	2008-001086	R-FUSIBLE(S);3.3ohm,5%,2W,AG,TP,3.9x12mm		3	0204-001024	FLUX;DF-98TVS,-,20%,-		
2	R421	2008-001013	R-FUSIBLE(S);1.2ohm,5%,2W,AF,TP,3.9x10mm		△ 2	LR401S	AA27-30001B	COIL LINEARITY;-,195uH,QIC1010,PI0,4.4.5	
2	J101	2001-000613	R-CARBON;3.9KOHM,5%,1/8W,AA,TP,1.8X3.2M		△ 2	CR410S	2303-001015	C-FILM,PPF;5.5nF,5%,1.6kV,TP,29x9.5x17.2	
2	L807	2701-001030	INDUCTOR-AXIAL;43uH,10%,5x14mm		2	IC602	AA96-00848A	ASSY H/S,SOUND,AA62-30175D,TDA8943	
2	L804	2701-001030	INDUCTOR-AXIAL;43uH,10%,5x14mm		3	SCR602	6003-000334	SCREW-TAPTITE;RH,+2S,M3,L6,ZPC(YEL),SWR	
2	C615	2202-000253	C-CERAMIC,MLC-AXIAL;4.7nF,20%,16V,Y5R,TP		3	H/S602	AA62-30175D	HEAT SINK-PS,-,SECC,T1.0,-,33X15X30 FT-2	
2	C822	2401-000711	C-AL;2200uF,20%,25V,GP,TP,16x25,7.5		3	IC602	1201-001740	IC-AUDIO AMP;TDA8943,SIL,9P850MIL,SINGL	
△ 2	FP801S	3601-000281	FUSE-CARTRIDGE;250V,4A,TIME-LAG,GLASS,5.		2	CN703	3711-002648	CONNECTOR-HEADER;BOX,9P,1R,2.5mm,STRAIGH	
2	R302	2004-004969	R-METAL(S);1.1Kohm,1%,1/2W,AA,TP,2.4X6.4		2	CN603	3711-002643	CONNECTOR-HEADER;BOX,4P,1R,2.5mm,STRAIGH	
2	R808	2001-001138	R-CARBON(S);390OHM,5%,1/2W,AA,TP,2.4X6.4		2	LW01	AA27-40001M	COIL HORIZ. WIDTH;-,180/480uH,SB-5S6202.	
2	R831	2001-001088	R-CARBON(S);1KOHM,5%,1/2W,AA,TP,2.4X6.4M		△ 2	CY801S	2201-000446	C-CERAMIC,DISC;3.3nF,20%,400V,Y5U,TP,15x	
△ 2	D804	0401-000006	DIODE-SWITCHING;BAV21,250V,250mA,DO-35,T		△ 2	IC201S	AA09-00270A	IC MICOM;TDA9351/N2/3,SPM-802EW2,64P;3.3	
△ 2	D805	0402-001470	DIODE-RECTIFIER;RU2BV1,800V,1A,DO-204AC		△ 2	T801S	AA26-00134A	TRANS SWITCHING;CS21S5T;160V-260V,PM2 P	
2	R405	2001-001116	R-CARBON(S);270OHM,5%,1/2W,AA,TP,2.4X6.4M		2	CN401	AA60-40012D	PIN-GT,ASSY;T1.6,12.5,-,NYLON66	
2	C203	2401-002462	C-AL;33uF,20%,16V,GP,TP,5x11.5						
2	R306	2004-001390	R-METAL(S);1Kohm,2%,1/2W,AA,TP,2.4x6.4mm						

Level	Loc. No.	Code No.	Description ; Specification	Remark	Level	Loc. No.	Code No.	Description ; Specification	Remark
<b>ASSY CRT</b>					<b>ASSY-CABINET(COM)</b>				
△	1	AA94-05859A	ASSY CRT;A51EER31X,+400MG,21		1	AA90-01067D	ASSY-CABINET(COM);VL-1823,21H1		
2		AA03-00279A	CRT COLOR;A51EER33X,+380MG,2.07MH,21.0MH		2	CB+CF	6002-000515	SCREW-TAPPING;RH,+2,M4,L15,ZPC(WHT),SWR	
2		AA27-20003Z	COIL DEGAUSSING,-,21,13.5ohm,25T,L2380,E		2	PA+CF	6003-001024	SCREW-TAPTITE;RVWH,+B,M4,L12,ZPC(YEL),SW	
2		AA63-10002A	BAND-TIE;NYLON66 V2,L100,NTR		2	CRT+CF	AA60-10050Q	SCREW-ASSY,-,SWRCH18A,M5,L26.5,HH,+WC,-	
2		AA98-70030A	ASSY TBC WIRE(P);DP;21,AA98-70014C,1P;TV		2		HA64-02378B	CABINET-BACK;21H1,VL-1823,GRAY	
2		AA65-30107A	CLAMPER CORE-D.COIL;20-22 INCH,NYLON 66,		3		AA81-00096A	RESIN-A;VL-1823,G5433,A	
<b>ASSY ETC</b>					<b>REMOCON</b>				
1		HA95-01477A	ASSY ETC;KS1A,A/V FRONT		1	AA59-00104N	REMOCON,-,TM59,SIM806E,29,L/GRAY,TTX/MO		
2	CN702	AA39-20112E	LEAD CONNECTOR-ASSY;-9PYBNH025-09,67096		2		AA96-01126A	ASSY POWER CORD;DP;AA39-10001G,CP2,H/C25	
2		0202-000008	SOLDER-WIRE;S63S-W3.0,S63S,D3,63Sn/37Pb,		2		AA39-10001G	CBF POWER CORD;-;KKP-419C,KLCE-2F,2.286m	
2		0202-000187	SOLDER-WIRE FLUX;-;RS60S,D1.2,63Sn/37Pb		2		AA61-20284A	HOLDER;P-CORD,PP,-,-,BLK,VO,KE-002	
2		0204-001024	FLUX;DF-98TVS,-,20%,-		△	1	AA90-01114C	ASSY PACKING;21H1	
2		0204-000442	SOLVENT;1M-1000,C3H7OH,96,-		2		AA60-40006A	PIN-STAPLE;AUTO,33X17.8X2.4,H18,33X17.8X	
2	JE601	3722-000143	JACK-PHONE;1P(VER);3.4PI,AG,BLK,NO		2		HA69-20518B	CUSHION-SET;CT21H1,PS,C=0.02,-,-,-	
2	JA702	3722-000506	JACK-PIN;2P;3.6mm,-,AG		2		HA83-00058A	LP-RESIN-EPS;-;CHEIL SF-301V,WHT	
2	RE04	2701-000114	INDUCTOR-AXIAL;10uH,10%,2.5x3.4mm		2		HA69-00009B	PACKING-CASE;21H1,SEH,CB D-1,YEL,-,-,-,-	
2	RE01	2001-001153	R-CARBON(S);470HM,5%,1/2W,AA,TP2.4X6.4M		2		AA69-00744C	BAG-SHEET;-;HDPE PE FOAM,TO.015,W1050,H9	
2	RE02	2001-001153	R-CARBON(S);470HM,5%,1/2W,AA,TP2.4X6.4M		2		HA68-02178A	LABEL-BOX;250MM,89MM,WHITE	
2	CE07	2202-000222	C-CERAMIC,MLC-AXIAL;3.3nF,20%,16V,Y5P,TP		2		HA83-00046A	LP-TAPE INK;-;WIDTH 105 MM	
2	CE06	2202-000121	C-CERAMIC,MLC-AXIAL;100pF,10%,50V,Y5P,TP		1	AA94-05765A	ASSY ACCESSORY;20-21,KS1A,XEC		
2	CE01	2401-001840	C-AL;100uF,20%,16V,GPTP;6.3x11,5		2		HA68-02125A	LABEL;A/P120(G),70,69,ALLXEC,BLAC	
2	JE01	3812-000219	WIRE-NO SHEATH CU;TCWA,300V,52mm(TAPING)		2		4301-000120	BATTERY-MN;1.5V,-,AA,14.5x50mm,-	
2	JE02	3812-000219	WIRE-NO SHEATH CU;TCWA,300V,52mm(TAPING)		2		HA83-00047A	LP-TAPEACETATE;TO.1MM,W20MM,L200MM	
2	JE04	3812-000219	WIRE-NO SHEATH CU;TCWA,300V,52mm(TAPING)		2		HA69-00276A	BAG VINYL;HDPE,TO.025,L400,W240,-,W/O LO	
2	RE05	3812-000219	WIRE-NO SHEATH CU;TCWA,300V,52mm(TAPING)		2		HA68-00336B	CARD-WARRANTY;A/P100(G),A5,NEW VERSION,I	
2	JE03	3812-000219	WIRE-NO SHEATH CU;TCWA,300V,52mm(TAPING)		<b>ASSY PACKING</b>				
2	PCB	AA41-10903B	PCB-A/V FRONT;S15A,1L,FR-1,245x245x1.6T,		1	AA90-01114C	ASSY PACKING;21H1		
2		0203-001123	TAPE-PAPER;#53131,TO.15,W6.0,L200000,YEL		2		AA60-40006A	PIN-STAPLE;AUTO,33X17.8X2.4,H18,33X17.8X	
2	LE01	2701-000158	INDUCTOR-AXIAL;22uH,10%,2.5x3.4mm		2		HA69-20518B	CUSHION-SET;CT21H1,PS,C=0.02,-,-,-	
<b>ASSY CABINET FRONT</b>					<b>ASSY ACCESSORY</b>				
1		HA91-20008A	ASSY CABINET FRONT;21H1,SILVER		1	AA94-05765A	ASSY ACCESSORY;20-21,KS1A,XEC		
2	KC+CF	6002-000515	SCREW-TAPPING;RH,+2,M4,L15,ZPC(WHT),SWR		2		HA68-02125A	LABEL;A/P120(G),70,69,ALLXEC,BLAC	
2	SPK+CF	6002-000515	SCREW-TAPPING;RH,+2,M4,L15,ZPC(WHT),SWR		2		4301-000120	BATTERY-MN;1.5V,-,AA,14.5x50mm,-	
2		AA61-60003T	SPRING ETC-CS;-;SUS304,-,-,OD7,N5,OD7,-,		2		HA83-00047A	LP-TAPEACETATE;TO.1MM,W20MM,L200MM	
2		AA64-70010B	BADGE-BRAND;-;AL,-,-,L50,-,SILVER,SS R20		2		HA69-00276A	BAG VINYL;HDPE,TO.025,L400,W240,-,W/O LO	
2		AA65-30105A	CLAMPER CORE-WIRE;ALL MODEL,NYLON 66,V2,		2		HA68-00336B	CARD-WARRANTY;A/P100(G),A5,NEW VERSION,I	
2		AA64-02490B	KNOB POWER;20H1,HIPS,HB,SV-012P-II,GRY		2				
3		AA81-00106A	A/S-MARKING PAINT;-;P432U,DARK GREY,TPC		1	AA94-05765A	ASSY ACCESSORY;20-21,KS1A,XEC		
3		HA83-00040A	LP-MARKING PAINT;-;METALLIC SILVER,SV-012		2		HA68-02125A	LABEL;A/P120(G),70,69,ALLXEC,BLAC	
3		HA83-00006A	LP-RESIN HIPS;-;BASF495F,NTR,HB		2		4301-000120	BATTERY-MN;1.5V,-,AA,14.5x50mm,-	
3		HA83-00011A	LP-RESIN;-;M BATCH,WILSON 6007-GY-60,GRY		2		HA83-00047A	LP-TAPEACETATE;TO.1MM,W20MM,L200MM	
2		AA64-40527A	WINDOW-REMOCON;-;21H1,-,PC,-,-,-		2		HA69-00276A	BAG VINYL;HDPE,TO.025,L400,W240,-,W/O LO	
2		AA64-40496A	INDICATOR-LED;-;ACRYL,-,-,-,-,-		2		HA68-00336B	CARD-WARRANTY;A/P100(G),A5,NEW VERSION,I	
2		AA96-00852A	ASSY SPEAKER;160HM,3W,3001-001039,700/3		2				
3		3001-001039	SPEAKER;3W,160HM,90DB,180HZ		2				
3		AA39-20505M	LEAD CONNECTOR-ASSY;-;4PYSH025-04,REC,35		<b>ASSY ACCESSORY</b>				
2		AA64-02441B	KNOB CONTROL;20H1,HIPS,HB,SV-012P-II,GRY		1	AA94-05765A	ASSY ACCESSORY;20-21,KS1A,XEC		
3		HA83-00040A	LP-MARKING PAINT;-;METALLIC SILVER,SV-012		2		HA68-02125A	LABEL;A/P120(G),70,69,ALLXEC,BLAC	
3		HA83-00006A	LP-RESIN HIPS;-;BASF495F,NTR,HB		2		4301-000120	BATTERY-MN;1.5V,-,AA,14.5x50mm,-	
3		HA83-00011A	LP-RESIN;-;M BATCH,WILSON 6007-GY-60,GRY		2		HA83-00047A	LP-TAPEACETATE;TO.1MM,W20MM,L200MM	
2		AA64-02381B	CABINET-FRONT;21H1,HIPS,HB,SV-012P-II,GR		2		HA69-00276A	BAG VINYL;HDPE,TO.025,L400,W240,-,W/O LO	
3		HA83-00040A	LP-MARKING PAINT;-;METALLIC SILVER,SV-012		2		HA68-00336B	CARD-WARRANTY;A/P100(G),A5,NEW VERSION,I	
3		AA81-00106A	A/S-MARKING PAINT;-;P432U,DARK GREY,TPC		<b>ASSY ACCESSORY</b>				
3		HA83-00006A	LP-RESIN HIPS;-;BASF495F,NTR,HB		1	AA94-05765A	ASSY ACCESSORY;20-21,KS1A,XEC		
3		HA83-00011A	LP-RESIN;-;M BATCH,WILSON 6007-GY-60,GRY		2		HA68-02125A	LABEL;A/P120(G),70,69,ALLXEC,BLAC	
2		AA64-02381B	CABINET-FRONT;21H1,HIPS,HB,SV-012P-II,GR		2		4301-000120	BATTERY-MN;1.5V,-,AA,14.5x50mm,-	
3		HA83-00040A	LP-MARKING PAINT;-;METALLIC SILVER,SV-012		2		HA83-00047A	LP-TAPEACETATE;TO.1MM,W20MM,L200MM	
3		AA81-00106A	A/S-MARKING PAINT;-;P432U,DARK GREY,TPC		2		HA69-00276A	BAG VINYL;HDPE,TO.025,L400,W240,-,W/O LO	
3		HA83-00006A	LP-RESIN HIPS;-;BASF495F,NTR,HB		2		HA68-00336B	CARD-WARRANTY;A/P100(G),A5,NEW VERSION,I	
3		HA83-00011A	LP-RESIN;-;M BATCH,WILSON 6007-GY-60,GRY		<b>ASSY ACCESSORY</b>				
2		AA64-02381B	CABINET-FRONT;21H1,HIPS,HB,SV-012P-II,GR		1	AA94-05765A	ASSY ACCESSORY;20-21,KS1A,XEC		
3		HA83-00040A	LP-MARKING PAINT;-;METALLIC SILVER,SV-012		2		HA68-02125A	LABEL;A/P120(G),70,69,ALLXEC,BLAC	
3		AA81-00106A	A/S-MARKING PAINT;-;P432U,DARK GREY,TPC		2		4301-000120	BATTERY-MN;1.5V,-,AA,14.5x50mm,-	
3		HA83-00006A	LP-RESIN HIPS;-;BASF495F,NTR,HB		2		HA83-00047A	LP-TAPEACETATE;TO.1MM,W20MM,L200MM	
3		HA83-00011A	LP-RESIN;-;M BATCH,WILSON 6007-GY-60,GRY		2		HA69-00276A	BAG VINYL;HDPE,TO.025,L400,W240,-,W/O LO	
2		AA64-02381B	CABINET-FRONT;21H1,HIPS,HB,SV-012P-II,GR		2		HA68-00336B	CARD-WARRANTY;A/P100(G),A5,NEW VERSION,I	



## 7-6 CF21F32ZSXXEF

Level	Loc. No.	Code No.	Description ; Specification	Remark	Level	Loc. No.	Code No.	Description ; Specification	Remark
<b>ASSY PCB MAIN</b>									
1		AA94-12441A	ASSY PCB MAIN;CF21F32ZSXXEF;21F3, XEF		2	R301	2001-000016	R-CARBON(S);10HM,5%,1/2W,AA,TP2.4X6.4MM	
2		HA68-02176A	LABEL;LABEL		2	J125	2001-000016	R-CARBON(S);10HM,5%,1/2W,AA,TP2.4X6.4MM	
2	D201	0401-000005	DIODE-SWITCHING;1N4148,100V,200mA,DO-35,		2	R843	2001-000019	R-CARBON(S);100HM,5%,1/2W,AA,TP2.4X6.4M	
△	D811	0401-000005	DIODE-SWITCHING;1N4148,100V,200mA,DO-35,		2	R618	2001-000019	R-CARBON(S);100HM,5%,1/2W,AA,TP2.4X6.4M	
2	D102	0401-000005	DIODE-SWITCHING;1N4148,100V,200mA,DO-35,		2	R409	2001-000022	R-CARBON(S);330OHM,5%,1/2W,AA,TP2.4X6.4M	
△	D801S	0402-001111	DIODE-RECTIFIER;1N5397GP600V,1.5A,DO-20		2	R823	2001-000037	R-CARBON(S);330OHM,5%,1/2W,AA,TP2.4X6.4	
△	D802S	0402-001111	DIODE-RECTIFIER;1N5397GP600V,1.5A,DO-20		2	R902	2001-000241	R-CARBON;1.5KOHM,5%,1/8W,AA,TP1.8X3.2MM	
△	D803S	0402-001111	DIODE-RECTIFIER;1N5397GP600V,1.5A,DO-20		2	R904	2001-000241	R-CARBON;1.5KOHM,5%,1/8W,AA,TP1.8X3.2M	
△	D804S	0402-001111	DIODE-RECTIFIER;1N5397GP600V,1.5A,DO-20		2	R211	2001-000281	R-CARBON;100OHM,5%,1/8W,AA,TP1.8X3.2MM	
2	D501	0402-000254	DIODE-RECTIFIER;RGP10J,600V,1A,DO-41,TP		2	R215	2001-000281	R-CARBON;100OHM,5%,1/8W,AA,TP1.8X3.2MM	
△	D803	0402-000254	DIODE-RECTIFIER;RGP10J,600V,1A,DO-41,TP		2	R223	2001-000281	R-CARBON;100OHM,5%,1/8W,AA,TP1.8X3.2MM	
2	D301	0402-001105	DIODE-RECTIFIER;ERB43-04SV1,400V,1.0A,-		2	R501	2001-000281	R-CARBON;100OHM,5%,1/8W,AA,TP1.8X3.2MM	
2	D304	0402-001105	DIODE-RECTIFIER;ERB43-04SV1,400V,1.0A,-		2	R502	2001-000281	R-CARBON;100OHM,5%,1/8W,AA,TP1.8X3.2MM	
△	D401	0402-001105	DIODE-RECTIFIER;ERB43-04SV1,400V,1.0A,-		2	R506	2001-000281	R-CARBON;100OHM,5%,1/8W,AA,TP1.8X3.2MM	
2	D502	0402-001105	DIODE-RECTIFIER;ERB43-04SV1,400V,1.0A,-		2	R510	2001-000281	R-CARBON;100OHM,5%,1/8W,AA,TP1.8X3.2MM	
2	D503	0402-001105	DIODE-RECTIFIER;ERB43-04SV1,400V,1.0A,-		2	R511	2001-000281	R-CARBON;100OHM,5%,1/8W,AA,TP1.8X3.2MM	
2	D504	0402-001105	DIODE-RECTIFIER;ERB43-04SV1,400V,1.0A,-		2	R512	2001-000281	R-CARBON;100OHM,5%,1/8W,AA,TP1.8X3.2MM	
△	D812	0402-001105	DIODE-RECTIFIER;ERB43-04SV1,400V,1.0A,-		2	R909	2001-000281	R-CARBON;100OHM,5%,1/8W,AA,TP1.8X3.2MM	
2	D302	0402-001352	DIODE-RECTIFIER;GUF15G-20A,400V,1.5A,DO-		2	R911	2001-000281	R-CARBON;100OHM,5%,1/8W,AA,TP1.8X3.2MM	
2	DZ402	0403-000508	DIODE-ZENER;MTZJ5.6B,5.6V,5.45-5.73V,500		2	R912	2001-000281	R-CARBON;100OHM,5%,1/8W,AA,TP1.8X3.2MM	
2	DZ807	0403-000508	DIODE-ZENER;MTZJ5.6B,5.6V,5.45-5.73V,500		2	R913	2001-000281	R-CARBON;100OHM,5%,1/8W,AA,TP1.8X3.2MM	
2	DZ810	0403-000508	DIODE-ZENER;MTZJ5.6B,5.6V,5.45-5.73V,500		2	R914	2001-000281	R-CARBON;100OHM,5%,1/8W,AA,TP1.8X3.2MM	
2	DZ903	0403-000508	DIODE-ZENER;MTZJ5.6B,5.6V,5.45-5.73V,500		2	J137	2001-000281	R-CARBON;100OHM,5%,1/8W,AA,TP1.8X3.2MM	
2	DZ904	0403-000508	DIODE-ZENER;MTZJ5.6B,5.6V,5.45-5.73V,500		2	R213	2001-000281	R-CARBON;100OHM,5%,1/8W,AA,TP1.8X3.2MM	
2	DZ905	0403-000508	DIODE-ZENER;MTZJ5.6B,5.6V,5.45-5.73V,500		2	R718	2001-000281	R-CARBON;100OHM,5%,1/8W,AA,TP1.8X3.2MM	
2	DZ901	0403-000508	DIODE-ZENER;MTZJ5.6B,5.6V,5.45-5.73V,500		2	R933	2001-000281	R-CARBON;100OHM,5%,1/8W,AA,TP1.8X3.2MM	
2	DZ101	0403-000700	DIODE-ZENER;TZP33A,33V,31-35V,1W,DO-41,T		2	R934	2001-000281	R-CARBON;100OHM,5%,1/8W,AA,TP1.8X3.2MM	
2	DZ303	0403-000700	DIODE-ZENER;TZP33A,33V,31-35V,1W,DO-41,T		2	R224	2001-000290	R-CARBON;10KOHM,5%,1/8W,AA,TP1.8X3.2MM	
2	DZ803	0403-000700	DIODE-ZENER;TZP33A,33V,31-35V,1W,DO-41,T		2	R828	2001-000290	R-CARBON;10KOHM,5%,1/8W,AA,TP1.8X3.2MM	
2	DZ201	0403-000720	DIODE-ZENER;MTZJ9.1B,9.1V,8.57-9.01V,500		2	R910	2001-000290	R-CARBON;10KOHM,5%,1/8W,AA,TP1.8X3.2MM	
2	DZ204	0403-000720	DIODE-ZENER;MTZJ9.1B,9.1V,8.57-9.01V,500		2	R920	2001-000290	R-CARBON;10KOHM,5%,1/8W,AA,TP1.8X3.2MM	
2	DZ205	0403-000720	DIODE-ZENER;MTZJ9.1B,9.1V,8.57-9.01V,500		2	R922	2001-000290	R-CARBON;10KOHM,5%,1/8W,AA,TP1.8X3.2MM	
2	DZ207	0403-000720	DIODE-ZENER;MTZJ9.1B,9.1V,8.57-9.01V,500		2	R921	2001-000290	R-CARBON;10KOHM,5%,1/8W,AA,TP1.8X3.2MM	
2	DZ501	0403-000720	DIODE-ZENER;MTZJ9.1B,9.1V,8.57-9.01V,500		2	R919	2001-000290	R-CARBON;10KOHM,5%,1/8W,AA,TP1.8X3.2MM	
2	DZ502	0403-000720	DIODE-ZENER;MTZJ9.1B,9.1V,8.57-9.01V,500		2	R709	2001-000290	R-CARBON;10KOHM,5%,1/8W,AA,TP1.8X3.2MM	
2	DZ503	0403-000720	DIODE-ZENER;MTZJ9.1B,9.1V,8.57-9.01V,500		2	R230	2001-000290	R-CARBON;10KOHM,5%,1/8W,AA,TP1.8X3.2MM	
2	DZ504	0403-000720	DIODE-ZENER;MTZJ9.1B,9.1V,8.57-9.01V,500		2	R225	2001-001035	R-CARBON;910HM,5%,1/8W,AA,TP1.8X3.2MM	
2	DZ704	0403-000720	DIODE-ZENER;MTZJ9.1B,9.1V,8.57-9.01V,500		2	R918	2001-000429	R-CARBON;1KOHM,5%,1/8W,AA,TP1.8X3.2MM	
2	DZ808	0403-000720	DIODE-ZENER;MTZJ9.1B,9.1V,8.57-9.01V,500		2	R926	2001-000429	R-CARBON;1KOHM,5%,1/8W,AA,TP1.8X3.2MM	
2	DZ306	0403-000720	DIODE-ZENER;MTZJ9.1B,9.1V,8.57-9.01V,500		2	R210	2001-000429	R-CARBON;1KOHM,5%,1/8W,AA,TP1.8X3.2MM	
2	DZ307	0403-000720	DIODE-ZENER;MTZJ9.1B,9.1V,8.57-9.01V,500		2	R723	2001-000429	R-CARBON;1KOHM,5%,1/8W,AA,TP1.8X3.2MM	
2	DZ701	0403-000720	DIODE-ZENER;MTZJ9.1B,9.1V,8.57-9.01V,500		2	R721	2001-000429	R-CARBON;1KOHM,5%,1/8W,AA,TP1.8X3.2MM	
2	DZ702	0403-000720	DIODE-ZENER;MTZJ9.1B,9.1V,8.57-9.01V,500		2	R916	2001-000449	R-CARBON;2.7KOHM,5%,1/8W,AA,TP1.8X3.2M	
2	DZ703	0403-000720	DIODE-ZENER;MTZJ9.1B,9.1V,8.57-9.01V,500		2	R917	2001-000449	R-CARBON;2.7KOHM,5%,1/8W,AA,TP1.8X3.2M	
2	DZ801	0403-001140	DIODE-ZENER;RD10ESAB-T4,10V,9.19-10.30V,		2	R220	2001-000472	R-CARBON;2.7KOHM,5%,1/8W,AA,TP1.8X3.2M	
2	DZ302	0403-001121	DIODE-ZENER;UZ39BSB,35.36-37.19V,500mW,D		2	R901	2001-000472	R-CARBON;2.7KOHM,5%,1/8W,AA,TP1.8X3.2M	
2	DZ806	0403-001317	DIODE-ZENER;MTZJ3.0B,3.01-3.22V,500mW,DO		2	R903	2001-000472	R-CARBON;2.7KOHM,5%,1/8W,AA,TP1.8X3.2M	
2	DZ802	0403-001318	DIODE-ZENER;MTZJ4.3B,4.17-4.43V,500mW,DO		2	R907	2001-000472	R-CARBON;2.7KOHM,5%,1/8W,AA,TP1.8X3.2M	
2	DZ203	0403-001322	DIODE-ZENER;MTZJ8.2B,7.78-8.19V,500mW,DO		2	R908	2001-000472	R-CARBON;2.7KOHM,5%,1/8W,AA,TP1.8X3.2M	
2	DZ805	0403-001327	DIODE-ZENER;MTZJ18A,16.22-17.06V,500mW,D		2	R214	2001-000490	R-CARBON;200OHM,5%,1/8W,AA,TP1.8X3.2MM	
2	DZ301	0403-001328	DIODE-ZENER;MTZJ22A,20.15-21.20V,500mW,D		2	R206	2001-000563	R-CARBON;27KOHM,5%,1/8W,AA,TP1.8X3.2MM	
2	DZ305	0403-001328	DIODE-ZENER;MTZJ22A,20.15-21.20V,500mW,D		2	R829	2001-000563	R-CARBON;27KOHM,5%,1/8W,AA,TP1.8X3.2MM	
2	Q201	0501-000283	TR-SMALL SIGNAL;KSA539,PNP,400mW,TO-92,T		2	R929	2001-000563	R-CARBON;27KOHM,5%,1/8W,AA,TP1.8X3.2MM	
2	Q901	0501-000283	TR-SMALL SIGNAL;KSA539,PNP,400mW,TO-92,T		2	R208	2001-000591	R-CARBON;3.3KOHM,5%,1/8W,AA,TP1.8X3.2MM	
2	Q402	0501-000369	TR-SMALL SIGNAL;KSC2331-Y,NPN,1000mW,TO-		2	R108	2001-000591	R-CARBON;3.3KOHM,5%,1/8W,AA,TP1.8X3.2M	
2	Q202	0501-000389	TR-SMALL SIGNAL;KSC815,NPN,400mW,TO-92,T		2	R202	2001-000689	R-CARBON;390KOHM,5%,1/8W,AA,TP1.8X3.2M	
2	Q205	0501-000389	TR-SMALL SIGNAL;KSC815,NPN,400mW,TO-92,T		2	R925	2001-000734	R-CARBON;4.7KOHM,5%,1/8W,AA,TP1.8X3.2M	
2	Q701	0501-000389	TR-SMALL SIGNAL;KSC815,NPN,400mW,TO-92,T		2	R841	2001-000734	R-CARBON;4.7KOHM,5%,1/8W,AA,TP1.8X3.2M	
2	Q903	0501-000389	TR-SMALL SIGNAL;KSC815,NPN,400mW,TO-92,T		2	R601	2001-000734	R-CARBON;4.7KOHM,5%,1/8W,AA,TP1.8X3.2M	
2	Q905	0501-000389	TR-SMALL SIGNAL;KSC815,NPN,400mW,TO-92,T		2	R227	2001-000739	R-CARBON;4.7MOHM,5%,1/8W,AA,TP1.8X3.2M	
2	Q704	0501-000389	TR-SMALL SIGNAL;KSC815,NPN,400mW,TO-92,T		2	R228	2001-000739	R-CARBON;4.7MOHM,5%,1/8W,AA,TP1.8X3.2M	
△	VX801S	1405-000187	VARISTOR;750V,1250A,12.5x7mm,TP		2	R109	2001-000786	R-CARBON;47KOHM,5%,1/8W,AA,TP1.8X3.2MM	
2	R207	2001-000005	R-CARBON;390ohm,5%,1/8W,AA,TP1.8X3.2mm		2	R724	2001-000786	R-CARBON;47KOHM,5%,1/8W,AA,TP1.8X3.2MM	
2	R905	2001-000005	R-CARBON;390ohm,5%,1/8W,AA,TP1.8X3.2mm		2	R725	2001-000786	R-CARBON;47KOHM,5%,1/8W,AA,TP1.8X3.2MM	
2	R906	2001-000005	R-CARBON;390ohm,5%,1/8W,AA,TP1.8X3.2mm		2	R726	2001-000786	R-CARBON;47KOHM,5%,1/8W,AA,TP1.8X3.2MM	
2	R218	2001-000008	R-CARBON;15KOHM,5%,1/8W,AA,TP1.8X3.2MM		2	R727	2001-000786	R-CARBON;47KOHM,5%,1/8W,AA,TP1.8X3.2MM	
2	R602	2001-000008	R-CARBON;15KOHM,5%,1/8W,AA,TP1.8X3.2MM		2	R209	2001-000793	R-CARBON;470HM,5%,1/8W,AA,TP1.8X3.2MM	
2	R205	2001-000011	R-CARBON;75KOHM,5%,1/8W,AA,TP1.8X3.2MM		2	R927	2001-000793	R-CARBON;470HM,5%,1/8W,AA,TP1.8X3.2MM	
					2	R203	2001-000857	R-CARBON;560OHM,5%,1/8W,AA,TP1.8X3.2MM	
					2	R204	2001-000857	R-CARBON;560OHM,5%,1/8W,AA,TP1.8X3.2MM	
					2	R713	2001-000857	R-CARBON;560OHM,5%,1/8W,AA,TP1.8X3.2MM	
					2	R715	2001-000857	R-CARBON;560OHM,5%,1/8W,AA,TP1.8X3.2MM	

Level	Loc. No.	Code No.	Description ; Specification	Remark	Level	Loc. No.	Code No.	Description ; Specification	Remark
2	R110	2001-000924	R-CARBON;680OHM,5%,1/8W,AA,TP,1.8X3.2MM		2	C611	2305-000289	C-FILM,MPEF;220nF,5%,63V,TP,-,5mm	
2	R915	2001-000924	R-CARBON;680OHM,5%,1/8W,AA,TP,1.8X3.2MM		2	C613	2305-000289	C-FILM,MPEF;220nF,5%,63V,TP,-,5mm	
2	R722	2001-000924	R-CARBON;680OHM,5%,1/8W,AA,TP,1.8X3.2MM		△	CR405S	2305-000382	C-FILM,MPEF;4.7nF,5%,400V,TP,-,5mm	
2	R222	2001-000947	R-CARBON;7.5KOHM,5%,1/8W,AA,TP,1.8X3.2M		2	C103	2305-000665	C-FILM,MPEF;100nF,5%,63V,TP,7.5x4.0x5.0m	
2	R702	2001-000969	R-CARBON;750HM,5%,1/8W,AA,TP,1.8X3.2MM		2	C208	2305-000665	C-FILM,MPEF;100nF,5%,63V,TP,7.5x4.0x5.0m	
2	R719	2001-000969	R-CARBON;750HM,5%,1/8W,AA,TP,1.8X3.2MM		2	C210	2305-000665	C-FILM,MPEF;100nF,5%,63V,TP,7.5x4.0x5.0m	
2	R720	2001-000969	R-CARBON;750HM,5%,1/8W,AA,TP,1.8X3.2MM		2	C230	2305-000665	C-FILM,MPEF;100nF,5%,63V,TP,7.5x4.0x5.0m	
2	R408	2001-001037	R-CARBON(S);0.390HM,5%,1/2W,AA,TP,2.4X6.4		2	C803	2305-000665	C-FILM,MPEF;100nF,5%,63V,TP,7.5x4.0x5.0m	
2	R504	2001-001062	R-CARBON(S);10MOHM,5%,1/2W,AA,TP,2.4X6.4		2	C819	2305-000665	C-FILM,MPEF;100nF,5%,63V,TP,7.5x4.0x5.0m	
2	R414	2001-001078	R-CARBON(S);15KOHM,5%,1/2W,AA,TP,2.4X6.4		2	C913	2305-000665	C-FILM,MPEF;100nF,5%,63V,TP,7.5x4.0x5.0m	
2	R806	2001-001108	R-CARBON(S);22KOHM,5%,1/2W,AA,TP,2.4X6.4		2	C218	2305-000665	C-FILM,MPEF;100nF,5%,63V,TP,7.5x4.0x5.0m	
2	R411	2001-001114	R-CARBON(S);270OHM,5%,1/2W,AA,TP,2.4X6.4		2	C204	2305-000665	C-FILM,MPEF;100nF,5%,63V,TP,7.5x4.0x5.0m	
2	R405	2001-001116	R-CARBON(S);270HM,5%,1/2W,AA,TP,2.4X6.4M		2	C205	2305-000665	C-FILM,MPEF;100nF,5%,63V,TP,7.5x4.0x5.0m	
2	R809	2001-001150	R-CARBON(S);470KOHM,5%,1/2W,AA,TP,2.4X6.4		2	C231	2305-000665	C-FILM,MPEF;100nF,5%,63V,TP,7.5x4.0x5.0m	
2	R810	2001-001150	R-CARBON(S);470KOHM,5%,1/2W,AA,TP,2.4X6.4		2	C618	2305-000665	C-FILM,MPEF;100nF,5%,63V,TP,7.5x4.0x5.0m	
2	R501H	2002-001008	R-COMPOSITION;1.8Kohm,10%,1/2W,AA,TP,3.7		2	C225	2309-000138	C-FILM,PE-PFF;100nF,5%,50V,TP,20x16x8.5,	
2	R502H	2002-001008	R-COMPOSITION;1.8Kohm,10%,1/2W,AA,TP,3.7		2	C812	2401-000262	C-AL;100uF,20%,160V,HR,TP,16x25,7.5	
2	R503	2002-001008	R-COMPOSITION;1.8Kohm,10%,1/2W,AA,TP,3.7		2	C817	2401-000302	C-AL;100uF,20%,25V,GPTP,6.3x11,5	
△	RX801S	2002-001011	R-COMPOSITION;3.3Mohm,5%,1/2W,AA,TP,3.7x		2	C823	2401-000302	C-AL;100uF,20%,25V,GPTP,6.3x11,5	
△	RY801S	2002-001012	R-COMPOSITION;8.2Mohm,5%,1/2W,AA,TP,3.7x		2	C915	2401-000302	C-AL;100uF,20%,50V,GPTP,6.3x11,5	
2	R827	2003-000652	R-METAL OXIDE(S);330ohm,5%,2W,AF,TP,4x12		2	C307	2401-000360	C-AL;100uF,20%,50V,GPTP,8x11,5,5	
2	R315	2003-000652	R-METAL OXIDE(S);330ohm,5%,2W,AF,TP,4x12		2	C308	2401-000360	C-AL;100uF,20%,50V,GPTP,8x11,5,5	
2	R316	2003-000652	R-METAL OXIDE(S);330ohm,5%,2W,AF,TP,4x12		2	C506	2401-000430	C-AL;10uF,20%,250V,GPTP,10x16mm,5m	
2	R403	2003-000784	R-METAL OXIDE(S);7.5Kohm,5%,2W,AF,TP,4x1		2	C820	2401-000480	C-AL;10uF,20%,50V,GPTP,5x11,5	
2	R834	2003-001040	R-METAL OXIDE(S);47Kohm,5%,2W,AF,TP,3.9x		2	C612	2401-000480	C-AL;10uF,20%,50V,GPTP,5x11,5	
2	R801	2003-002171	R-METAL OXIDE(S);150ohm,5%,2W,AG,TP,3.9x		2	C604	2401-000480	C-AL;10uF,20%,50V,GPTP,5x11,5	
2	R402	2003-002178	R-METAL OXIDE(S);1Kohm,5%,2W,AG,TP,3.9x1		2	C219	2401-000603	C-AL;1uF,20%,50V,GPTP,5x11,5	
2	R407	2003-002209	R-METAL OXIDE(S);47Kohm,5%,2W,AG,TP,3.9X		2	C212	2401-000660	C-AL;2.2uF,20%,50V,GPTP,5x11,5	
2	R219	2004-001914	R-METAL;39Kohm,2%,1/8W,AA,TP,1.8x3.5mm		2	C221	2401-000660	C-AL;2.2uF,20%,50V,GPTP,5x11,5	
2	R817	2004-004089	R-METAL(S);123Kohm,1%,1/2W,AA,TP,2.5x6.5		2	C605	2401-000660	C-AL;2.2uF,20%,50V,GPTP,5x11,5	
2	R304	2008-000253	R-FUSIBLE(S);0.47ohm,5%,1W,AF,TP,3.9x10m		2	C222	2401-000758	C-AL;220nF,20%,50V,GPTP,5x11,5	
2	R305	2008-000253	R-FUSIBLE(S);0.47ohm,5%,1W,AF,TP,3.9x10m		2	C827	2401-000927	C-AL;22uF,20%,250V,GPTP,13x20,5	
2	R825	2008-000266	R-FUSIBLE(S);1ohm,5%,2W,AF,TP,3.9x10mm		2	C101	2401-001101	C-AL;330uF,20%,16V,GPTP,8x11,5,5	
2	R824	2008-000294	R-FUSIBLE(S);33ohm,5%,2W,AF,TP,3.9x10mm		2	C802	2401-001192	C-AL;33uF,20%,50V,GPTP,6.3x11,5	
2	R420	2008-001110	R-FUSIBLE(S);68ohm,5%,2W,AG,TP,3.9x12mm		2	C504	2401-001232	C-AL;4.7uF,20%,250V,GPTP,10x12,5,5	
2	R814	2008-001112	R-FUSIBLE(S);2.4ohm,5%,2W,AG,TP,3.9x12mm		2	C209	2401-001840	C-AL;100uF,20%,16V,GPTP,6.3x11,5	
2	R815	2008-001112	R-FUSIBLE(S);2.4ohm,5%,2W,AG,TP,3.9x12mm		2	C213	2401-001840	C-AL;100uF,20%,16V,GPTP,6.3x11,5	
2	C904	2201-000180	C-CERAMIC,DISC;10nF,10%,50V,Y5V,TP,7x3,5		2	C229	2401-001840	C-AL;100uF,20%,16V,GPTP,6.3x11,5	
2	C501	2201-000192	C-CERAMIC,DISC;0.01nF,0.25pF,500V,NPO,TP		2	C903	2401-001840	C-AL;100uF,20%,16V,GPTP,6.3x11,5	
2	C302	2201-000259	C-CERAMIC,DISC;0.18nF,10%,500V,Y5P,TP,5		2	C910	2401-001840	C-AL;100uF,20%,16V,GPTP,6.3x11,5	
2	C303	2201-000556	C-CERAMIC,DISC;0.47nF,10%,500V,Y5P,TP,5		2	C110	2401-001840	C-AL;100uF,20%,16V,GPTP,6.3x11,5	
2	C305	2201-000556	C-CERAMIC,DISC;0.47nF,10%,500V,Y5P,TP,5		2	C705	2401-001989	C-AL;4.7uF,20%,50V,BP,TP,5x11,5	
2	C908	2201-000573	C-CERAMIC,DISC;0.047nF,5%,50V,NPO,TP,5x3		2	C706	2401-001989	C-AL;4.7uF,20%,50V,BP,TP,5x11,5	
2	C909	2201-000573	C-CERAMIC,DISC;0.047nF,5%,50V,NPO,TP,5x3		2	C710	2401-001989	C-AL;4.7uF,20%,50V,BP,TP,5x11,5	
2	C408	2201-000599	C-CERAMIC,DISC;0.56nF,10%,500V,Y5P,TP,5		2	C711	2401-001989	C-AL;4.7uF,20%,50V,BP,TP,5x11,5	
△	CR404S	2201-000639	C-CERAMIC,DISC;0.68nF,10%,2kV,Y5P,TP,9x5		2	C601	2401-001998	C-AL;1000uF,20%,25V,GPTP,10x20,5mm	
2	C811	2201-000991	C-CERAMIC,DISC;0.56nF,10%,2kV,Y5P,TP,7.5		2	C206	2401-002235	C-AL;10uF,20%,16V,GPTP,5x11mm,5mm	
2	C814	2201-000991	C-CERAMIC,DISC;0.56nF,10%,2kV,Y5P,TP,7.5		2	C220	2401-002235	C-AL;10uF,20%,16V,GPTP,5x11mm,5mm	
△	CR409S	2201-000991	C-CERAMIC,DISC;0.56nF,10%,2kV,Y5P,TP,7.5		2	C709	2401-002235	C-AL;10uF,20%,16V,GPTP,5x11mm,5mm	
2	C503	2201-000723	C-CERAMIC,DISC;4.7nF,20%,3KV,Y5U,TP,16x5		2	C304	2401-002288	C-AL;470uF,20%,25V,W,TP,10x20,5	
2	C703	2202-000121	C-CERAMIC,MLC-AXIAL;100pF,10%,50V,Y5P,TP		2	C306	2401-002288	C-AL;470uF,20%,25V,W,TP,10x20,5	
2	C704	2202-000121	C-CERAMIC,MLC-AXIAL;100pF,10%,50V,Y5P,TP		2	C813	2401-002290	C-AL;47uF,20%,160V,GPTP,13x20,5	
2	C106	2202-000127	C-CERAMIC,MLC-AXIAL;10nF,+80-20%,25V,Y5V		2	C406	2401-002619	C-AL;47uF,20%,25V,GPTP,5x11,5	
2	C111	2202-000127	C-CERAMIC,MLC-AXIAL;10nF,+80-20%,25V,Y5V		2	C214	2401-003102	C-AL;100uF,20%,16V,GPTP,5x11,5	
2	C105	2202-000127	C-CERAMIC,MLC-AXIAL;10nF,+80-20%,25V,Y5V		2	L103	2701-000114	INDUCTOR-AXIAL;10uH,10%,2.5x3.4mm	
2	C223	2202-000796	C-CERAMIC,MLC-AXIAL;1nF,10%,50V,Y5P,TP,3		2	L202	2701-000114	INDUCTOR-AXIAL;10uH,10%,2.5x3.4mm	
2	C224	2202-000796	C-CERAMIC,MLC-AXIAL;1nF,10%,50V,Y5P,TP,3		2	L301	2701-000142	INDUCTOR-AXIAL;1uH,10%,2.5x3.4mm	
2	C906	2202-000796	C-CERAMIC,MLC-AXIAL;1nF,10%,50V,Y5P,TP,3		2	L302	2701-000142	INDUCTOR-AXIAL;1uH,10%,2.5x3.4mm	
2	C505	2202-000825	C-CERAMIC,MLC-AXIAL;680pF,10%,50V,Y5P,TP		2	L404	2701-000142	INDUCTOR-AXIAL;1uH,10%,2.5x3.4mm	
2	C226	2202-000829	C-CERAMIC,MLC-AXIAL;0.82NF,10%,50V,Y5P,TP		2	L903	2701-000158	INDUCTOR-AXIAL;22uH,10%,2.5x3.4mm	
2	C707	2301-000204	C-FILM,PEF;2.7nF,5%,50V,TP,7.4x3.9x13mm,		2	L102	2701-000159	INDUCTOR-AXIAL;22uH,10%,4.2x9.8mm	
2	C502	2301-000213	C-FILM,PEF;220nF,5%,250V,TP,21.5x11,7.5		2	L201	2701-000159	INDUCTOR-AXIAL;22uH,10%,4.2x9.8mm	
2	C109	2301-000224	C-FILM,PEF;22nF,5%,50V,TP,7.4x3.9x13mm,5		2	L205	2701-000159	INDUCTOR-AXIAL;22uH,10%,4.2x9.8mm	
2	C804	2301-000224	C-FILM,PEF;22nF,5%,50V,TP,7.4x3.9x13mm,5		2	L405	2701-000159	INDUCTOR-AXIAL;22uH,10%,4.2x9.8mm	
2	C805	2301-000235	C-FILM,PEF;3.9nF,5%,50V,TP,6.5x3.0x5.5mm		2	L902	2701-000180	INDUCTOR-AXIAL;33uH,5%,2.5x3.4mm	
2	C309	2301-000254	C-FILM,PEF;39nF,5%,50V,TP,7.5x3.5x6.5mm		2	L904	2701-000180	INDUCTOR-AXIAL;33uH,5%,2.5x3.4mm	
2	C606	2301-000111	C-FILM,PEF;1.8nF,5%,50V,TP,6.5x3.0x5.5mm		2	L702	2701-000184	INDUCTOR-AXIAL;4.7uH,10%,2.5x3.4mm	
2	C217	2301-000342	C-FILM,PEF;2.2nF,5%,50V,TP,7.4x3.9x13mm,		2	L703	2701-000184	INDUCTOR-AXIAL;4.7uH,10%,2.5x3.4mm	
2	C234	2301-000342	C-FILM,PEF;2.2nF,5%,50V,TP,7.4x3.9x13mm,		2	L704	2701-000184	INDUCTOR-AXIAL;4.7uH,10%,2.5x3.4mm	
2	C407	2301-000383	C-FILM,PEF;10nF,5%,50V,TP,6x7x3.2mm,5mm		2	L706	2701-000184	INDUCTOR-AXIAL;4.7uH,10%,2.5x3.4mm	
2	C227	2301-000445	C-FILM,PEF;4.7nF,5%,50V,TP,5.5x7x3mm,5mm		2	X901	2801-003937	CRYSTAL-UNIT;12MHz,25ppm,28-AM,30pF,300	
2	C248	2301-000445	C-FILM,PEF;4.7nF,5%,50V,TP,5.5x7x3mm,5mm		△	L403	2901-000297	FILTER-EMI ON BOARD;-3A,-,-3.5x5,TP-	
2	C420	2301-001065	C-FILM,MPPF;47nF,5%,630V,TP,19x15.5x7.7,		2	L806	2901-000297	FILTER-EMI ON BOARD;-3A,-,-3.5x5,TP-	
2	C301	2305-000285	C-FILM,MPEF;220NF,5%,100V,TP,10.5X5.5X15		2	L808	2901-000297	FILTER-EMI ON BOARD;-3A,-,-3.5x5,TP-	
2	C215	2305-000289	C-FILM,MPEF;220nF,5%,63V,TP,-,5mm		2	Z202	2903-001040	FILTER-CERAMIC;TR,5.5/6/0.65MHz,-,1dB,-	
2	C216	2305-000289	C-FILM,MPEF;220nF,5%,63V,TP,-,5mm		2	L802	3301-000287	CORE-FERRITE BEAD;AA,3.5x1.0x6.0mm,1500,	
2	C233	2305-000289	C-FILM,MPEF;220nF,5%,63V,TP,-,5mm		2	L803	3301-000287	CORE-FERRITE BEAD;AA,3.5x1.0x6.0mm,1500,	



Level	Loc. No.	Code No.	Description ; Specification	Remark	Level	Loc. No.	Code No.	Description ; Specification	Remark
2	EY813	AA60-40011A	K EYELET;ID2.0,OD2.8,BST		2	R812	2003-002239	R-METAL OXIDE(S);100KOHM,5%,2W,AF,TP,3.9	
2	EY818	AA60-40011A	K EYELET;ID2.0,OD2.8,BST		2	R302	2004-004969	R-METAL(S);1.1Kohm,1%,1/2W,AA,TP,2.4x6.4	
2	EY819	AA60-40011A	K EYELET;ID2.0,OD2.8,BST		2	R421	2008-001013	R-FUSIBLE(S);1.2ohm,5%,2W,AF,TP,3.9x10mm	
2	EY821	AA60-40011A	K EYELET;ID2.0,OD2.8,BST		2	R505	2008-001011	R-FUSIBLE(S);0.18ohm,10%,2W,AF,TP,3.9x10	
2	EY822	AA60-40011A	K EYELET;ID2.0,OD2.8,BST		2	R413	2003-000532	R-METAL OXIDE(S);18ohm,5%,2W,AF,TP,4x12m	
2	EY823	AA60-40011A	K EYELET;ID2.0,OD2.8,BST		2	R107	2001-000331	R-CARBON;12KOHM,5%,1/8W,AA,TP,1.8X3.2MM	
2	EY824	AA60-40011A	K EYELET;ID2.0,OD2.8,BST		2	R840	2001-001122	R-CARBON(S);3.9KOHM,5%,1/2W,AA,TP,2.4X6.	
2	EY825	AA60-40011A	K EYELET;ID2.0,OD2.8,BST		2	C818	2401-003028	C-AL;100uF;20%,25V,WT,TP,6.3x11.5	
2	EY827	AA60-40011A	K EYELET;ID2.0,OD2.8,BST		2	C821	2401-003028	C-AL;100uF;20%,25V,WT,TP,6.3x11.5	
2	EY828	AA60-40011A	K EYELET;ID2.0,OD2.8,BST		2	R728	2001-000273	R-CARBON;100KOHM,5%,1/8W,AA,TP,1.8X3.2M	
2	EY829	AA60-40011A	K EYELET;ID2.0,OD2.8,BST		2	R923	2001-000273	R-CARBON;100KOHM,5%,1/8W,AA,TP,1.8X3.2M	
2	EY830	AA60-40011A	K EYELET;ID2.0,OD2.8,BST		2	C603	2301-000247	C-FILM,PEF;33nF;5%,50V,TP,8.1x4.5x13mm,5	
2	EY833	AA60-40011A	K EYELET;ID2.0,OD2.8,BST		2		0203-001123	TAPE-PAPER;#53131,TO.15,W6.0,L200000,YEL	
2	EY850	AA60-40011A	K EYELET;ID2.0,OD2.8,BST		2	C102	2202-000279	C-CERAMIC,MLC-AXIAL;47pF;5%,50V,SL,TP,3.	
2	EY851	AA60-40011A	K EYELET;ID2.0,OD2.8,BST		2	DZ401	0403-001319	DIODE-ZENER;MTZJ4.7C,4.68-4.93V,500mW,DO	
2	EY852	AA60-40011A	K EYELET;ID2.0,OD2.8,BST		2	DZ906	0403-001319	DIODE-ZENER;MTZJ4.7C,4.68-4.93V,500mW,DO	
2	EY853	AA60-40011A	K EYELET;ID2.0,OD2.8,BST		2	DZ907	0403-001319	DIODE-ZENER;MTZJ4.7C,4.68-4.93V,500mW,DO	
2	EY860	AA60-40011A	K EYELET;ID2.0,OD2.8,BST		2	DZ908	0403-001319	DIODE-ZENER;MTZJ4.7C,4.68-4.93V,500mW,DO	
2	EY861	AA60-40011A	K EYELET;ID2.0,OD2.8,BST		2	R306	2004-001390	R-METAL(S);1Kohm,2%,1/2W,AA,TP,2.4x6.4mm	
2	EL301	AA60-40011B	K EYELET;ID2.2,OD3.2,BSP		△ 2	NT802S	1404-001045	THERMISTOR-NTC;4.7ohm,15%,2900K,35.0mW,T	
2	EL302	AA60-40011B	K EYELET;ID2.2,OD3.2,BSP		△ 2	P803S	1404-001156	THERMISTOR-PTC;90HM,+30%/-20%,220Vrms,27	
2	EL403	AA60-40011B	K EYELET;ID2.2,OD3.2,BSP		△ 2	CX801S	2306-000318	C-FILM,MPPF;220nF;20%,250V,TP,-22.5mm	
2	EL404	AA60-40011B	K EYELET;ID2.2,OD3.2,BSP		△ 2	SF101S	2904-001070	FILTER-SAW AV;38.9MHz,SIP5K,TP,14.6dB,B/	
2	EL407	AA60-40011B	K EYELET;ID2.2,OD3.2,BSP		△ 2	T401	AA26-50001B	TRANS-HORIZ.DRIVE;---,7.1mH;---,102uH,	
2	EL408	AA60-40011B	K EYELET;ID2.2,OD3.2,BSP		△ 2	LX801S	AA29-30001D	FILTER LINE NOISE;SQ1913,-,6.0MH,0.8A,-	
2	EL501	AA60-40011B	K EYELET;ID2.2,OD3.2,BSP		△ 2	TU01S	AA40-00076A	TUNER;TECC0949PG35(A,S),PAL,181CH,38.	
2	EL502	AA60-40011B	K EYELET;ID2.2,OD3.2,BSP		2	LD901	AA96-00555A	ASSY LED GUIDE;---,UJEX-LD-030,GREEN	
2	EL601	AA60-40011B	K EYELET;ID2.2,OD3.2,BSP		2	IC501	AA96-00842A	ASSY H/S;VIDEO,AA62-30175D,TDA6107Q	
2	EL602	AA60-40011B	K EYELET;ID2.2,OD3.2,BSP		3	IC501	1201-001541	IC-VIDEO AMP;6107,ZSIP9P,-,SINGLE,-,PLA	
2	EL603	AA60-40011B	K EYELET;ID2.2,OD3.2,BSP		3	SCR501	6003-000334	SCREW-TAPTITE;RH,+2S,M3,L6,ZPC(YEL),SWR	
2	EL604	AA60-40011B	K EYELET;ID2.2,OD3.2,BSP		3	H/S501	AA62-30175D	HEAT SINK-PS,-,SECC,T1.0,-,33X15X30 FT-2	
2	EL801	AA60-40011B	K EYELET;ID2.2,OD3.2,BSP		2	V999S	3704-001105	SOCKET-CRT;11P20PI,26.5PI,NI,-	
2	EL802	AA60-40011B	K EYELET;ID2.2,OD3.2,BSP		2	RM901	AA32-00015A	MODULE REMOCON;FRP-3521H31,38KHZ,940MM,M	
2	EL804	AA60-40011B	K EYELET;ID2.2,OD3.2,BSP		△ 2	IC801S	AA96-00845A	ASSY H/S;POWER,AA62-30186B,KA500765R	
2	GT101	AA60-40014A	PIN-GT,ASSY,AUTO		△ 3	IC801	1203-001932	IC-PWM CONTROLLER;500765,TO-220F,5P,185M	
2	GT502	AA60-40014A	PIN-GT,ASSY,AUTO		3	SCR801	6003-000333	SCREW-TAPTITE;RH,+2S,M3,L10,ZPC(YEL),SW	
2	GT802	AA60-40014A	PIN-GT,ASSY,AUTO		3	H/S801	AA62-30186B	HEAT SINK-ES;---,SILVER,171J + COVER-H	
2	GT803	AA60-40014A	PIN-GT,ASSY,AUTO		3		HA68-02189A	LABEL-WARNING,-,33MM,18MM,WHITE	
2	GT804	AA60-40014A	PIN-GT,ASSY,AUTO		3		0205-000129	GREASE-SILICON;SC102,JAPAN	
2	GT805	AA60-40014A	PIN-GT,ASSY,AUTO		△ 2	IC802	AA96-00846A	ASSY H/S;POWER,AA62-00055A,KA7632	
2	GT806	AA60-40014A	PIN-GT,ASSY,AUTO		△ 3	IC802	1203-001939	IC-POSIFIXED REG.;7632,SIP,10P,-,PLASTI	
2	GT501	AA60-40014A	PIN-GT,ASSY,AUTO		3	H/S802	AA62-00055A	HEAT SINK-PS;---,T1.0,-,35*15*25,D1,-,-	
2	GT807	AA60-40014A	PIN-GT,ASSY,AUTO		3	SCR802	6003-000334	SCREW-TAPTITE;RH,+2S,M3,L6,ZPC(YEL),SWR	
2	R424	2004-001402	R-METAL(S);6.8Kohm,1%,1/2W,AA,TP,2.4x6.4		△ 2	T801S	AA26-00134A	TRANS SWITCHING;SCS215ST,160V-260V,PM2 P	
△ 2	R423	2004-001373	R-METAL(S);100Kohm,1%,1/2W,AA,TP,2.4x6.4		2	IC902	1103-001106	IC-EEPROM;C810C,1028x8BIT,DIP8P,300MIL,	
△ 2	FD801S	3601-001163	FUSE-AXIAL LEAD;125V,7A,-,EPOXY,2.4X7.1M		△ 2	SW801S	3403-001107	SWITCH-PUSH;250V,5A,DPST,-,KDC-A04	
△ 2	D807	0402-000493	DIODE-RECTIFIER;1R5GU41,400V,1.5A,DO-15L		2	Q401	0502-001160	TR-POWER;2SD2499,NPN,50000mW,TO-3PBK,8	
2	D303	0402-000132	DIODE-RECTIFIER;1N4004,400V,1A,DO-41,TP		2	JS701	3722-000183	JACK-SCART;21P,4mm,SN,BLK,NO	
△ 2	D809	0402-000132	DIODE-RECTIFIER;1N4004,400V,1A,DO-41,TP		2	TOP	AA39-20010D	LEAD CONNECTOR-ASSY;1P,YFH800-01,S,400,	
2	C115	2202-000632	C-CERAMIC,MLC-AXIAL;100nF;20%,50V,Z5U,TP		2	TOP	AA39-20010D	LEAD CONNECTOR-ASSY;1P,YFH800-01,S,400,	
2	C211	2202-000632	C-CERAMIC,MLC-AXIAL;100nF;20%,50V,Z5U,TP		2	CN501	AA39-20620C	LEAD CONNECTOR-ASSY;9P,YBNH250-09,S,500	
2	C911	2202-000632	C-CERAMIC,MLC-AXIAL;100nF;20%,50V,Z5U,TP		2	IC301	AA96-00847A	ASSY H/S;AA62-00046A,LA7840	
2	C822	2401-000711	C-AL;2200uF;20%,25V,GP,TP,16x25,7.5		3		1204-001483	IC-VERTICAL PROCESSOR;LA7840,SIP,7P,708MI	
2	C806	2301-001435	C-FILM,PPF;1.5nF;5%,1.2kV,TP,15x8x12.5mm		3		AA62-00064A	HEAT SINK-PS;DP;---,AA62-00046A,---	
2	C207	2305-000412	C-FILM,MPEF;470nF;5%,63V,TP,-,5mm		3		6003-000334	SCREW-TAPTITE;RH,+2S,M3,L6,ZPC(YEL),SWR	
2	C901	2305-000412	C-FILM,MPEF;470nF;5%,63V,TP,-,5mm		3		0205-000129	GREASE-SILICON;SC102,JAPAN	
2	HIC01	AA13-20004W	IC HYBRID;---,PAP103T,SIP6PPRE-AMPTP		2	C801	2401-002219	C-AL;220uF;20%,400V,GP,ST,25x40,10	
2	RW701	2011-001133	R-NETWORK;33K/24K/75x3,5%,1/8W,X,SIP,6P,		△ 2	T444S	AA26-00116A	TRANS FBT;FV-14A004H(S),CT15A8,3.24MH,1	
2	R303	2008-001133	R-FUSIBLE(S);0.75ohm,5%,2W,AF,TP,3.9x10m		2	SUB	AA98-00079A	ASSY SUB PART;KS1A,MAIN(OPT),PAL,-	
2	PCB	AA41-00131G	PCB-MAIN;CS2139,FR-1,1L,G,1.6T,245X245,K		3		0202-000008	SOLDER-WIRE;S63S-W3.0,S63S,D3,63Sn/37Pb,	
2	C702	2202-000210	C-CERAMIC,MLC-AXIAL;270pF;10%,50V,Y5P,TP		3		0202-000187	SOLDER-WIRE FLUX;-RS60S,D1,2.63Sn/37Pb	
△ 2	FP801S	3601-000281	FUSE-CARTRIDGE;250V,4A,TIME-LAG,GLASS,5.		3		0204-000442	SOLVENT;1M-1000,C3H7OH,96,-	
2	L101	2701-000171	INDUCTOR-AXIAL;330nH,10%,2.5x3.4mm		3		0204-001024	FLUX;DF-98TVS,-,20%,	
2	Z203	2903-000181	FILTER-CERAMIC;BR,5.5MHz,---,TP,TPS5.5		△ 2	CR410S	2303-001015	C-FILM,PPF;5.5nF;5%,1.6kV,TP,29x9.5x17,2	
2	J101	2001-000613	R-CARBON;3.9KOHM,5%,1/8W,AA,TP,1.8X3.2M		2	IC602	AA96-00848A	ASSY H/S;SOUND,AA62-30175D,TDA8943	
2	L807	2701-001030	INDUCTOR-AXIAL;43uH,10%,5x14mm		3	SCR602	6003-000334	SCREW-TAPTITE;RH,+2S,M3,L6,ZPC(YEL),SWR	
2	L804	2701-001030	INDUCTOR-AXIAL;43uH,10%,5x14mm		3	H/S602	AA62-30175D	HEAT SINK-PS;---,SECC,T1.0,-,33X15X30 FT-2	
2	C403	2401-000560	C-AL;1uF;20%,160V,GP,TP,6.3x11.5		3	IC602	1201-001740	IC-AUDIO AMP;TDA8943,SIL,9P,850MIL,SINGL	
2	C615	2202-000253	C-CERAMIC,MLC-AXIAL;4.7nF;20%,16V,Y5R,TP		2	CN601	3711-002642	CONNECTOR-HEADER;BOX,3P,1R,2.5mm,STRAIGH	
△ 2	D804	0401-000006	DIODE-SWITCHING;BAV21,250V,250mA,DO-35,T		2	LW01	AA27-40001M	COIL HORIZ. WIDTHH;-180/480uH,SB-556202	
△ 2	D805	0402-001470	DIODE-RECTIFIER;RU2BV1,800V,1A,DO-204AC,		△ 2	CY801S	2201-000446	C-CERAMIC,DISC;3.3nF;20%,400V,Y5U,TP,15x	
2	R808	2001-001138	R-CARBON(S);390OHM,5%,1/2W,AA,TP,2.4X6.4		△ 2	CR402S	2306-000350	C-FILM,MPPF;270nF;5%,400V,TP,26X18.5X10M	
2	R831	2001-001088	R-CARBON(S);1KOHM,5%,1/2W,AA,TP,2.4X6.4M		△ 2	LR401S	AA27-30001B	COIL LINEARITY;-195uH,QIC1010,PI0.4,4.5	
2	L104	2701-000168	INDUCTOR-AXIAL;3.3uH;5%,2.5x3.4mm		2	CN706A	AA95-01473A	ASSY ETC.,CFKS1A,SECAM-L	
2	L204	2701-000168	INDUCTOR-AXIAL;3.3uH;5%,2.5x3.4mm		3	ICL01	1204-001583	IC-IF CIRCUIT;U4468B,DIP,16P,-,PLASTIC,5	
2	C203	2401-002462	C-AL;33uF;20%,16V,GP,TP,5x11.5		3	SFS01	2904-001225	FILTER-SAW AV;38.9MHz,SIP5K,ST,15.7dB,L/	
2	R811	2003-002239	R-METAL OXIDE(S);100KOHM,5%,2W,AF,TP,3.9		3	CN706	3711-002701	CONNECTOR-HEADER;NOWALL,3P,1R,2.5mm,ANGL	

Level	Loc. No.	Code No.	Description ; Specification	Remark
3	CN705	3711-002708	CONNECTOR-HEADER;NOWALL,10P1R,2.5mm,ANG	
3	CL01	2202-000796	C-CERAMIC,MLC-AXIAL;1NF,10%,50V,Y5P,TP,3	
3	CL02	2401-000027	C-AL;4.7uF,20%,50V,GP,TP,5x11,5	
3	CL03	2401-000027	C-AL;4.7uF,20%,50V,GP,TP,5x11,5	
3	CL04	2401-002235	C-AL;10uF,20%,16V,GP,TP,5x11mm,5mm	
3	CL05	2401-002144	C-AL;47uF,20%,16V,GP,TP,5x11,5	
3	CL06	2401-002144	C-AL;47uF,20%,16V,GP,TP,5x11,5	
3	CL07	2305-000196	C-FILM,MPEF;150nF,5%,63V,TP,-,5mm	
3	CL08	2305-000196	C-FILM,MPEF;150nF,5%,63V,TP,-,5mm	
3	DL01	0401-001088	DIODE-SWITCHING;BAW76,50V,300mA,DO-35,TP	
3	LL01	2701-000116	INDUCTOR-AXIAL;10uH,10%,4.2x9,8mm	
3	QL01	0501-000389	TR-SMALL SIGNAL;KSC815,NPN,400mW,TO-92,T	
3	QL02	0501-000389	TR-SMALL SIGNAL;KSC815,NPN,400mW,TO-92,T	
3	QL03	0501-000389	TR-SMALL SIGNAL;KSC815,NPN,400mW,TO-92,T	
3	QL04	0501-000389	TR-SMALL SIGNAL;KSC815,NPN,400mW,TO-92,T	
3	RL07	2001-000449	R-CARBON;2.2KOHM,5%,1/8W,AA,TP,1.8X3.2MM	
3	RL03	2001-000449	R-CARBON;2.2KOHM,5%,1/8W,AA,TP,1.8X3.2MM	
3	RL02	2001-000674	R-CARBON;360OHM,5%,1/8W,AA,TP,1.8X3.2MM	
3	RL05	2001-000281	R-CARBON;100OHM,5%,1/8W,AA,TP,1.8X3.2MM	
3	RL13	2001-000281	R-CARBON;100OHM,5%,1/8W,AA,TP,1.8X3.2MM	
3	RL11	2001-000429	R-CARBON;1KOHM,5%,1/8W,AA,TP,1.8X3.2MM	
3	RL06	2001-000429	R-CARBON;1KOHM,5%,1/8W,AA,TP,1.8X3.2MM	
3	RL10	2001-000786	R-CARBON;47KOHM,5%,1/8W,AA,TP,1.8X3.2MM	
3	RL12	2001-000786	R-CARBON;47KOHM,5%,1/8W,AA,TP,1.8X3.2MM	
3	RL15	2001-000786	R-CARBON;47KOHM,5%,1/8W,AA,TP,1.8X3.2MM	
3	RL14	2001-000009	R-CARBON;20KOHM,5%,1/8W,AA,TP,1.8X3.2MM	
3	PCB	AA41-00468A	PCB-SECAM,L/MONO;CF2139,FR-1,1L,A,1.6T,2	
3	RL08	2001-000290	R-CARBON;10KOHM,5%,1/8W,AA,TP,1.8X3.2MM	
3		0203-001123	TAPE-PAPER;#53131,TO.15,W6.0,L200000,YEL	
2	IC201S	AA09-00271A	IC MICOM;TDA9381/N2/3,SPM-802EWN2,64F3.	
2	CN401	AA60-40012D	PIN-GT,ASSY;T1,6,6-12.5,-NYLON66	
2	CN703	3711-002646	CONNECTOR-HEADER;BOX,7P,1R,2.5mm,STRAIGH	

**ASSY PCB MISC-A/V SIDE**

1	AA94-12271B	ASSY PCB MISC-A/V SIDE;21F3,PAL	
2	AV+CF	6003-001023	SCREW-TAPTITE;RWH,+,B,M3,L10,ZPC(YEL),SW
2		AA63-10002A	BAND-TIE;NYLON66 V2,L100,NTR
2		AA61-01234A	HOLDER-AV;21F3,HIPS HB,G4309,SV012P
2		AA64-03080B	INLAY-AV;21F3,PS SHEET,TO.3,BLK,KS1A,SIL
2		AA63-00632A	COVER-AV;21F3,HIPS,HB,BLK
2		6003-000334	SCREW-TAPTITE;RH,+,2S,M3,L6,ZPC(YEL),SWR

**ASSY ETC-A/V SIDE**

1	AA95-03124A	ASSY ETC-A/V SIDE;20F3-21F3,KS1A	
2		0202-000008	SOLDER-WIRE;S63S-W3.0,S63S,D3,63Sn/37Pb
2		0202-000187	SOLDER-WIRE FLUX;-RS60S,D1,2.63Sn/37Pb
2		0204-000442	SOLVENT;1M-1000,C3H7OH,96,-
2		0204-001024	FLUX;DF-98TVS,-,20%,-
2	JA701	3722-001041	JACK-RCA;1P,3.4MM,#16-22,AU
2	JA702	3722-001042	JACK-RCA;1P,3.4MM,#16-22,AU
2	CN702	AA39-20070A	LEAD CONNECTOR-ASSY;7P,YBNH025-07,67096
2	CE04	2202-000121	C-CERAMIC,MLC-AXIAL;100pF,10%,50V,Y5P,TP
2	LE04	2701-000114	INDUCTOR-AXIAL;10uH,10%,2.5x3.4mm
2	PCB	AA41-00751A	PCB-A/V SIDE;CS21F3,FR-1,1L,A,1.6T,245X2

**ASSY CRT**

1	AA94-05859A	ASSY CRT;A51EER31X,+400MG,21	
2	AA03-00279A	CRT COLOR;A51EER33X,+380MG,2.07MH,21.0MH	
2	AA27-20003Z	COIL DEGAUSSING;-21,13.5ohm,25T,L2380,E	
2	AA63-10002A	BAND-TIE;NYLON66 V2,L100,NTR	
2	AA98-70030A	ASSY TBC WIRE(P);DP,21,AA98-70014C,1P,TV	
2	AA65-30107A	CLAMPER CORE-D,COIL;20-22 INCH,NYLON 66,	

Level	Loc. No.	Code No.	Description ; Specification	Remark
1	AA90-04456A	ASSY COVER REAR;21F3,SEH		
2	AA64-03006A	CABINET-BACK;21F3,HIPS,FV2,G4309		
3	AA81-00096A	RESIN-A-VL-1823,G5433,A		
3	HA83-00011A	LP-RESIN;M BATCH,WILSON 6007-GY-60,GRY		
2	CB+CF	6002-000515	SCREW-TAPPING;RH,+,2,M4,L15,ZPC(WHT),SWR	
2	AA65-30008A	CLAMPER CORE-CORD;-,PE,HB,-,BLK,-		
2	AA65-30110A	CLAMPER CORE-WIRE;ALL MODEL,NYLON 66,V2,		

**ASSY COVER REAR**

**ASSY COVER FRONT**

1	AA90-04455A	ASSY COVER FRONT;21F3,SEH		
2	AA96-01258A	ASSY COVER P-FRONT;21F3,HIPS HB,SV012P S		
3	AA64-03005B	CABINET-FRONT;21F3,HIPS,HB,G4309,SV012P		
4	HA83-00021A	LP-MARKING PAINT;WHITE,TPC180		
4	HA83-00040A	LP-MARKING PAINT;METALLIC SILVER,SV-012		
4	HA83-00011A	LP-RESIN;M BATCH,WILSON 6007-GY-60,GRY		
4	HA83-00006A	LP-RESIN HIPS;BASF495F,NTR,HB		
3	AA64-03009A	KNOB-CONTROL;21F3,ABS,HB,G3676,SVM-3012		
4	HA83-00040A	LP-MARKING PAINT;METALLIC SILVER,SV-012		
4	HA83-00006A	LP-RESIN HIPS;BASF495F,NTR,HB		
4	HA83-00011A	LP-RESIN;M BATCH,WILSON 6007-GY-60,GRY		
4	AA64-03010A	KNOB-POWER;21F3,ABS,HB,G3676,SVM-3012		
4	HA83-00040A	LP-MARKING PAINT;METALLIC SILVER,SV-012		
4	HA83-00006A	LP-RESIN HIPS;BASF495F,NTR,HB		
4	HA83-00011A	LP-RESIN;M BATCH,WILSON 6007-GY-60,GRY		
3	AA64-03013A	WINDOW-RMC,LED;21F3,ACRYL,CLR		
4	HA83-00009A	LP-RESIN PC;LEXAN 121R,VIOLET		
3	AA65-30105A	CLAMPER CORE-WIRE;ALL MODEL,NYLON 66,V2,		
3	HA83-00049A	LP-ADHESIVE-HM;12MM,NTR		
3	AA64-70127F	BADGE-BRAND;NEW,AL,-,L40,R800,SILVER,S		
3	AA61-60003J	SPRING ETC-CS;-SUS304,-,OD6,N7,OD6,-,		
3	KC+CF	6003-001019	SCREW-TAPTITE;RH,+,B,M4,L12,ZPC(BLK),SWR	
3	WR+CF	6003-001019	SCREW-TAPTITE;RH,+,B,M4,L12,ZPC(BLK),SWR	
3	SPK+CF	6003-001019	SCREW-TAPTITE;RH,+,B,M4,L12,ZPC(BLK),SWR	
3	AA96-01188A	ASSY HOLDER SPK;160HM,3001-001008,AA39-2		
4	AA39-20500G	LEAD CONNECTOR-ASSY;3(2),67096-003,REC,		
4	3001-001008	SPEAKER;5W,16ohm,90dB,180Hz		
4	AA61-40113A	STOPPER-PCB;501H,HIPS,-,HB,NTR,-		
3	HA61-00721B	HOLDER-RAIL;21F5,HIPS,HB,GRY		
4	HA83-00006A	LP-RESIN HIPS;BASF495F,NTR,HB		
4	HA83-00011A	LP-RESIN;M BATCH,WILSON 6007-GY-60,GRY		
2	qms rating	HA83-00052A	LP-TAPE-INK;WIDTH 55 MM	
2		HA83-00052A	LP-TAPE-INK;WIDTH 55 MM	
2		HA68-02177B	LABEL-PQS;ALL,30MM,65MM,WHITE,AA68-02177	
2		AA65-30018A	CLAMPER CORE-WIRE;DONG-A,NYLON-66,-,-,-,	
2		HA68-02179A	LABEL-RATING;58MM,53MM,WHITE	

**REMOCON**

1	AA59-00104J	REMOCON;-TM59,SIM806E,25L/GRAY,EX,GR		
---	-------------	--------------------------------------	--	--

**ASSY POWER CORD**

1	AA96-01126A	ASSY POWER CORD;DPA39-10001G,CP2,H/C25		
2	AA39-10001G	CBF POWER CORD;-KKP-419C,KLCE-2F,2.286m		
2	AA61-20284A	HOLDER-P-CORD,PP,-,-,BLK,VO,KE-002		

**ASSY ACCESSORY**

1	AA94-05819A	ASSY ACCESSORY;20-21,KS1A,XF		
2	HA68-00336B	CARD-WARRANTY;A/P100(G),A5,NEW VERSION,I		
2	4301-000120	BATTERY-MN;1.5V,-AA,14.5x50mm,-		
2	HA83-00047A	LP-TAPEACETATE;TO.1MM,W20MM,L200MM		

Level	Loc. No.	Code No.	Description ; Specification	Remark	Level	Loc. No.	Code No.	Description ; Specification	Remark
-------	----------	----------	-----------------------------	--------	-------	----------	----------	-----------------------------	--------

2		HA69-00276A	BAG VINYL;HDPE,T0.025,L400,W240,-,W/O LO	
2		HA68-02065A	MANUAL USERS;FRA,A/P100(G),31P;145,205	
2		HA68-02331A	CARD-REGISTRATION;EUROPE,2,W/P120,A5,4P	

### ASSY P/MATERIAL

1		AA92-07440A	ASSY P/MATERIAL;21F3	
2		AA60-40006A	PIN-STAPLE;AUTO,33X17.8X2.4,H18,33X17.8X	
2		AA69-01799A	CUSHION SET;21F3,PS FOAMED,C=0.02	
2		AA69-00744C	BAG-SHEET,-;HDPE PE FOAM,T0.015,W1050,H9	

### ASSY BOX

1		AA92-07438A	ASSY BOX;21F3,SEH	
2		AA69-01845B	PACKING CASE;21F3,D-2 BB,A1,YEL,SEH	
2		HA68-02178A	LABEL-BOX;250MM,89MM,WHITE	
2		HA83-00046A	LP-TAPE INK;,WIDTH 105 MM	

# 7-7 CS20H42TSXBWT

Level	Loc. No.	Code No.	Description ; Specification	Remark	Level	Loc. No.	Code No.	Description ; Specification	Remark
<b>ASSY PCB MAIN(OPT)</b>									
1		AA94-12213A	ASSY PCB MAIN(OPT);CS20H4T;KS1A,BWT		2	R619	2001-000019	R-CARBON(S);100HM,5%,1/2W,AA,TP,2.4X6.4MM	
2		HA68-02176A	LABEL LABEL		2	R409	2001-000022	R-CARBON(S);330HM,5%,1/2W,AA,TP,2.4X6.4MM	
2	D201	0401-000005	DIODE-SWITCHING;1N4148,100V,200mA,DO-35,		2	R823	2001-000037	R-CARBON(S);3300HM,5%,1/2W,AA,TP,2.4X6.4	
△	D811	0401-000005	DIODE-SWITCHING;1N4148,100V,200mA,DO-35,		2	R902	2001-000241	R-CARBON;1.5KOHM,5%,1/8W,AA,TP,1.8X3.2MM	
△	D801S	0402-001111	DIODE-RECTIFIER;1N5397GP600V,1.5A,DO-20		2	R904	2001-000241	R-CARBON;1.5KOHM,5%,1/8W,AA,TP,1.8X3.2MM	
△	D802S	0402-001111	DIODE-RECTIFIER;1N5397GP600V,1.5A,DO-20		2	R211	2001-000281	R-CARBON;1000HM,5%,1/8W,AA,TP,1.8X3.2MM	
△	D803S	0402-001111	DIODE-RECTIFIER;1N5397GP600V,1.5A,DO-20		2	R215	2001-000281	R-CARBON;1000HM,5%,1/8W,AA,TP,1.8X3.2MM	
△	D804S	0402-001111	DIODE-RECTIFIER;1N5397GP600V,1.5A,DO-20		2	R223	2001-000281	R-CARBON;1000HM,5%,1/8W,AA,TP,1.8X3.2MM	
△	D501	0402-000254	DIODE-RECTIFIER;RGP10J,600V,1A,DO-41,TP		2	R501	2001-000281	R-CARBON;1000HM,5%,1/8W,AA,TP,1.8X3.2MM	
△	D803	0402-000254	DIODE-RECTIFIER;RGP10J,600V,1A,DO-41,TP		2	R502	2001-000281	R-CARBON;1000HM,5%,1/8W,AA,TP,1.8X3.2MM	
2	D301	0402-001105	DIODE-RECTIFIER;ERB43-04SV1,400V,1.0A,-		2	R506	2001-000281	R-CARBON;1000HM,5%,1/8W,AA,TP,1.8X3.2MM	
2	D304	0402-001105	DIODE-RECTIFIER;ERB43-04SV1,400V,1.0A,-		2	R510	2001-000281	R-CARBON;1000HM,5%,1/8W,AA,TP,1.8X3.2MM	
△	D401	0402-001105	DIODE-RECTIFIER;ERB43-04SV1,400V,1.0A,-		2	R511	2001-000281	R-CARBON;1000HM,5%,1/8W,AA,TP,1.8X3.2MM	
2	D502	0402-001105	DIODE-RECTIFIER;ERB43-04SV1,400V,1.0A,-		2	R512	2001-000281	R-CARBON;1000HM,5%,1/8W,AA,TP,1.8X3.2MM	
2	D503	0402-001105	DIODE-RECTIFIER;ERB43-04SV1,400V,1.0A,-		2	R909	2001-000281	R-CARBON;1000HM,5%,1/8W,AA,TP,1.8X3.2MM	
2	D504	0402-001105	DIODE-RECTIFIER;ERB43-04SV1,400V,1.0A,-		2	R911	2001-000281	R-CARBON;1000HM,5%,1/8W,AA,TP,1.8X3.2MM	
△	D812	0402-001105	DIODE-RECTIFIER;ERB43-04SV1,400V,1.0A,-		2	R912	2001-000281	R-CARBON;1000HM,5%,1/8W,AA,TP,1.8X3.2MM	
2	D302	0402-001352	DIODE-RECTIFIER;GUF15G-20A,400V,1.5A,DO-		2	R913	2001-000281	R-CARBON;1000HM,5%,1/8W,AA,TP,1.8X3.2MM	
2	DZ402	0403-000508	DIODE-ZENER;MTZJ5.6B,5.6V,5.45-5.73V,500		2	R914	2001-000281	R-CARBON;1000HM,5%,1/8W,AA,TP,1.8X3.2MM	
2	DZ807	0403-000508	DIODE-ZENER;MTZJ5.6B,5.6V,5.45-5.73V,500		2	J137	2001-000281	R-CARBON;1000HM,5%,1/8W,AA,TP,1.8X3.2MM	
2	DZ810	0403-000508	DIODE-ZENER;MTZJ5.6B,5.6V,5.45-5.73V,500		2	R213	2001-000281	R-CARBON;1000HM,5%,1/8W,AA,TP,1.8X3.2MM	
2	DZ903	0403-000508	DIODE-ZENER;MTZJ5.6B,5.6V,5.45-5.73V,500		2	R933	2001-000281	R-CARBON;1000HM,5%,1/8W,AA,TP,1.8X3.2MM	
2	DZ904	0403-000508	DIODE-ZENER;MTZJ5.6B,5.6V,5.45-5.73V,500		2	R934	2001-000281	R-CARBON;1000HM,5%,1/8W,AA,TP,1.8X3.2MM	
2	DZ905	0403-000508	DIODE-ZENER;MTZJ5.6B,5.6V,5.45-5.73V,500		2	R708	2001-000281	R-CARBON;1000HM,5%,1/8W,AA,TP,1.8X3.2MM	
2	DZ901	0403-000508	DIODE-ZENER;MTZJ5.6B,5.6V,5.45-5.73V,500		2	R938	2001-000281	R-CARBON;1000HM,5%,1/8W,AA,TP,1.8X3.2MM	
2	DZ101	0403-000700	DIODE-ZENER;TZP33A,33V,31-35V,1W,DO-41,T		2	R224	2001-000290	R-CARBON;10KOHM,5%,1/8W,AA,TP,1.8X3.2MM	
2	DZ303	0403-000700	DIODE-ZENER;TZP33A,33V,31-35V,1W,DO-41,T		2	R828	2001-000290	R-CARBON;10KOHM,5%,1/8W,AA,TP,1.8X3.2MM	
2	DZ803	0403-000700	DIODE-ZENER;TZP33A,33V,31-35V,1W,DO-41,T		2	R910	2001-000290	R-CARBON;10KOHM,5%,1/8W,AA,TP,1.8X3.2MM	
2	DZ201	0403-000720	DIODE-ZENER;MTZJ9.1B,9.1V,8.57-9.01V,500		2	R920	2001-000290	R-CARBON;10KOHM,5%,1/8W,AA,TP,1.8X3.2MM	
2	DZ204	0403-000720	DIODE-ZENER;MTZJ9.1B,9.1V,8.57-9.01V,500		2	R922	2001-000290	R-CARBON;10KOHM,5%,1/8W,AA,TP,1.8X3.2MM	
2	DZ205	0403-000720	DIODE-ZENER;MTZJ9.1B,9.1V,8.57-9.01V,500		2	R921	2001-000290	R-CARBON;10KOHM,5%,1/8W,AA,TP,1.8X3.2MM	
2	DZ207	0403-000720	DIODE-ZENER;MTZJ9.1B,9.1V,8.57-9.01V,500		2	R919	2001-000290	R-CARBON;10KOHM,5%,1/8W,AA,TP,1.8X3.2MM	
2	DZ501	0403-000720	DIODE-ZENER;MTZJ9.1B,9.1V,8.57-9.01V,500		2	R230	2001-000290	R-CARBON;10KOHM,5%,1/8W,AA,TP,1.8X3.2MM	
2	DZ502	0403-000720	DIODE-ZENER;MTZJ9.1B,9.1V,8.57-9.01V,500		2	R225	2001-001035	R-CARBON;910HM,5%,1/8W,AA,TP,1.8X3.2MM	
2	DZ503	0403-000720	DIODE-ZENER;MTZJ9.1B,9.1V,8.57-9.01V,500		2	R918	2001-000429	R-CARBON;1KOHM,5%,1/8W,AA,TP,1.8X3.2MM	
2	DZ504	0403-000720	DIODE-ZENER;MTZJ9.1B,9.1V,8.57-9.01V,500		2	R926	2001-000429	R-CARBON;1KOHM,5%,1/8W,AA,TP,1.8X3.2MM	
2	DZ704	0403-000720	DIODE-ZENER;MTZJ9.1B,9.1V,8.57-9.01V,500		2	R210	2001-000429	R-CARBON;1KOHM,5%,1/8W,AA,TP,1.8X3.2MM	
2	DZ808	0403-000720	DIODE-ZENER;MTZJ9.1B,9.1V,8.57-9.01V,500		2	R717	2001-000429	R-CARBON;1KOHM,5%,1/8W,AA,TP,1.8X3.2MM	
2	DZ306	0403-000720	DIODE-ZENER;MTZJ9.1B,9.1V,8.57-9.01V,500		2	R916	2001-000449	R-CARBON;2.2KOHM,5%,1/8W,AA,TP,1.8X3.2M	
2	DZ307	0403-000720	DIODE-ZENER;MTZJ9.1B,9.1V,8.57-9.01V,500		2	R917	2001-000449	R-CARBON;2.2KOHM,5%,1/8W,AA,TP,1.8X3.2M	
2	DZ801	0403-001140	DIODE-ZENER;RD10ESAB-T4,10V,9.19-10.30V,		2	R220	2001-000472	R-CARBON;2.7KOHM,5%,1/8W,AA,TP,1.8X3.2M	
2	DZ302	0403-001221	DIODE-ZENER;UZ39BSB,35.36-37.19V,500mW,D		2	R901	2001-000472	R-CARBON;2.7KOHM,5%,1/8W,AA,TP,1.8X3.2M	
2	DZ806	0403-001317	DIODE-ZENER;MTZJ3.0B,3.01-3.22V,500mW,DO		2	R903	2001-000472	R-CARBON;2.7KOHM,5%,1/8W,AA,TP,1.8X3.2M	
2	DZ802	0403-001318	DIODE-ZENER;MTZJ4.3B,4.17-4.43V,500mW,DO		2	R908	2001-000472	R-CARBON;2.7KOHM,5%,1/8W,AA,TP,1.8X3.2M	
2	DZ203	0403-001322	DIODE-ZENER;MTZJ8.2B,7.78-8.19V,500mW,DO		2	R214	2001-000490	R-CARBON;2000HM,5%,1/8W,AA,TP,1.8X3.2MM	
2	DZ805	0403-001327	DIODE-ZENER;MTZJ18A,16.22-17.06V,500mW,DO		2	R206	2001-000563	R-CARBON;27KOHM,5%,1/8W,AA,TP,1.8X3.2MM	
2	DZ301	0403-001328	DIODE-ZENER;MTZJ22A,20.15-21.20V,500mW,D		2	R829	2001-000563	R-CARBON;27KOHM,5%,1/8W,AA,TP,1.8X3.2MM	
2	DZ305	0403-001328	DIODE-ZENER;MTZJ22A,20.15-21.20V,500mW,D		2	R929	2001-000563	R-CARBON;27KOHM,5%,1/8W,AA,TP,1.8X3.2MM	
2	Q201	0501-000283	TR-SMALL SIGNAL;KSA539,PNP,400mW,TO-92,T		2	R208	2001-000591	R-CARBON;3.3KOHM,5%,1/8W,AA,TP,1.8X3.2M	
2	Q901	0501-000283	TR-SMALL SIGNAL;KSA539,PNP,400mW,TO-92,T		2	R602	2001-000591	R-CARBON;3.3KOHM,5%,1/8W,AA,TP,1.8X3.2M	
2	Q206	0501-000283	TR-SMALL SIGNAL;KSA539,PNP,400mW,TO-92,T		2	R605	2001-000591	R-CARBON;3.3KOHM,5%,1/8W,AA,TP,1.8X3.2M	
2	Q402	0501-000369	TR-SMALL SIGNAL;KSC2331-Y,NPN,1000mW,TO-		2	R202	2001-000689	R-CARBON;390KOHM,5%,1/8W,AA,TP,1.8X3.2M	
2	Q202	0501-000389	TR-SMALL SIGNAL;KSC815,NPN,400mW,TO-92,T		2	R925	2001-000734	R-CARBON;4.7KOHM,5%,1/8W,AA,TP,1.8X3.2M	
2	Q205	0501-000389	TR-SMALL SIGNAL;KSC815,NPN,400mW,TO-92,T		2	R841	2001-000734	R-CARBON;4.7KOHM,5%,1/8W,AA,TP,1.8X3.2M	
2	Q701	0501-000389	TR-SMALL SIGNAL;KSC815,NPN,400mW,TO-92,T		2	R721	2001-000734	R-CARBON;4.7KOHM,5%,1/8W,AA,TP,1.8X3.2M	
2	Q903	0501-000389	TR-SMALL SIGNAL;KSC815,NPN,400mW,TO-92,T		2	R227	2001-000739	R-CARBON;4.7MOHM,5%,1/8W,AA,TP,1.8X3.2M	
2	Q905	0501-000389	TR-SMALL SIGNAL;KSC815,NPN,400mW,TO-92,T		2	R228	2001-000739	R-CARBON;4.7MOHM,5%,1/8W,AA,TP,1.8X3.2M	
2	Q702	0501-000389	TR-SMALL SIGNAL;KSC815,NPN,400mW,TO-92,T		2	R109	2001-000786	R-CARBON;47KOHM,5%,1/8W,AA,TP,1.8X3.2MM	
△	VX801S	1405-000187	VARISTOR;750V,1250A,12.5x7mm,TP		2	R704	2001-000786	R-CARBON;47KOHM,5%,1/8W,AA,TP,1.8X3.2MM	
2	R207	2001-000005	R-CARBON;390ohm,5%,1/8W,AA,TP,1.8x3.2mm		2	R209	2001-000793	R-CARBON;470HM,5%,1/8W,AA,TP,1.8X3.2MM	
2	R905	2001-000005	R-CARBON;390ohm,5%,1/8W,AA,TP,1.8x3.2mm		2	R927	2001-000793	R-CARBON;470HM,5%,1/8W,AA,TP,1.8X3.2MM	
2	R906	2001-000005	R-CARBON;390ohm,5%,1/8W,AA,TP,1.8x3.2mm		2	R203	2001-000857	R-CARBON;5600HM,5%,1/8W,AA,TP,1.8X3.2MM	
2	R218	2001-000008	R-CARBON;15KOHM,5%,1/8W,AA,TP,1.8X3.2MM		2	R204	2001-000857	R-CARBON;5600HM,5%,1/8W,AA,TP,1.8X3.2MM	
2	R205	2001-000011	R-CARBON;75KOHM,5%,1/8W,AA,TP,1.8X3.2MM		2	R713	2001-000857	R-CARBON;5600HM,5%,1/8W,AA,TP,1.8X3.2MM	
2	R301	2001-000016	R-CARBON(S);10HM,5%,1/2W,AA,TP,2.4X6.4MM		2	R715	2001-000857	R-CARBON;5600HM,5%,1/8W,AA,TP,1.8X3.2MM	
2	J125	2001-000016	R-CARBON(S);10HM,5%,1/2W,AA,TP,2.4X6.4MM		2	R110	2001-000924	R-CARBON;6800HM,5%,1/8W,AA,TP,1.8X3.2MM	
2	R843	2001-000019	R-CARBON(S);100HM,5%,1/2W,AA,TP,2.4X6.4M		2	R915	2001-000924	R-CARBON;6800HM,5%,1/8W,AA,TP,1.8X3.2MM	
2	R618	2001-000019	R-CARBON(S);100HM,5%,1/2W,AA,TP,2.4X6.4M		2	R108	2001-000947	R-CARBON;7.5KOHM,5%,1/8W,AA,TP,1.8X3.2M	
					2	R222	2001-000947	R-CARBON;7.5KOHM,5%,1/8W,AA,TP,1.8X3.2M	
					2	R702	2001-000969	R-CARBON;750HM,5%,1/8W,AA,TP,1.8X3.2MM	
					2	R719	2001-000969	R-CARBON;750HM,5%,1/8W,AA,TP,1.8X3.2MM	







Level	Loc. No.	Code No.	Description ; Specification	Remark	Level	Loc. No.	Code No.	Description ; Specification	Remark	
2	EY829	AA60-40011A	K EYELET;ID2.0,OD2.8,BST		2	DZ908	0403-001319	DIODE-ZENER;MTZJ4.7C,4.68-4.93V,500mW,DO		
2	EY830	AA60-40011A	K EYELET;ID2.0,OD2.8,BST		2	R115	2001-000645	R-CARBON;330KOHM,5%,1/8W,AA,TP,1.8X3.2M		
2	EY833	AA60-40011A	K EYELET;ID2.0,OD2.8,BST		2	R116	2001-000319	R-CARBON;120KOHM,5%,1/8W,AA,TP,1.8X3.2M		
2	EY850	AA60-40011A	K EYELET;ID2.0,OD2.8,BST		2	R413	2003-000592	R-METAL OXIDE(S);220hm,5%,2W,AF,TP,4x12m		
2	EY851	AA60-40011A	K EYELET;ID2.0,OD2.8,BST		2	C708	2401-000471	C-AL;10uF,20%,50V,GP,TP,5x11.5mm		
2	EY852	AA60-40011A	K EYELET;ID2.0,OD2.8,BST		2	Q703	0504-000123	TR-DIGITAL;KSR1010,NPN,300mW,10K,TO-92,T		
2	EY853	AA60-40011A	K EYELET;ID2.0,OD2.8,BST		2	R710	2001-000004	R-CARBON;200KOHM,5%,1/8W,AA,TP,1.8X3.2M		
2	EY860	AA60-40011A	K EYELET;ID2.0,OD2.8,BST		2	C606	2301-000289	C-FILM,PEF;5.6nF,5%,50V,TP,7x6x3.5		
2	EY861	AA60-40011A	K EYELET;ID2.0,OD2.8,BST		2	C610	2301-000289	C-FILM,PEF;5.6nF,5%,50V,TP,7x6x3.5		
2	EL301	AA60-40011B	K EYELET;ID2.2,OD3.2,BSP		2	R601	2001-000878	R-CARBON;6.2KOHM,5%,1/8W,AA,TP,1.8X3.2M		
2	EL302	AA60-40011B	K EYELET;ID2.2,OD3.2,BSP		2	R607	2001-000878	R-CARBON;6.2KOHM,5%,1/8W,AA,TP,1.8X3.2M		
2	EL403	AA60-40011B	K EYELET;ID2.2,OD3.2,BSP		2	R814	2003-002228	R-METAL OXIDE(S);0.47ohm,5%,2W,AG,TP,3.9		
2	EL404	AA60-40011B	K EYELET;ID2.2,OD3.2,BSP		2	R815	2003-002228	R-METAL OXIDE(S);0.47ohm,5%,2W,AG,TP,3.9		
2	EL407	AA60-40011B	K EYELET;ID2.2,OD3.2,BSP		△	2	NT802S	1404-001045	THERMISTOR-NTC;4.7ohm,15%,2900K,35.0mW,T	
2	EL408	AA60-40011B	K EYELET;ID2.2,OD3.2,BSP		△	2	P803S	1404-001156	THERMISTOR-PTC;90HM,+30%/-20%,220VRMS,27	
2	EL501	AA60-40011B	K EYELET;ID2.2,OD3.2,BSP		△	2	CX801S	2306-000318	C-FILM,MPPF;220nF,20%,250V,TP,-22.5mm	
2	EL502	AA60-40011A	K EYELET;ID2.2,OD3.2,BSP		△	2	SF101S	2904-001063	FILTER-SAW AV;38.9MHz,SIP5K,TP,18.5dB,B/	
2	EL601	AA60-40011B	K EYELET;ID2.2,OD3.2,BSP		△	2	T401	AA26-50001B	TRANS-HORIZ.DRIVE;---,7.1mH,---,102uH,	
2	EL602	AA60-40011B	K EYELET;ID2.2,OD3.2,BSP		△	2	LX801S	AA29-30001D	FILTER LINE NOISE;SQ1913,-6.0MH,0.8A,-	
2	EL603	AA60-40011B	K EYELET;ID2.2,OD3.2,BSP		△	2	TU01S	AA40-00077A	TUNER;TECC0949PL35A(S),PAL,181CH,38.	
2	EL604	AA60-40011B	K EYELET;ID2.2,OD3.2,BSP		2	LD901	AA96-00555A	ASSY LED GUIDE;---,UJEX-LD-030,GREEN		
2	EL801	AA60-40011B	K EYELET;ID2.2,OD3.2,BSP		2	IC501	AA96-00842A	ASSY H/S;VIDEO,AA62-30175D,TDA6107Q		
2	EL802	AA60-40011B	K EYELET;ID2.2,OD3.2,BSP		3	IC501	1201-001541	IC-VIDEO AMP;6107,ZSIP,9P,-,SINGLE,-,PLA		
2	EL804	AA60-40011B	K EYELET;ID2.2,OD3.2,BSP		3	SCR501	6003-000334	SCREW-TAPTITE;RH,+2S,M3,L6,ZPC(YEL),SWR		
2	GT101	AA60-40014A	PIN-GT,ASSY,AUTO		3	H/S501	AA62-30175D	HEAT SINK-PS;---,SECC,T1.0,-,33X15X30 FT-2		
2	GT502	AA60-40014A	PIN-GT,ASSY,AUTO		2	V999S	3704-001105	SOCKET-CRT;11P20PI,26.5PI,NL,-		
2	GT802	AA60-40014A	PIN-GT,ASSY,AUTO		2	RM901	AA32-00015A	MODULE REMOCON;FRP-3521H31,38KHZ,940MM,M		
2	GT803	AA60-40014A	PIN-GT,ASSY,AUTO		△	2	IC801S	AA96-00845A	ASSY H/S;POWER,AA62-30186B,KA500765R	
2	GT804	AA60-40014A	PIN-GT,ASSY,AUTO		△	3	IC801	1203-001932	IC-PWM CONTROLLER;SQ0765,TO-220F,5P,185M	
2	GT805	AA60-40014A	PIN-GT,ASSY,AUTO		3	SCR801	6003-000333	SCREW-TAPTITE;RH,+2S,M3,L10,ZPC(YEL),SW		
2	GT806	AA60-40014A	PIN-GT,ASSY,AUTO		3	H/S801	AA62-30186B	HEAT SINK-ES;---,SILVER,171J + COVER-H		
2	GT501	AA60-40014A	PIN-GT,ASSY,AUTO		3		HA68-02189A	LABEL-WARNING;33MM,18MM,WHITE		
2	GT807	AA60-40014A	PIN-GT,ASSY,AUTO		3		0205-000129	GREASE-SILICON;SC102,JAPAN		
2	R424	2004-001402	R-METAL(S);6.8Kohm,1%,1/2W,AA,TP,2.4x6.4		△	2	IC802	AA96-00846A	ASSY H/S;POWER,AA62-00055A,KA7632	
2	R423	2004-001373	R-METAL(S);100Kohm,1%,1/2W,AA,TP,2.4x6.4		△	3	IC802	1203-001939	IC-POS.FIXED REG.;7632,SIP,10P,-,PLASTI	
△	FD801S	3601-001163	FUSE-AXIAL LEAD;125V,7A,-,EPOXY,2.4X7.1M		3	H/S802	AA62-00055A	HEAT SINK-PS;---,T1.0,-,35*15*25,D1,-,		
△	D303	0402-000132	DIODE-RECTIFIER;1N4004,400V,1A,DO-41,TP		3	SCR802	6003-000334	SCREW-TAPTITE;RH,+2S,M3,L6,ZPC(YEL),SWR		
△	D809	0402-000132	DIODE-RECTIFIER;1N4004,400V,1A,DO-41,TP		2	IC902	1103-001106	IC-EEPROM;C812C,1028x8Bit,DIP,8P,300MIL,		
2	C115	2202-000632	C-CERAMIC,MLC-AXIAL;100nF,20%,50V,Z5U,TP		△	2	SW801S	3403-001107	SWITCH-PUSH;250V,5A,DPST,-,KDC-A04	
2	C211	2202-000632	C-CERAMIC,MLC-AXIAL;100nF,20%,50V,Z5U,TP		2	Q401	0502-001160	TR-POWER;25D2499,NPN,50000mW,TO-3P,BK,8		
2	C911	2202-000632	C-CERAMIC,MLC-AXIAL;100nF,20%,50V,Z5U,TP		2	JS701	3722-000497	JACK-PIN;4P,3.4mm,SN,BLK,-		
2	C822	2401-000711	C-AL;220uF,20%,25V,GP,TP,16x25.7.5		2	TOP	AA39-20010D	LEAD CONNECTOR-ASSY;1P,YFH800-01,S,400,		
2	C806	2301-001435	C-FILM,PPF;1.5nF,5%,1.2kV,TP,15x8x12.5mm		2	CN501	AA39-20620C	LEAD CONNECTOR-ASSY;9P,YBNH250-09,S,500		
2	C207	2305-000412	C-FILM,MPEF;470nF,5%,63V,TP,-,5mm		2	IC301	AA96-00847A	ASSY H/S;AA62-00046A,LA7840		
2	C901	2305-000412	C-FILM,MPEF;470nF,5%,63V,TP,-,5mm		3		1204-001483	IC-VERTICAL PROCESSOR;LA7840,SIP,7P,708MI		
2	C612	2401-000480	C-AL;10uF,20%,50V,GP,TP,5x11.5		3		AA62-00064A	HEAT SINK-PS;DP;---,AA62-00046A,---		
2	C820	2401-000480	C-AL;10uF,20%,50V,GP,TP,5x11.5		3		6003-000334	SCREW-TAPTITE;RH,+2S,M3,L6,ZPC(YEL),SWR		
2	C604	2401-000480	C-AL;10uF,20%,50V,GP,TP,5x11.5		3		0205-000129	GREASE-SILICON;SC102,JAPAN		
2	R505	2008-001011	R-FUSIBLE(S);0.18ohm,10%,2W,AF,TP,3.9x10		2	C801	2401-002221	C-AL;220uF,20%,450V,GP,TP,25x40,10		
2	PCB	AA41-001316	PCB-MAIN;CS2139,FR-1.1L,G.1.6T,245X245,K		△	2	CR402S	2306-000195	C-FILM,MPPF;360nF,5%,400V,TP,26x19x11.5,	
2	C702	2202-000210	C-CERAMIC,MLC-AXIAL;270pf,10%,50V,Y5P,TP		△	2	T444S	AA26-00116A	TRANS FBT;FSV-14A004(H),CT15A8,3.24MH,1	
△	FP801S	3601-000281	FUSE-CARTRIDGE;250V,4A,TIME-LAG,GLASS,5.		2	SUB	AA98-00079A	ASSY SUB PART;K51A,MAIN(OPT),PAL,-		
△	C403	2401-000560	C-AL;1uF,20%,160V,GP,TP,6.3x11.5		3		0202-000008	SOLDER-WIRE;S63S-W3.0,S63S,D3,63Sn/37Pb,		
△	CR409S	2201-002041	C-CERAMIC,DISC;0.82nF,10%,2kV,Y5P,TP,9x5		3		0202-000187	SOLDER-WIRE FLUX;-R3.0,S63S,D1,2.63Sn/37Pb		
2	R302	2004-001369	R-METAL(S);1.2Kohm,1%,1/2W,AA,TP,2.4x6.4		3		0204-000442	SOLVENT;1M-1000,C3H7OH,96,-		
2	Z203	2903-000181	FILTER-CERAMIC;BR,5.5MHz,---,TP,TPS5.5		3		0204-001024	FLUX;DF-98TVS,-,20%,-		
2	R306	2004-004969	R-METAL(S);1.1Kohm,1%,1/2W,AA,TP,2.4x6.4		△	2	LR401S	AA27-30001B	COIL LINEARITY;-.195uH,QIC1010,PIO,4.4.5	
2	D804	0401-000006	DIODE-SWITCHING;BAV21,250V,250mA,DO-35,T		△	2	CR410S	2303-001015	C-FILM,PPF;5.5nF,5%,1.6kV,TP,29x9.5x17.2	
2	D805	0402-001470	DIODE-RECTIFIER;RUZBV1,800V,1A,DO-204AC,		2	LW01	AA27-40001N	COIL HORIZ. WIDTH;-90/260uH,SB-5S620,PI		
2	R808	2001-001138	R-CARBON(S);390OHM,5%,1/2W,AA,TP,2.4X6.4		2	CN703	3711-000628	CONNECTOR-HEADER;-11P,1R,2.5mm,STRAIGHT		
2	R831	2001-001088	R-CARBON(S);1KOHM,5%,1/2W,AA,TP,2.4X6.4M		2	CN602	3711-002643	CONNECTOR-HEADER;BOX,4P,1R,2.5mm,STRAIGHT		
2	R405	2001-001116	R-CARBON(S);270HM,5%,1/2W,AA,TP,2.4X6.4M		△	2	CY801S	2201-000446	C-CERAMIC,DISC;3.3nF,20%,400V,Y5U,TP,15x	
2	C203	2401-002462	C-AL;33uF,20%,16V,GP,TP,5x11.5		△	2	IC201S	AA09-00287A	MICOM;TDA9351/N2/3I,SPM-802EE2,64P3.	
2	R811	2003-002239	R-METAL OXIDE(S);100KOHM,5%,2W,AF,TP,3.9		△	2	R801S	AA26-00134A	TRANS SWITCHING;-CS21S5T,160V-260V,PM2 P	
2	R812	2003-002239	R-METAL OXIDE(S);100KOHM,5%,2W,AF,TP,3.9		2	CN401	AA60-40012D	PIN-GT,ASSY;T1.6,6-12.5,-,NYLON66		
2	C818	2401-003028	C-AL;100uF,20%,25V,WT,TP,6.3x11.5		△	2	D806	AA96-00922A	ASSY H/S;BRIDGE,AA62-00065A,D06U20S,KS	
2	C821	2401-003028	C-AL;100uF,20%,25V,WT,TP,6.3x11.5		3		0205-000129	GREASE-SILICON;SC102,JAPAN		
2	L804	2701-001030	INDUCTOR-AXIAL;43uH,10%,5x14mm		3		0402-001374	DIODE-RECTIFIER;FPF06U20S,200V,6A,TO-22		
2	L807	2701-001030	INDUCTOR-AXIAL;43uH,10%,5x14mm		3		6003-000334	SCREW-TAPTITE;RH,+2S,M3,L6,ZPC(YEL),SWR		
2	R923	2001-000273	R-CARBON;100KOHM,5%,1/8W,AA,TP,1.8X3.2M		3		AA62-00065A	HEAT SINK-PS;DP;---,AA62-00045A,---		
2	R801	2003-002171	R-METAL OXIDE(S);150ohm,5%,2W,AG,TP,3.9x		2	IC601	AA96-00923A	ASSY H/S;AUDIO,AA62-00064A,TDA8944,BRK		
2	R840	2001-001122	R-CARBON(S);3.9KOHM,5%,1/2W,AA,TP,2.4X6.		3		0205-000129	GREASE-SILICON;SC102,JAPAN		
2		0203-001123	TAPE-PAPER;#53131,TO.15,W6.0,200000,YEL		3		1201-001741	IC-AUDIO AMP;TDA8944J,DBS,17P;937MIL,DUA		
2	C102	2202-000279	C-CERAMIC,MLC-AXIAL;47pF,5%,50V,SL,TP,3.		3		6003-000334	SCREW-TAPTITE;RH,+2S,M3,L6,ZPC(YEL),SWR		
2	DZ401	0403-001319	DIODE-ZENER;MTZJ4.7C,4.68-4.93V,500mW,DO		3		AA61-10162B	BRACKET-I.C;-SBHG-1,T1.0,-,---,100		
2	DZ906	0403-001319	DIODE-ZENER;MTZJ4.7C,4.68-4.93V,500mW,DO		3		AA62-00064A	HEAT SINK-PS;DP;---,AA62-00046A,---		
2	DZ907	0403-001319	DIODE-ZENER;MTZJ4.7C,4.68-4.93V,500mW,DO							

Level	Loc. No.	Code No.	Description ; Specification	Remark
-------	----------	----------	-----------------------------	--------

**ASSY CRT**

1		AA94-05856A	ASSY CRT;A48ECR43X,+400MG,20,90DEG	
△ 2		AA03-00280A	CRT COLOR;A48ECR43X,+380MG,1.85MH,28.7MH	
2		AA27-20003Y	COIL DEGAUSSING;-;20,15,2ohm,28T,L2170,E	
2		AA63-10002A	BAND-TIE;NYLON66 V2,L100,NTR	
2		AA98-70031A	ASSY TBC WIRE(P);DP,20,AA98-70014B,1P;TV	
2		AA65-30107A	CLAMPER CORE-D,COIL;20-22 INCH,NYLON 66,	

**ASSY ETC-A/V SIDE**

1		AA95-03104A	ASSY ETC-A/V SIDE;21D8,KS1A	
2	RE01	2001-001153	R-CARBON(S);470HM,5%,1/2W,AA,TP,2.4X6.4M	
2	RE02A	2001-001153	R-CARBON(S);470HM,5%,1/2W,AA,TP,2.4X6.4M	
2	CE04	2202-000121	C-CERAMIC,MLC-AXIAL;100pF,10%,50V,Y5P,TP	
2	CE07	2202-000222	C-CERAMIC,MLC-AXIAL;3.3nF,20%,16V,Y5P,TP	
2	CE01	2401-001840	C-AL;100uF,20%,16V,GP,TP;6.3x11.5	
2	LE04	2701-000114	INDUCTOR-AXIAL;10uH,10%,2.5x3.4mm	
2	LE01	2701-000158	INDUCTOR-AXIAL;22uH,10%,2.5x3.4mm	
2	JE01	3812-000219	WIRE-NO SHEATH CU;TCVVA,300V,52mm(TAPING)	
2	PCB	AA41-00567A	PCB-SIDE AV;CS21D8,FR-1,1L,A,1.6T,245X24	
2	JE601	3722-000143	JACK-PHONE;1P(VER);3.4PI,AG,BLK,NO	
2	JR01	3722-001282	JACK-PIN;2P(3P);3.2mm,AU,BLK,-	
2	CN702	AA39-20461C	LEAD CONNECTOR-ASSY;11PYBNH250-11,6709	
2		0202-000008	SOLDER-WIRE;S63S-W3.0,S63S,D3,63Sn/37Pb,	
2		0202-000187	SOLDER-WIRE FLUX;-;RS60S,D1.2,63Sn/37Pb	
2		0204-000442	SOLVENT;1M-1000,C3H7OH,96,-	
2		0204-001024	FLUX;DF-98TVS,-;20%,-	

**ASSY COVER FRONT**

1		AA90-04276A	ASSY COVER FRONT;20H4	
2		AA96-01168A	ASSY COVER P-C/FRONT;20H4,HIPS HB	
3	KC+CF	6003-001019	SCREW-TAPTITE;RH,+;B,M4,L12,ZPC(BLK),SWR	
3	SPK +C	6003-001019	SCREW-TAPTITE;RH,+;B,M4,L12,ZPC(BLK),SWR	
3	WR+CF	6003-001019	SCREW-TAPTITE;RH,+;B,M4,L12,ZPC(BLK),SWR	
3		AA61-60003J	SPRING ETC-CS;-;SUS304,-;-.0D6,N7,0D6,-	
3		AA64-03235A	KNOB-CONTROL;20H4,ABS,HB	
4		HA83-00011A	LP-RESIN;M BATCH,WILSON 6007-GY-60,GRY	
4		HA83-00006A	LP-RESIN HIPS;BAS495F,NTR,HB	
3		AA64-70010B	BADGE-BRAND;-;AL,-;L50,-;SILVER,SS R20	
3		AA65-30105A	CLAMPER CORE-WIRE;ALL MODEL,NYLON 66,V2,	
3		AA64-03233A	KNOB-POWER;20H4,ABS,HB,NO-SILK	
4		HA83-00006A	LP-RESIN HIPS;BAS495F,NTR,HB	
4		HA83-00011A	LP-RESIN;M BATCH,WILSON 6007-GY-60,GRY	
3		AA64-03231A	CABINET-FRONT;20H4,HIPS,HB	
4		HA83-00006A	LP-RESIN HIPS;BAS495F,NTR,HB	
4		HA83-00011A	LP-RESIN;M BATCH,WILSON 6007-GY-60,GRY	
3		HA83-00049A	LP-ADHESIVE-HM;12MM,NTR	
3		AA39-20505M	LEAD CONNECTOR-ASSY;4PYSH025-04,REC,35	
3		AA64-03237A	WINDOW-RMC,LED;20H4,ACRYL,CLR	
4		HA83-00009A	LP-RESIN PC,LEXAN 121R,VIOLET	
3		3001-000274	SPEAKER;5W,8OHM,90DB,160HZ	
3		HA61-00721B	HOLDER-RAIL;21F5,HIPS,HB,GRY	
4		HA83-00006A	LP-RESIN HIPS;BAS495F,NTR,HB	
4		HA83-00011A	LP-RESIN;M BATCH,WILSON 6007-GY-60,GRY	
3		AA61-40113A	STOPPER-PCB;501H,HIPS,-;HB,NTR,-	
3		AA64-01309K	INLAY AV;PS SHEET,21D8,T0.3,-;-.S15A M	
3		0203-001290	TAPE-OPP MASKING;ANT 100C,TO.073,W30,L50	
2	crt	AA60-10050Q	SCREW-ASSY;-;SWRCH18A,M5,L26.5,HH,+;WC,-	
2	CR+AV	6003-001024	SCREW-TAPTITE;RVH,+;B,M4,L12,ZPC(YEL),SW	
2	QMS	HA83-00052A	LP-TAPE-INK;WIDTH 55 MM	
2	RATING	HA83-00052A	LP-TAPE-INK;WIDTH 55 MM	
2		HA68-02177B	LABEL-PQS;ALL,30MM,65MM,WHITE,AA68-02177	
2		AA65-30018A	CLAMPER CORE-WIRE;DONG-A,NYLON-66,-;-,	
2		HA68-02179A	LABEL-RATING;58MM,53MM,WHITE	

Level	Loc. No.	Code No.	Description ; Specification	Remark
-------	----------	----------	-----------------------------	--------

**ASSY COVER REAR**

1		AA90-04278B	ASSY COVER REAR;20H4,CS-BWT	
2	CB+CF	6002-000515	SCREW-TAPPING;RH,+;2,M4,L15,ZPC(WHT),SWR	
2	CB+RCA	6002-000515	SCREW-TAPPING;RH,+;2,M4,L15,ZPC(WHT),SWR	
2		AA64-02904A	CABINET BACK;20H4(SEH),HIPS,HB	
3		HA83-00013A	LP-RESIN HIPS;-;NTR,HB,DOW A-TECH,IEC65	
3		HA83-00011A	LP-RESIN;-;M BATCH,WILSON 6007-GY-60,GRY	
2		AA65-30008A	CLAMPER CORE-CORD;-;PE,HB,-;BLK,-	
2		AA65-30009A	CLAMPER CORE-FBT;-;ABS,VO,-;BLK,-	
2		AA65-30018A	CLAMPER CORE-WIRE;DONG-A,NYLON-66,-;-,	
2		AA65-30110A	CLAMPER CORE-WIRE;ALL MODEL,NYLON 66,V2,	

**ASSY ACCESSORY**

1		AA92-07105A	ASSY ACCESSORY;20H4,21H4,KS1A	
2		4301-000120	BATTERY-MN;1.5V,-;AA,14.5x50mm,-	
2		HA83-00047A	LP-TAPEACETATE;T0.1MM,W20MM,L200MM	
2		HA69-00276A	BAG VINYL;HDPE,TO.025,L400,WV240,-;VV/O LO	
2		HA68-00816B	CARD WARRANTY;RUSSINA,2,W/P 120G,BOTH FA	
2		AA26-90001C	TRANS MATCHING;-;300ohm/75ohm,PAL,40-890	
2		AA42-00003A	ANT ROD;-;3S,720mm,ABS,UL/CSA,-	
2		HA68-02176A	LABEL;LABEL	
2		AA68-01120A	MANUAL SERVICE;-;CIS,A4,6PAGE(FOLD),W/	
2		AA68-02643A	MANUAL USERS;-;BWT,EST,A/P 100(G),145,205	
2		AA68-02644A	MANUAL USERS;-;BWT,LATVA/P 100(G),145,20	
2		AA68-02645A	MANUAL USERS;-;BWT,LITH,A/P 100(G),145,20	

**ASSY BOX**

1		AA92-07106A	ASSY BOX;20H4	
2		AA69-01735C	PACKING CASE;20H4,D-1,A1,YEL,SEH(LOCAL)	
2		HA68-02178A	LABEL-BOX;250MM,89MM,WHITE	
2		HA83-00046A	LP-TAPE INK;-;WIDTH 105 MM	
1		AA92-07108A	ASSY P/MATERIAL;20H4,BWT	
2		AA60-40006A	PIN-STAPLE;AUTO,33X17.8X2.4,H18,33X17.8X	
2		AA69-01684A	CUSHION SET;20H4,PS FOAMED,C=0.02	
2		AA69-00744C	BAG-SHEET;-;HDPE PE FOAM,TO.015,W1050,H9	

**ASSY POWER CORD**

△ 1		AA96-01126A	ASSY POWER CORD;DP,AA39-10001G,CP2,H/C25	
2		AA39-10001G	CBF POWER CORD;-;KKP-419C,KLCE-2F2.286m	
2		AA61-20284A	HOLDER;P-CORD,PP,-;BLK,VO,KE-002	

**ASSY LABEL**

1		AA92-07110A	ASSY LABEL;20H4,KS1A	
2		AA68-00526A	LABEL-RATING;ART PAPER(90),ALL MODEL,LAM	
2		HA83-00052A	LP-TAPE-INK;-;WIDTH 55 MM	
2		HA83-00046A	LP-TAPE INK;-;WIDTH 105 MM	
2		AA68-01376C	LABEL-CRT;CIS,ALL,HOLLOGRAM,AUTO-VOLTAGE,	

**REMOCON**

1		AA59-00104N	REMOCON;-;TM59,SIM806E,29,L/GRAY,TTX/MO	
---	--	-------------	---	--

## 7-8 CS20H4ZSXBWT

Level	Loc. No.	Code No.	Description ; Specification	Remark	Level	Loc. No.	Code No.	Description ; Specification	Remark
<b>ASSY PCB MAIN(OPT)</b>									
1		AA94-12214A	ASSY PCB MAIN(OPT);CS20H4Z,KS1A,BWT,ORIO		2	R619	2001-000019	R-CARBON(S);100HM,5%,1/2W,AA,TP2.4X6.4M	
2		HA68-02176A	LABEL;LABEL		2	R409	2001-000022	R-CARBON(S);330HM,5%,1/2W,AA,TP2.4X6.4M	
2	D201	0401-000005	DIODE-SWITCHING;1N4148,100V,200mA,DO-35,		2	R823	2001-000037	R-CARBON(S);330OHM,5%,1/2W,AA,TP2.4X6.4	
△	D811	0401-000005	DIODE-SWITCHING;1N4148,100V,200mA,DO-35,		2	R902	2001-000241	R-CARBON;1.5KOHM,5%,1/8W,AA,TP1.8X3.2M	
△	D801S	0402-001111	DIODE-RECTIFIER;1N5397GP600V,1.5A,DO-20		2	R904	2001-000241	R-CARBON;1.5KOHM,5%,1/8W,AA,TP1.8X3.2M	
△	D802S	0402-001111	DIODE-RECTIFIER;1N5397GP600V,1.5A,DO-20		2	R211	2001-000281	R-CARBON;100OHM,5%,1/8W,AA,TP1.8X3.2MM	
△	D803S	0402-001111	DIODE-RECTIFIER;1N5397GP600V,1.5A,DO-20		2	R215	2001-000281	R-CARBON;100OHM,5%,1/8W,AA,TP1.8X3.2MM	
△	D804S	0402-001111	DIODE-RECTIFIER;1N5397GP600V,1.5A,DO-20		2	R223	2001-000281	R-CARBON;100OHM,5%,1/8W,AA,TP1.8X3.2MM	
△	D501	0402-000254	DIODE-RECTIFIER;RGP10J,600V,1A,DO-41,TP		2	R501	2001-000281	R-CARBON;100OHM,5%,1/8W,AA,TP1.8X3.2MM	
△	D803	0402-000254	DIODE-RECTIFIER;RGP10J,600V,1A,DO-41,TP		2	R502	2001-000281	R-CARBON;100OHM,5%,1/8W,AA,TP1.8X3.2MM	
2	D301	0402-001105	DIODE-RECTIFIER;ERB43-04SV1,400V,1.0A,-,		2	R506	2001-000281	R-CARBON;100OHM,5%,1/8W,AA,TP1.8X3.2MM	
2	D304	0402-001105	DIODE-RECTIFIER;ERB43-04SV1,400V,1.0A,-,		2	R510	2001-000281	R-CARBON;100OHM,5%,1/8W,AA,TP1.8X3.2MM	
△	D401	0402-001105	DIODE-RECTIFIER;ERB43-04SV1,400V,1.0A,-,		2	R511	2001-000281	R-CARBON;100OHM,5%,1/8W,AA,TP1.8X3.2MM	
2	D502	0402-001105	DIODE-RECTIFIER;ERB43-04SV1,400V,1.0A,-,		2	R512	2001-000281	R-CARBON;100OHM,5%,1/8W,AA,TP1.8X3.2MM	
2	D503	0402-001105	DIODE-RECTIFIER;ERB43-04SV1,400V,1.0A,-,		2	R909	2001-000281	R-CARBON;100OHM,5%,1/8W,AA,TP1.8X3.2MM	
2	D504	0402-001105	DIODE-RECTIFIER;ERB43-04SV1,400V,1.0A,-,		2	R911	2001-000281	R-CARBON;100OHM,5%,1/8W,AA,TP1.8X3.2MM	
△	D812	0402-001105	DIODE-RECTIFIER;ERB43-04SV1,400V,1.0A,-,		2	R912	2001-000281	R-CARBON;100OHM,5%,1/8W,AA,TP1.8X3.2MM	
2	D302	0402-001352	DIODE-RECTIFIER;GUF15G-20A,400V,1.5A,DO-		2	R913	2001-000281	R-CARBON;100OHM,5%,1/8W,AA,TP1.8X3.2MM	
2	DZ402	0403-000508	DIODE-ZENER;MTZJ5.6B,5.6V,5.45-5.73V,500		2	R914	2001-000281	R-CARBON;100OHM,5%,1/8W,AA,TP1.8X3.2MM	
2	DZ807	0403-000508	DIODE-ZENER;MTZJ5.6B,5.6V,5.45-5.73V,500		2	J137	2001-000281	R-CARBON;100OHM,5%,1/8W,AA,TP1.8X3.2MM	
2	DZ810	0403-000508	DIODE-ZENER;MTZJ5.6B,5.6V,5.45-5.73V,500		2	R213	2001-000281	R-CARBON;100OHM,5%,1/8W,AA,TP1.8X3.2MM	
2	DZ903	0403-000508	DIODE-ZENER;MTZJ5.6B,5.6V,5.45-5.73V,500		2	R933	2001-000281	R-CARBON;100OHM,5%,1/8W,AA,TP1.8X3.2MM	
2	DZ904	0403-000508	DIODE-ZENER;MTZJ5.6B,5.6V,5.45-5.73V,500		2	R934	2001-000281	R-CARBON;100OHM,5%,1/8W,AA,TP1.8X3.2MM	
2	DZ905	0403-000508	DIODE-ZENER;MTZJ5.6B,5.6V,5.45-5.73V,500		2	R708	2001-000281	R-CARBON;100OHM,5%,1/8W,AA,TP1.8X3.2MM	
2	DZ901	0403-000508	DIODE-ZENER;MTZJ5.6B,5.6V,5.45-5.73V,500		2	R938	2001-000281	R-CARBON;100OHM,5%,1/8W,AA,TP1.8X3.2MM	
2	DZ101	0403-000700	DIODE-ZENER;TZP33A,33V,31-35V,1W,DO-41,T		2	R224	2001-000290	R-CARBON;10KOHM,5%,1/8W,AA,TP1.8X3.2MM	
2	DZ303	0403-000700	DIODE-ZENER;TZP33A,33V,31-35V,1W,DO-41,T		2	R828	2001-000290	R-CARBON;10KOHM,5%,1/8W,AA,TP1.8X3.2MM	
2	DZ803	0403-000700	DIODE-ZENER;TZP33A,33V,31-35V,1W,DO-41,T		2	R910	2001-000290	R-CARBON;10KOHM,5%,1/8W,AA,TP1.8X3.2MM	
2	DZ201	0403-000720	DIODE-ZENER;MTZJ9.1B,9.1V,8.57-9.01V,500		2	R920	2001-000290	R-CARBON;10KOHM,5%,1/8W,AA,TP1.8X3.2MM	
2	DZ204	0403-000720	DIODE-ZENER;MTZJ9.1B,9.1V,8.57-9.01V,500		2	R922	2001-000290	R-CARBON;10KOHM,5%,1/8W,AA,TP1.8X3.2MM	
2	DZ205	0403-000720	DIODE-ZENER;MTZJ9.1B,9.1V,8.57-9.01V,500		2	R921	2001-000290	R-CARBON;10KOHM,5%,1/8W,AA,TP1.8X3.2MM	
2	DZ207	0403-000720	DIODE-ZENER;MTZJ9.1B,9.1V,8.57-9.01V,500		2	R919	2001-000290	R-CARBON;10KOHM,5%,1/8W,AA,TP1.8X3.2MM	
2	DZ501	0403-000720	DIODE-ZENER;MTZJ9.1B,9.1V,8.57-9.01V,500		2	R230	2001-000290	R-CARBON;10KOHM,5%,1/8W,AA,TP1.8X3.2MM	
2	DZ502	0403-000720	DIODE-ZENER;MTZJ9.1B,9.1V,8.57-9.01V,500		2	R225	2001-001035	R-CARBON;91OHM,5%,1/8W,AA,TP1.8X3.2MM	
2	DZ503	0403-000720	DIODE-ZENER;MTZJ9.1B,9.1V,8.57-9.01V,500		2	R918	2001-000429	R-CARBON;1KOHM,5%,1/8W,AA,TP1.8X3.2MM	
2	DZ504	0403-000720	DIODE-ZENER;MTZJ9.1B,9.1V,8.57-9.01V,500		2	R926	2001-000429	R-CARBON;1KOHM,5%,1/8W,AA,TP1.8X3.2MM	
2	DZ704	0403-000720	DIODE-ZENER;MTZJ9.1B,9.1V,8.57-9.01V,500		2	R210	2001-000429	R-CARBON;1KOHM,5%,1/8W,AA,TP1.8X3.2MM	
2	DZ808	0403-000720	DIODE-ZENER;MTZJ9.1B,9.1V,8.57-9.01V,500		2	R717	2001-000429	R-CARBON;1KOHM,5%,1/8W,AA,TP1.8X3.2MM	
2	DZ306	0403-000720	DIODE-ZENER;MTZJ9.1B,9.1V,8.57-9.01V,500		2	R916	2001-000449	R-CARBON;2.2KOHM,5%,1/8W,AA,TP1.8X3.2M	
2	DZ307	0403-000720	DIODE-ZENER;MTZJ9.1B,9.1V,8.57-9.01V,500		2	R917	2001-000449	R-CARBON;2.2KOHM,5%,1/8W,AA,TP1.8X3.2M	
2	DZ801	0403-001140	DIODE-ZENER;RD10ESAB-T4,10V,9.19-10.30V,		2	R917	2001-000449	R-CARBON;2.2KOHM,5%,1/8W,AA,TP1.8X3.2M	
2	DZ302	0403-001221	DIODE-ZENER;UZ39BSB,35.36-37.19V,500mW,D		2	R220	2001-000472	R-CARBON;2.7KOHM,5%,1/8W,AA,TP1.8X3.2M	
2	DZ806	0403-001317	DIODE-ZENER;MTZJ3.0B,3.01-3.22V,500mW,DO		2	R901	2001-000472	R-CARBON;2.7KOHM,5%,1/8W,AA,TP1.8X3.2M	
2	DZ802	0403-001318	DIODE-ZENER;MTZJ4.3B,4.17-4.43V,500mW,DO		2	R903	2001-000472	R-CARBON;2.7KOHM,5%,1/8W,AA,TP1.8X3.2M	
2	DZ203	0403-001322	DIODE-ZENER;MTZJ8.2B,7.78-8.19V,500mW,DO		2	R907	2001-000472	R-CARBON;2.7KOHM,5%,1/8W,AA,TP1.8X3.2M	
2	DZ805	0403-001327	DIODE-ZENER;MTZJ18A,16.22-17.06V,500mW,DO		2	R908	2001-000472	R-CARBON;2.7KOHM,5%,1/8W,AA,TP1.8X3.2M	
2	DZ301	0403-001328	DIODE-ZENER;MTZJ22A,20.15-21.20V,500mW,D		2	R214	2001-000490	R-CARBON;200OHM,5%,1/8W,AA,TP1.8X3.2MM	
2	DZ305	0403-001328	DIODE-ZENER;MTZJ22A,20.15-21.20V,500mW,D		2	R206	2001-000563	R-CARBON;27KOHM,5%,1/8W,AA,TP1.8X3.2MM	
2	Q201	0501-000283	TR-SMALL SIGNAL;KSA539,PNP,400mW,TO-92,T		2	R829	2001-000563	R-CARBON;27KOHM,5%,1/8W,AA,TP1.8X3.2MM	
2	Q901	0501-000283	TR-SMALL SIGNAL;KSA539,PNP,400mW,TO-92,T		2	R929	2001-000563	R-CARBON;27KOHM,5%,1/8W,AA,TP1.8X3.2MM	
2	Q206	0501-000283	TR-SMALL SIGNAL;KSA539,PNP,400mW,TO-92,T		2	R208	2001-000591	R-CARBON;3.3KOHM,5%,1/8W,AA,TP1.8X3.2M	
2	Q402	0501-000369	TR-SMALL SIGNAL;KSC2331-Y,NPN,1000mW,TO-		2	R602	2001-000591	R-CARBON;3.3KOHM,5%,1/8W,AA,TP1.8X3.2M	
2	Q202	0501-000389	TR-SMALL SIGNAL;KSC815,NPN,400mW,TO-92,T		2	R605	2001-000591	R-CARBON;3.3KOHM,5%,1/8W,AA,TP1.8X3.2M	
2	Q205	0501-000389	TR-SMALL SIGNAL;KSC815,NPN,400mW,TO-92,T		2	R202	2001-000689	R-CARBON;390KOHM,5%,1/8W,AA,TP1.8X3.2M	
2	Q701	0501-000389	TR-SMALL SIGNAL;KSC815,NPN,400mW,TO-92,T		2	R925	2001-000734	R-CARBON;4.7KOHM,5%,1/8W,AA,TP1.8X3.2M	
2	Q903	0501-000389	TR-SMALL SIGNAL;KSC815,NPN,400mW,TO-92,T		2	R841	2001-000734	R-CARBON;4.7KOHM,5%,1/8W,AA,TP1.8X3.2M	
2	Q905	0501-000389	TR-SMALL SIGNAL;KSC815,NPN,400mW,TO-92,T		2	R721	2001-000734	R-CARBON;4.7KOHM,5%,1/8W,AA,TP1.8X3.2M	
2	Q702	0501-000389	TR-SMALL SIGNAL;KSC815,NPN,400mW,TO-92,T		2	R227	2001-000739	R-CARBON;4.7MOHM,5%,1/8W,AA,TP1.8X3.2M	
△	VX801S	1405-000187	VARIABLE;750V,1250A,12.5x7mm,TP		2	R228	2001-000739	R-CARBON;4.7MOHM,5%,1/8W,AA,TP1.8X3.2M	
2	R207	2001-000005	R-CARBON;390ohm,5%,1/8W,AA,TP1.8X3.2mm		2	R109	2001-000786	R-CARBON;47KOHM,5%,1/8W,AA,TP1.8X3.2MM	
2	R905	2001-000005	R-CARBON;390ohm,5%,1/8W,AA,TP1.8X3.2mm		2	R704	2001-000786	R-CARBON;47KOHM,5%,1/8W,AA,TP1.8X3.2MM	
2	R906	2001-000005	R-CARBON;390ohm,5%,1/8W,AA,TP1.8X3.2mm		2	R209	2001-000793	R-CARBON;47OHM,5%,1/8W,AA,TP1.8X3.2MM	
2	R218	2001-000008	R-CARBON;15KOHM,5%,1/8W,AA,TP1.8X3.2MM		2	R927	2001-000793	R-CARBON;47OHM,5%,1/8W,AA,TP1.8X3.2MM	
2	R205	2001-000011	R-CARBON;75KOHM,5%,1/8W,AA,TP1.8X3.2MM		2	R203	2001-000857	R-CARBON;560OHM,5%,1/8W,AA,TP1.8X3.2MM	
2	R301	2001-000016	R-CARBON(S);10HM,5%,1/2W,AA,TP2.4X6.4MM		2	R204	2001-000857	R-CARBON;560OHM,5%,1/8W,AA,TP1.8X3.2MM	
2	J125	2001-000016	R-CARBON(S);10HM,5%,1/2W,AA,TP2.4X6.4MM		2	R713	2001-000857	R-CARBON;560OHM,5%,1/8W,AA,TP1.8X3.2MM	
2	R843	2001-000019	R-CARBON(S);100HM,5%,1/2W,AA,TP2.4X6.4M		2	R715	2001-000857	R-CARBON;560OHM,5%,1/8W,AA,TP1.8X3.2MM	
2	R618	2001-000019	R-CARBON(S);100HM,5%,1/2W,AA,TP2.4X6.4M		2	R110	2001-000924	R-CARBON;680OHM,5%,1/8W,AA,TP1.8X3.2MM	
					2	R915	2001-000924	R-CARBON;680OHM,5%,1/8W,AA,TP1.8X3.2MM	
					2	R108	2001-000947	R-CARBON;7.5KOHM,5%,1/8W,AA,TP1.8X3.2M	
					2	R222	2001-000947	R-CARBON;7.5KOHM,5%,1/8W,AA,TP1.8X3.2M	
					2	R702	2001-000969	R-CARBON;75OHM,5%,1/8W,AA,TP1.8X3.2MM	
					2	R719	2001-000969	R-CARBON;75OHM,5%,1/8W,AA,TP1.8X3.2MM	

Level	Loc. No.	Code No.	Description ; Specification	Remark	Level	Loc. No.	Code No.	Description ; Specification	Remark
2	R720	2001-000969	R-CARBON;750HM,5%,1/8W,AA,TP,1.8X3.2MM		2	C218	2305-000665	C-FILM,MPEF;100nF,5%,63V,TP,7.5x4.0x5.0mm	
2	R701	2001-000969	R-CARBON;750HM,5%,1/8W,AA,TP,1.8X3.2MM		2	C618	2305-000665	C-FILM,MPEF;100nF,5%,63V,TP,7.5x4.0x5.0mm	
2	R408	2001-001037	R-CARBON(S);0.390HM,5%,1/2W,AA,TP,2.4X6.4		2	C619	2305-000665	C-FILM,MPEF;100nF,5%,63V,TP,7.5x4.0x5.0mm	
2	R504	2001-001062	R-CARBON(S);10MOHM,5%,1/2W,AA,TP,2.4X6.4		2	C225	2309-000138	C-FILM,PE-PPE;100nF,5%,50V,TP,20x16x8.5,	
2	R414	2001-001078	R-CARBON(S);15KOHM,5%,1/2W,AA,TP,2.4X6.4		2	C812	2401-000262	C-AL;100uF,20%,160V,HR,TP,16x25.7,5	
2	R806	2001-001108	R-CARBON(S);22KOHM,5%,1/2W,AA,TP,2.4X6.4		2	C817	2401-000302	C-AL;100uF,20%,25V,GP,TP,6.3x11,5	
2	R411	2001-001114	R-CARBON(S);270OHM,5%,1/2W,AA,TP,2.4X6.4		2	C823	2401-000302	C-AL;100uF,20%,25V,GP,TP,6.3x11,5	
2	R809	2001-001150	R-CARBON(S);470KOHM,5%,1/2W,AA,TP,2.4X6.4		2	C915	2401-000302	C-AL;100uF,20%,25V,GP,TP,6.3x11,5	
2	R810	2001-001150	R-CARBON(S);470KOHM,5%,1/2W,AA,TP,2.4X6.4		2	C307	2401-000360	C-AL;100uF,20%,50V,GP,TP,8x11,5,5	
2	R501M	2002-001008	R-COMPOSITION;1.8Kohm,10%,1/2W,AA,TP,3.7		2	C308	2401-000360	C-AL;100uF,20%,50V,GP,TP,8x11,5,5	
2	R502M	2002-001008	R-COMPOSITION;1.8Kohm,10%,1/2W,AA,TP,3.7		2	C506	2401-000430	C-AL;10uF,20%,250V,GP,TP,10x16mm,5mm	
2	R503	2002-001008	R-COMPOSITION;1.8Kohm,10%,1/2W,AA,TP,3.7		2	C219	2401-000603	C-AL;1uF,20%,50V,GP,TP,5x11,5	
△	RX801S	2002-001011	R-COMPOSITION;3.3Mohm,5%,1/2W,AA,TP,3.7x		2	C212	2401-000660	C-AL;2.2uF,20%,50V,GP,TP,5x11,5	
△	RY801S	2002-001012	R-COMPOSITION;8.2Mohm,5%,1/2W,AA,TP,3.7x		2	C221	2401-000660	C-AL;2.2uF,20%,50V,GP,TP,5x11,5	
2	R827	2003-000652	R-METAL OXIDE(S);330ohm,5%,2W,AF,TP,4x12		2	C605	2401-000660	C-AL;2.2uF,20%,50V,GP,TP,5x11,5	
2	R316	2003-000652	R-METAL OXIDE(S);330ohm,5%,2W,AF,TP,4x12		2	C222	2401-000758	C-AL;220nF,20%,50V,GP,TP,5x11,5	
2	R403	2003-000784	R-METAL OXIDE(S);7.5Kohm,5%,2W,AF,TP,4x12		2	C827	2401-000927	C-AL;22uF,20%,250V,GP,TP,13x20,5	
2	R834	2003-001040	R-METAL OXIDE(S);47Kohm,5%,2W,AF,TP,3.9x		2	C110	2401-000962	C-AL;22uF,20%,50V,GP,TP,5x11,5	
2	R402	2003-002178	R-METAL OXIDE(S);1Kohm,5%,2W,AG,TP,3.9x1		2	C101	2401-001101	C-AL;330uF,20%,16V,GP,TP,8x11,5,5	
2	R407	2003-002209	R-METAL OXIDE(S);47Kohm,5%,2W,AG,TP,3.9X		2	C802	2401-001192	C-AL;33uF,20%,50V,GP,TP,6.3x11,5	
2	R219	2004-001914	R-METAL;39Kohm,2%,1/8W,AA,TP,1.8x3.5mm		2	C504	2401-001232	C-AL;4.7uF,20%,250V,GP,TP,10x12.5,5	
2	R817	2004-004089	R-METAL(S);123Kohm,1%,1/2W,AA,TP,2.5x6.5		2	C209	2401-001840	C-AL;100uF,20%,16V,GP,TP,6.3x11,5	
2	R304	2008-000253	R-FUSIBLE(S);0.47ohm,5%,1W,AF,TP,3.9x10m		2	C213	2401-001840	C-AL;100uF,20%,16V,GP,TP,6.3x11,5	
2	R305	2008-000253	R-FUSIBLE(S);0.47ohm,5%,1W,AF,TP,3.9x10m		2	C229	2401-001840	C-AL;100uF,20%,16V,GP,TP,6.3x11,5	
2	R825	2008-000266	R-FUSIBLE(S);1ohm,5%,2W,AF,TP,3.9x10mm		2	C903	2401-001840	C-AL;100uF,20%,16V,GP,TP,6.3x11,5	
2	R824	2008-000294	R-FUSIBLE(S);33ohm,5%,2W,AF,TP,3.9x10mm		2	C910	2401-001840	C-AL;100uF,20%,16V,GP,TP,6.3x11,5	
2	R420	2008-001110	R-FUSIBLE(S);68ohm,5%,2W,AG,TP,3.9X12mm		2	C705	2401-001989	C-AL;4.7uF,20%,50V,BPT,TP,5x11,5	
2	C904	2201-000180	C-CERAMIC,DISC;10nF,10%,50V,Y5V,TP,7x3,5		2	C706	2401-001989	C-AL;4.7uF,20%,50V,BPT,TP,5x11,5	
2	C501	2201-000192	C-CERAMIC,DISC;0.01nF,0.25pF,500V,NP0,TP		2	C601	2401-001998	C-AL;1000uF,20%,25V,GP,TP,10x20,5mm	
2	C302	2201-000259	C-CERAMIC,DISC;0.18nF,10%,500V,Y5P,TP,5		2	C206	2401-002235	C-AL;10uF,20%,16V,GP,TP,5x11mm,5mm	
2	C303	2201-000556	C-CERAMIC,DISC;0.47nF,10%,500V,Y5P,TP,5		2	C220	2401-002235	C-AL;10uF,20%,16V,GP,TP,5x11mm,5mm	
2	C305	2201-000556	C-CERAMIC,DISC;0.47nF,10%,500V,Y5P,TP,5		2	C709	2401-002235	C-AL;10uF,20%,16V,GP,TP,5x11mm,5mm	
2	C908	2201-000573	C-CERAMIC,DISC;0.047nF,5%,50V,NP0,TP,5x3		2	C304	2401-002288	C-AL;470uF,20%,25V,WT,TP,10x20,5	
2	C909	2201-000573	C-CERAMIC,DISC;0.047nF,5%,50V,NP0,TP,5x3		2	C306	2401-002288	C-AL;470uF,20%,25V,WT,TP,10x20,5	
2	C408	2201-000599	C-CERAMIC,DISC;0.56nF,10%,500V,Y5P,TP,5		2	C813	2401-002290	C-AL;47uF,20%,160V,GP,TP,13x20,5	
△	CR404S	2201-000639	C-CERAMIC,DISC;0.68nF,10%,2kV,Y5P,TP,9x5		2	C406	2401-002619	C-AL;47uF,20%,25V,GP,TP,5x11,5	
2	C811	2201-000991	C-CERAMIC,DISC;0.56nF,10%,2kV,Y5P,TP,7.5		2	C214	2401-003102	C-AL;100uF,20%,10V,GP,TP,5x11,5	
2	C814	2201-000991	C-CERAMIC,DISC;0.56nF,10%,2kV,Y5P,TP,7.5		2	L103	2701-000114	INDUCTOR-AXIAL;10uH,10%,2.5x3.4mm	
2	C503	2201-000723	C-CERAMIC,DISC;4.7nF,20%,3KV,Y5U,TP,16x5		2	L202	2701-000114	INDUCTOR-AXIAL;10uH,10%,2.5x3.4mm	
2	C703	2202-000121	C-CERAMIC,MLC-AXIAL;100pF,10%,50V,Y5P,TP		2	L301	2701-000142	INDUCTOR-AXIAL;1uH,10%,2.5x3.4mm	
2	C704	2202-000121	C-CERAMIC,MLC-AXIAL;100pF,10%,50V,Y5P,TP		2	L302	2701-000142	INDUCTOR-AXIAL;1uH,10%,2.5x3.4mm	
2	C106	2202-000127	C-CERAMIC,MLC-AXIAL;10nF,+80-20%,25V,Y5V		2	L404	2701-000142	INDUCTOR-AXIAL;1uH,10%,2.5x3.4mm	
2	C111	2202-000127	C-CERAMIC,MLC-AXIAL;10nF,+80-20%,25V,Y5V		2	L903	2701-000158	INDUCTOR-AXIAL;22uH,10%,2.5x3.4mm	
2	C223	2202-000796	C-CERAMIC,MLC-AXIAL;1nF,10%,50V,Y5P,TP,3		2	L102	2701-000159	INDUCTOR-AXIAL;22uH,10%,4.2x9.8mm	
2	C224	2202-000796	C-CERAMIC,MLC-AXIAL;1nF,10%,50V,Y5P,TP,3		2	L201	2701-000159	INDUCTOR-AXIAL;22uH,10%,4.2x9.8mm	
2	C906	2202-000796	C-CERAMIC,MLC-AXIAL;1nF,10%,50V,Y5P,TP,3		2	L205	2701-000159	INDUCTOR-AXIAL;22uH,10%,4.2x9.8mm	
2	C505	2202-000825	C-CERAMIC,MLC-AXIAL;680pF,10%,50V,Y5P,TP		2	L405	2701-000159	INDUCTOR-AXIAL;22uH,10%,4.2x9.8mm	
2	C226	2202-000829	C-CERAMIC,MLC-AXIAL;0.82nF,10%,50V,Y5P,TP		2	L104	2701-000168	INDUCTOR-AXIAL;3.3uH,5%,2.5x3.4mm	
2	C707	2301-000204	C-FILM,PEF;2.7nF,5%,50V,TP,7.4x3.9x13mm,		2	L902	2701-000180	INDUCTOR-AXIAL;33uH,5%,2.5x3.4mm	
2	C502	2301-000213	C-FILM,PEF;220nF,5%,250V,TP,21.5x11.7,5		2	L904	2701-000180	INDUCTOR-AXIAL;33uH,5%,2.5x3.4mm	
2	C109	2301-000224	C-FILM,PEF;22nF,5%,50V,TP,7.4x3.9x13mm,5		2	L703	2701-000184	INDUCTOR-AXIAL;1uH,10%,2.5x3.4mm	
2	C804	2301-000224	C-FILM,PEF;22nF,5%,50V,TP,7.4x3.9x13mm,5		2	L706	2701-000184	INDUCTOR-AXIAL;4.7uH,10%,2.5x3.4mm	
2	C805	2301-000235	C-FILM,PEF;3.9nF,5%,50V,TP,6.5x3.0x5.5mm		2	L204	2701-000184	INDUCTOR-AXIAL;4.7uH,10%,2.5x3.4mm	
2	C309	2301-000254	C-FILM,PEF;39nF,5%,50V,TP,7.5x3.5x6.5mm,		2	X901	2801-003937	CRYSTAL-UNIT;12MHz,25ppm,28-AAM,30pF,300	
2	C217	2301-000342	C-FILM,PEF;2.2nF,5%,50V,TP,7.4x3.9x13mm,		2	L806	2901-000297	FILTER-EMI ON BOARD;-,3A,-,3.5x5,TP-	
2	C234	2301-000342	C-FILM,PEF;2.2nF,5%,50V,TP,7.4x3.9x13mm,		2	L808	2901-000297	FILTER-EMI ON BOARD;-,3A,-,3.5x5,TP-	
2	C407	2301-000383	C-FILM,PEF;10nF,5%,50V,TP,6x7x3.2mm,5mm		△	L403	2901-000297	FILTER-EMI ON BOARD;-,3A,-,3.5x5,TP-	
2	C227	2301-000445	C-FILM,PEF;4.7nF,5%,50V,TP,5.5x7x3mm,5mm		2	Z202	2903-001040	FILTER-CERAMIC;TR,5.5/6.0/6.5MHz,-1dB-	
2	C248	2301-000445	C-FILM,PEF;4.7nF,5%,50V,TP,5.5x7x3mm,5mm		2	L802	3301-000287	CORE-FERRITE BEAD;AA,3.5x1.0x6.0mm,1500,	
2	C420	2301-001065	C-FILM,MPPF;47nF,5%,630V,TP,19x15.5x7.7,		2	L803	3301-000287	CORE-FERRITE BEAD;AA,3.5x1.0x6.0mm,1500,	
2	C301	2305-000285	C-FILM,MPEF;220nF,5%,100V,TP,10.5x5.5x15		2	J910	3301-000287	CORE-FERRITE BEAD;AA,3.5x1.0x6.0mm,1500,	
2	C215	2305-000289	C-FILM,MPEF;220nF,5%,63V,TP,-,5mm		2	SW901	3404-000244	SWITCH-TACT;15V,20mA,90-170gf,7.5x7mm,SP	
2	C216	2305-000289	C-FILM,MPEF;220nF,5%,63V,TP,-,5mm		2	SW902	3404-000244	SWITCH-TACT;15V,20mA,90-170gf,7.5x7mm,SP	
2	C233	2305-000289	C-FILM,MPEF;220nF,5%,63V,TP,-,5mm		2	SW903	3404-000244	SWITCH-TACT;15V,20mA,90-170gf,7.5x7mm,SP	
2	C611	2305-000289	C-FILM,MPEF;220nF,5%,63V,TP,-,5mm		2	SW904	3404-000244	SWITCH-TACT;15V,20mA,90-170gf,7.5x7mm,SP	
2	C613	2305-000289	C-FILM,MPEF;220nF,5%,63V,TP,-,5mm		2	SW905	3404-000244	SWITCH-TACT;15V,20mA,90-170gf,7.5x7mm,SP	
2	C603	2305-000289	C-FILM,MPEF;220nF,5%,63V,TP,-,5mm		2	F801A	3602-000114	FUSE-HOLDER;-,30mohm	
2	C607	2305-000289	C-FILM,MPEF;220nF,5%,63V,TP,-,5mm		2	F801B	3602-000114	FUSE-HOLDER;-,30mohm	
△	CR405S	2305-000382	C-FILM,MPEF;4.7nF,5%,400V,TP,-,5mm		2	C107	3812-000219	WIRE-NO SHEATH CU;TCWA,300V,52mm(TAPING)	
2	C103	2305-000665	C-FILM,MPEF;100nF,5%,63V,TP,7.5x4.0x5.0mm		2	C507	3812-000219	WIRE-NO SHEATH CU;TCWA,300V,52mm(TAPING)	
2	C208	2305-000665	C-FILM,MPEF;100nF,5%,63V,TP,7.5x4.0x5.0mm		2	C508	3812-000219	WIRE-NO SHEATH CU;TCWA,300V,52mm(TAPING)	
2	C210	2305-000665	C-FILM,MPEF;100nF,5%,63V,TP,7.5x4.0x5.0mm		2	D202	3812-000219	WIRE-NO SHEATH CU;TCWA,300V,52mm(TAPING)	
2	C230	2305-000665	C-FILM,MPEF;100nF,5%,63V,TP,7.5x4.0x5.0mm		2	J102	3812-000219	WIRE-NO SHEATH CU;TCWA,300V,52mm(TAPING)	
2	C803	2305-000665	C-FILM,MPEF;100nF,5%,63V,TP,7.5x4.0x5.0mm		2	J103	3812-000219	WIRE-NO SHEATH CU;TCWA,300V,52mm(TAPING)	
2	C819	2305-000665	C-FILM,MPEF;100nF,5%,63V,TP,7.5x4.0x5.0mm		2	J104	3812-000219	WIRE-NO SHEATH CU;TCWA,300V,52mm(TAPING)	
2	C913	2305-000665	C-FILM,MPEF;100nF,5%,63V,TP,7.5x4.0x5.0mm		2	J106	3812-000219	WIRE-NO SHEATH CU;TCWA,300V,52mm(TAPING)	



Electrical Parts List

Level	Loc. No.	Code No.	Description ; Specification	Remark	Level	Loc. No.	Code No.	Description ; Specification	Remark
2	EY833	AA60-40011A	K EYELET;ID2.0,OD2.8,BST		2	Q703	0504-000123	TR-DIGITAL;KSR1010,NPN,300mW,10K,T0-92,T	
2	EY850	AA60-40011A	K EYELET;ID2.0,OD2.8,BST		2	R710	2001-000004	R-CARBON;200KOHM,5%,1/8W,AA,TP,1.8X3.2M	
2	EY851	AA60-40011A	K EYELET;ID2.0,OD2.8,BST		2	C606	2301-000289	C-FILM,PEF;5.6nF,5%,50V,TP,7x6x3.5	
2	EY852	AA60-40011A	K EYELET;ID2.0,OD2.8,BST		2	C610	2301-000289	C-FILM,PEF;5.6nF,5%,50V,TP,7x6x3.5	
2	EY853	AA60-40011A	K EYELET;ID2.0,OD2.8,BST		2	R601	2001-000878	R-CARBON;6.2KOHM,5%,1/8W,AA,TP,1.8X3.2M	
2	EY860	AA60-40011A	K EYELET;ID2.0,OD2.8,BST		2	R607	2001-000878	R-CARBON;6.2KOHM,5%,1/8W,AA,TP,1.8X3.2M	
2	EY861	AA60-40011A	K EYELET;ID2.0,OD2.8,BST		2	R814	2003-002228	R-METAL OXIDE(S);0.47ohm,5%,2W,AG,TP,3.9	
2	EL301	AA60-40011B	K EYELET;ID2.2,OD3.2,BSP		2	R815	2003-002228	R-METAL OXIDE(S);0.47ohm,5%,2W,AG,TP,3.9	
2	EL302	AA60-40011B	K EYELET;ID2.2,OD3.2,BSP		2	R302	2004-004366	R-METAL(S);1.3Kohm,1%,1/2W,AA,TP,2.5x6.5	
2	EL403	AA60-40011B	K EYELET;ID2.2,OD3.2,BSP		2	R303	2008-001013	R-FUSIBLE(S);1.2ohm,5%,2W,AF,TP,3.9x10mm	
2	EL404	AA60-40011B	K EYELET;ID2.2,OD3.2,BSP		2	R306	2004-001369	R-METAL(S);1.2Kohm,1%,1/2W,AA,TP,2.4x6.4	
2	EL407	AA60-40011B	K EYELET;ID2.2,OD3.2,BSP		2	R421	2008-001015	R-FUSIBLE(S);1.5ohm,5%,2W,AF,TP,3.9x10mm	
2	EL408	AA60-40011B	K EYELET;ID2.2,OD3.2,BSP		2	R505	2008-001015	R-FUSIBLE(S);1.5ohm,5%,2W,AF,TP,3.9x10mm	
2	EL501	AA60-40011B	K EYELET;ID2.2,OD3.2,BSP		△ 2	NT802S	1404-001045	THERMISTOR-NTC;4.7ohm,15%,2900K,35.0mW,T	
2	EL502	AA60-40011B	K EYELET;ID2.2,OD3.2,BSP		△ 2	P803S	1404-001156	THERMISTOR-PTC;90HM,+30%/-20%,220VRMS,27	
2	EL601	AA60-40011B	K EYELET;ID2.2,OD3.2,BSP		△ 2	CX801S	2306-000318	C-FILM,MPPF;220nF,20%,250V,TP,-22.5mm	
2	EL602	AA60-40011A	K EYELET;ID2.2,OD3.2,BSP		△ 2	SF101S	2904-001063	FILTER-SAW AV;38.9MHz,SIP5K,TP,18.5dB,B/	
2	EL603	AA60-40011B	K EYELET;ID2.2,OD3.2,BSP		△ 2	T401	AA26-50001B	TRANS-HORIZ DRIVE;---,7.1mH,---,102uH,	
2	EL604	AA60-40011B	K EYELET;ID2.2,OD3.2,BSP		△ 2	LX801S	AA29-30001D	FILTER LINE NOISE;SQ1913,-6.0MH,0.8A,-	
2	EL801	AA60-40011B	K EYELET;ID2.2,OD3.2,BSP		△ 2	TU01S	AA40-00077A	TUNER;TECC0949PL35A(S),PAL,181CH,38.	
2	EL802	AA60-40011B	K EYELET;ID2.2,OD3.2,BSP		2	LD901	AA96-00555A	ASSY LED GUIDE;---,LJEX-LD-030,GREEN	
2	EL904	AA60-40011B	K EYELET;ID2.2,OD3.2,BSP		2	IC501	AA96-00842A	ASSY H/S,VIDEO,AA62-30175D,TDA6107Q	
2	GT101	AA60-40014A	PIN-GT,ASSY,AUTO		3	IC501	1201-001541	IC-VIDEO AMP;6107,ZSIP,9P,-,SINGLE,-,PLA	
2	GT502	AA60-40014A	PIN-GT,ASSY,AUTO		3	SCR501	6003-000334	SCREW-TAPTITE,RH,+2S,M3,L6,ZPC(YEL),SWR	
2	GT802	AA60-40014A	PIN-GT,ASSY,AUTO		3	H/S501	AA62-30175D	HEAT SINK-PS,-,SECC,T1.0,-,33X15X30 FT-2	
2	GT803	AA60-40014A	PIN-GT,ASSY,AUTO		△ 2	V999S	3704-001089	SOCKET-CRT;7P,22.5P,12P,SN,-	
2	GT804	AA60-40014A	PIN-GT,ASSY,AUTO		△ 2	RM901	AA32-00015A	MODULE REMOCON;FRP-3521H31,38KHZ,940MM,M	
2	GT805	AA60-40014A	PIN-GT,ASSY,AUTO		△ 2	IC801S	AA96-00845A	ASSY H/S,POWER,AA62-30186B,KA50Q765R	
2	GT806	AA60-40014A	PIN-GT,ASSY,AUTO		△ 3	IC801	1203-001932	IC-PWM CONTROLLER;SQ0765,T0-220F,5P,185M	
2	GT501	AA60-40014A	PIN-GT,ASSY,AUTO		3	SCR801	6003-000333	SCREW-TAPTITE,RH,+2S,M3,L10,ZPC(YEL),SW	
2	GT807	AA60-40014A	PIN-GT,ASSY,AUTO		3	H/S801	AA62-30186B	HEAT SINK-ES;---,SILVER,171J+ COVER-H	
2	R424	2004-001402	R-METAL(S);6.8Kohm,1%,1/2W,AA,TP,2.4x6.4		3		HA68-02189A	LABEL-WARNING;33MM,18MM,WHITE	
2	R423	2004-001373	R-METAL(S);100Kohm,1%,1/2W,AA,TP,2.4x6.4		3		0205-000129	GREASE-SILICON;SC102,JAPAN	
△ 2	FD801S	3601-001163	FUSE-AXIAL LEAD;125V,7A,-,EPOXY,2.4X7.1M		△ 2	IC802	AA96-00846A	ASSY H/S,POWER,AA62-00055A,KA7632	
2	D303	0402-000132	DIODE-RECTIFIER;1N4004,400V,1A,DO-41,TP		△ 3	IC802	1203-001939	IC-POSI.FIXED REG.;7632,SIP,10P,-,PLASTI	
△ 2	D809	0402-000132	DIODE-RECTIFIER;1N4004,400V,1A,DO-41,TP		3	H/S802	AA62-00055A	HEAT SINK-PS;---,T1.0,-,35*15*25,D1,-,,-	
2	C115	2202-000632	C-CERAMIC,MLC-AXIAL;100nF,20%,50V,Z5U,TP		3	SCR802	6003-000334	SCREW-TAPTITE,RH,+2S,M3,L6,ZPC(YEL),SWR	
2	C211	2202-000632	C-CERAMIC,MLC-AXIAL;100nF,20%,50V,Z5U,TP		2	IC902	1103-001106	IC-EEPROM;C81D,1028x8Bit,DIP,8P;300MIL,	
2	C911	2202-000632	C-CERAMIC,MLC-AXIAL;100nF,20%,50V,Z5U,TP		△ 2	SW801S	3403-001107	SWITCH-PUSH;250V,5A,DPST,-,KDC-A04	
2	C822	2401-000711	C-AL;2200uF,20%,25V,GP,TP;16x25,7.5		2	Q401	0502-001160	TR-POWER;2SD2499,NPN,50000mW,T0-3P,BK,8	
2	C806	2301-001435	C-FILM,PPF;1.5nF,5%,1.2kV,TP;15x8x12.5mm		2	JS701	3772-000497	JACK-PIN;4P;3.4mm,SN,BLK,-	
2	C207	2305-000412	C-FILM,MPEF;470nF,5%,63V,TP,-,5mm		2	TOP	AA39-20010D	LEAD CONNECTOR-ASSY;1PYFH800-01,S,400,	
2	C901	2305-000412	C-FILM,MPEF;470nF,5%,63V,TP,-,5mm		2	CN501	AA39-20620C	LEAD CONNECTOR-ASSY;9PYBNH250-09,S,500	
2	C612	2401-000480	C-AL;10uF,20%,50V,GP,TP;5x11,5		2	IC301	AA96-00847A	ASSY H/S,AA62-00046A,LA7840	
2	C820	2401-000480	C-AL;10uF,20%,50V,GP,TP;5x11,5		3		1204-001483	IC-VERTICAL PROCESSOR;LA7840,SIP,7P;708MI	
2	C604	2401-000480	C-AL;10uF,20%,50V,GP,TP;5x11,5		3		AA62-00064A	HEAT SINK-PS;DP;---,AA62-00046A,---,	
2	PCB	AA41-00131G	PCB-MAIN;CS2139,FR-1.1,L,G,1.6T,245X245,K		3		6003-000334	SCREW-TAPTITE,RH,+2S,M3,L6,ZPC(YEL),SWR	
2	C702	2202-000210	C-CERAMIC,MLC-AXIAL;270pF,10%,50V,Y5P,TP		3		0205-000129	GREASE-SILICON;SC102,JAPAN	
△ 2	FP801S	3601-000281	FUSE-CARTRIDGE;250V,4A,TIME-LAG,GLASS,5.		2	C801	2401-002221	C-AL;220uF,20%,450V,GP,ST;25x40,10	
2	C403	2401-000560	C-AL;1uF,20%,160V,GP,TP;6.3x11,5		△ 2	CR402S	2306-001004	C-FILM,MPPF;300nF,5%,400V,TP;26x14x21mm,	
2	Z203	2903-000181	FILTER-CERAMIC,BR,5.5MHz,---,TP;TPSS5.5		△ 2	T444S	AA26-00116A	TRANS FBTF;FSV-14A004H(S),CT15A8,3.24MH,1,	
△ 2	D804	0401-000006	DIODE-SWITCHING;BAV21,250V,250mA,DO-35,T		2	SUB	AA98-00079A	ASSY SUB PART;K51A,MAIN(OPT),PAL,-	
△ 2	D805	0402-001470	DIODE-RECTIFIER;RUZV21,800V,1A,DO-204AC		3		0202-000008	SOLDER-WIRE;S63S-W3.0,S63S,D3,63Sn/37Pb,	
2	R808	2001-001138	R-CARBON(S);390OHM,5%,1/2W,AA,TP,2.4X6.4		3		0202-000187	SOLDER-WIRE FLUX;---,RS60S,D1,2.63Sn/37Pb	
2	R831	2001-001088	R-CARBON(S);1KOHM,5%,1/2W,AA,TP,2.4X6.4M		3		0204-000442	SOLVENT;1M-1000,C3H7OH,96,-	
2	R405	2001-001116	R-CARBON(S);270HM,5%,1/2W,AA,TP,2.4X6.4M		3		0204-001024	FLUX;DF-98TVS,-,20%,-	
2	C203	2401-002462	C-AL;33uF,20%,16V,GP,TP;5x11,5		△ 2	LR401S	AA27-00053A	COIL LINEARITY;---,193uH,DR10X10 C:4.35,7.	
2	R811	2003-002239	R-METAL OXIDE(S);100KOHM,5%,2W,AF,TP,3.9		△ 2	CR410S	2303-001015	C-FILM,PPF;5.5nF,5%,1.6kV,TP;29x9.5x17,2	
2	R812	2003-002239	R-METAL OXIDE(S);100KOHM,5%,2W,AF,TP,3.9		2	LW01	AA27-40001M	COIL HORIZ WIDTH;---,180/480uH,SB-5S6202.	
2	C818	2401-003028	C-AL;100uF,20%,25V,WT,TP;6.3x11,5		2	CN703	3711-000628	CONNECTOR-HEADER;---,11P;1R,2.5mm,STRAIGHT	
2	C821	2401-003028	C-AL;100uF,20%,25V,WT,TP;6.3x11,5		2	CN602	3711-002643	CONNECTOR-HEADER;BOX,4P,1R,2.5mm,STRAIGH	
2	L804	2701-001030	INDUCTOR-AXIAL;43uH,10%,5x14mm		△ 2	CY801S	2201-000446	C-CERAMIC,DISC;3.3nF,20%,400V,Y5U,TP;15x	
2	L807	2701-001030	INDUCTOR-AXIAL;43uH,10%,5x14mm		△ 2	IC201S	AA09-00297A	IC MICOM;TDA9381/N2/3I,SPM-802EEN2,64P,	
2	R923	2001-000273	R-CARBON;100KOHM,5%,1/8W,AA,TP,1.8X3.2M		△ 2	T801S	AA26-00134A	TRANS SWITCHING;CS21S5T,160V-260V,PM2 P	
2	R801	2003-002171	R-METAL OXIDE(S);150ohm,5%,2W,AG,TP,3.9x		2	CN401	AA60-40012D	PIN-GT,ASSY;T1.6,6-12.5,-,NYLON66	
2	R840	2001-001122	R-CARBON(S);3.9KOHM,5%,1/2W,AA,TP,2.4X6.		△ 2	D806	AA96-00922A	ASSY H/S,BRIDGE,AA62-00065A,D06U20S,KS	
2		0203-001123	TAPE-PAPER;#53131,T0.15,W6.0,L200000,YEL		3		0205-000129	GREASE-SILICON;SC102,JAPAN	
2	C102	2202-000279	C-CERAMIC,MLC-AXIAL;47pF,5%,50V,SL,TP,3.		3		0402-001374	DIODE-RECTIFIER;FFHF06U20S,200V,6A,T0-22	
2	DZ401	0403-001319	DIODE-ZENER;MTZJ4.7C,4.68-4.93V,500mW,DO		3		6003-000334	SCREW-TAPTITE,RH,+2S,M3,L6,ZPC(YEL),SWR	
2	DZ906	0403-001319	DIODE-ZENER;MTZJ4.7C,4.68-4.93V,500mW,DO		3		AA62-00065A	HEAT SINK-PS;DP;---,AA62-00046A,---,	
2	DZ907	0403-001319	DIODE-ZENER;MTZJ4.7C,4.68-4.93V,500mW,DO		2	IC601	AA96-00923A	ASSY H/S,AUDIO,AA62-00064A,TDA8944,BRK	
2	DZ908	0403-001319	DIODE-ZENER;MTZJ4.7C,4.68-4.93V,500mW,DO		3		0205-000129	GREASE-SILICON;SC102,JAPAN	
2	R115	2001-000645	R-CARBON;330KOHM,5%,1/8W,AA,TP,1.8X3.2M		3		1201-001741	IC-AUDIO AMP;TDA8944J,DBS,17P;937MIL,DUA	
2	R116	2001-000319	R-CARBON;120KOHM,5%,1/8W,AA,TP,1.8X3.2M		3		6003-000334	SCREW-TAPTITE,RH,+2S,M3,L6,ZPC(YEL),SWR	
2	R413	2003-000592	R-METAL OXIDE(S);22ohm,5%,2W,AF,TP,4x12m		3		AA61-10162B	BRACKET-IC;---,SBHG-1,T1.0,---,100	
2	C708	2401-000471	C-AL;10uF,20%,50V,GP,TP;5x11,5mm		3		AA62-00064A	HEAT SINK-PS;DP;---,AA62-00046A,---,	

Level	Loc. No.	Code No.	Description ; Specification	Remark	Level	Loc. No.	Code No.	Description ; Specification	Remark
<b>ASSY CRT</b>					<b>ASSY COVER REAR</b>				
	1	AA94-05857A	ASSY CRT;A48JLL90X02(W),450MG,20,ITC,O		1	AA90-04278B	ASSY COVER REAR;20H4,CS-BWT		
△	2	AA03-00258A	CRT COLOR;A48JLL80X01,+380MG,2.3MH,28.0M		2	CB+CF	6002-000515	SCREW-TAPPING;RH,+2,M4,L15,ZPC(WHT),SWR	
	2	AA27-20003Y	COIL DEGAUSSING,-;20,15.2ohm,28T,L2170,E		2	CB+RCA	6002-000515	SCREW-TAPPING;RH,+2,M4,L15,ZPC(WHT),SWR	
	2	AA98-70031A	ASSY TBC WIRE(P);DP20,AA98-70014B,1P,TV		2		AA64-02904A	CABINET BACK;20H4(SEH),HIPS,HB	
	2	AA65-30107A	CLAMPER CORE-D,COIL;20-22 INCH,NYLON 66,		3		HA83-00013A	LP-RESIN HIPS;NTR,HB,DOW A-TECH,IEC65	
	2	AA39-20518A	LEAD CONNECTOR-ASSY;6(4)PYFH806-06,350		3		HA83-00011A	LP-RESIN;M BATCH,WILSON 6007-GY-60,GRY	
<b>ASSY ETC-A/V SIDE</b>					2		AA65-30008A	CLAMPER CORE-CORD;-;PE,HB,-,BLK,-	
	1	AA95-03104A	ASSY ETC-A/V SIDE;21D8,KS1A		2		AA65-30009A	CLAMPER CORE-FBT;-;ABS,VO,-,BLK,-	
	2	RE01	2001-001153	R-CARBON(S);470HM,5%,1/2W,AA,TP,2.4X6.4M		2	AA65-30018A	CLAMPER CORE-WIRE;DONG-A,NYLON-66,-,-,-	
	2	RE02A	2001-001153	R-CARBON(S);470HM,5%,1/2W,AA,TP,2.4X6.4M		2	AA65-30110A	CLAMPER CORE-WIRE;ALL MODEL,NYLON 66,V2,	
	2	CE04	2202-000121	C-CERAMIC,MLC-AXIAL;100pf,10%,50V,Y5P,TP		<b>REMOCON</b>			
	2	CE07	2202-000222	C-CERAMIC,MLC-AXIAL;3.3nF,20%,16V,Y5P,TP		1	AA59-00104J	REMOCON;-;TM59,SIM806E,25,L/GRAY,EX,GR	
	2	CE01	2401-001840	C-AL;100uF,20%,16V,GP,TP,6.3x11.5		<b>ASSY ACCESSORY</b>			
	2	LE04	2701-000114	INDUCTOR-AXIAL;10uH,10%;2.5x3.4mm		1	AA92-07105A	ASSY ACCESSORY;20H4,21H4,KS1A	
	2	LE01	2701-000158	INDUCTOR-AXIAL;22uH,10%;2.5x3.4mm		2	4301-000120	BATTERY-MN;1.5V;-;AA,14.5x50mm,-	
	2	JE01	3812-000219	WIRE-NO SHEATH CU;TCWA,300V,52mm(TAPING)		2	HA83-00047A	LP-TAPEACETATE;T0.1MM,W20MM,L200MM	
	2	PCB	AA41-00567A	PCB-SIDE AV;CS21D8,FR-1,1LA,1.6T,245X24		2	HA69-00276A	BAG VINYL;HDPE,T0.025,L400,W240,-;VV/O LO	
	2	JE601	3722-000143	JACK-PHONE;1P(VER),3.4PI,AG,BLK,NO		2	HA68-00816B	CARD WARRANTY;RUSSINA,2,W/P 120G,BOTH FA	
	2	JR01	3722-001282	JACK-PIN;2P(3P),3.2mm,AU,BLK,-		2	AA26-90001C	TRANS MATCHING;-;300ohm/75ohm,PAL,40-890	
	2	CN702	AA39-20461C	LEAD CONNECTOR-ASSY;11P;YBNH250-11,6709		2	AA42-00003A	ANT ROD;-;3S,720mm,ABS,UL/CSA,-	
	2		0202-000008	SOLDER-WIRE;S63S-W3.0,S63S,D3,63Sn/37Pb,		2	HA68-02176A	LABEL-LABEL	
	2		0202-000187	SOLDER-WIRE FLUX;-;RS60S,D1.2,63Sn/37Pb		2	AA68-01120A	MANUAL SERVICE;-;CIS,A4,6PAGE(FOLD),W/	
	2		0204-000442	SOLVENT;1M-1000,C3H7OH,96,-		2	AA68-02643A	MANUAL USERS;BWT,EST,A/P 100(G),145,205	
	2		0204-001024	FLUX;DF-98TVS,-;20%,-		2	AA68-02644A	MANUAL USERS;BWT,LATV,A/P 100(G),145,20	
	2					2	AA68-02645A	MANUAL USERS;BWT,LITH,A/P 100(G),145,20	
<b>ASSY COVER FRONT</b>					<b>ASSY BOX</b>				
	1	AA90-04276A	ASSY COVER FRONT;20H4		1	AA92-07106A	ASSY BOX;20H4		
	2	AA96-01168A	ASSY COVER P-C/FRONT;20H4,HIPS HB		2	AA69-01735C	PACKING CASE;20H4,D-1,A1,YEL,SEH(LOCAL)		
	3	KC+CF	6003-001019	SCREW-TAPTITE;RH,+B,M4,L12,ZPC(BLK),SWR		2	HA68-02178A	LABEL-BOX;250MM,89MM,WHITE	
	3	SPK +C	6003-001019	SCREW-TAPTITE;RH,+B,M4,L12,ZPC(BLK),SWR		2	HA83-00046A	LP-TAPE INK;WIDTH 105 MM	
	3	WR+CF	6003-001019	SCREW-TAPTITE;RH,+B,M4,L12,ZPC(BLK),SWR		<b>ASSY P/MATERIAL</b>			
	3		AA61-60003J	SPRING ETC-CS;-;SUS304,-;OD6,N7,OD6,-		1	AA92-07108A	ASSY P/MATERIAL;20H4,BWT	
	3		AA64-03235A	KNOB-CONTROL;20H4,ABS,HB		2	AA60-40006A	PIN-STAPLE;AUTO,33X17.8X2.4,H18,33X17.8X	
	4		HA83-00011A	LP-RESIN;M BATCH,WILSON 6007-GY-60,GRY		2	AA69-01684A	CUSHION SET;20H4,PS FOAMED,C=0.02	
	4		HA83-00006A	LP-RESIN HIPS;BASF495F,NTR,HB		2	AA69-00744C	BAG-SHEET;-;HDPE PE FOAM,T0.015,W1050,H9	
	3		AA64-70010B	BADGE-BRAND;-;AL,-;L50,-;SILVER,SS R20		<b>ASSY LABEL</b>			
	3		AA65-30105A	CLAMPER CORE-WIRE;ALL MODEL,NYLON 66,V2,		1	AA92-07110A	ASSY LABEL;20H4,KS1A	
	3		AA64-03233A	KNOB-POWER;20H4,ABS,HB,NO-SILK		2	AA68-00526A	LABEL-RATING;ART PAPER(90),ALL MODEL,LAM	
	4		HA83-00006A	LP-RESIN HIPS;BASF495F,NTR,HB		2	HA83-00052A	LP-TAPE-INK;WIDTH 55 MM	
	4		HA83-00011A	LP-RESIN;M BATCH,WILSON 6007-GY-60,GRY		2	HA83-00046A	LP-TAPE INK;WIDTH 105 MM	
	3		AA39-20505M	LEAD CONNECTOR-ASSY;4PYSH025-04,REC,35		2	AA68-01376C	LABEL-CRT;CIS ALL,HOLOGRAM,AUTO-VOLTAGE,	
	3		AA64-03237A	WINDOW-RMC,LED;20H4,ACRYL,CLR		<b>ASSY POWER CORD</b>			
	4		HA83-00009A	LP-RESIN PC;LEXAN 121R,VIOLET		△	AA96-01126A	ASSY POWER CORD;DPA39-10001G,CP2,H/C25	
	3		3001-000274	SPEAKER;5W,80HM,90DB,160HZ		2	AA39-10001G	CBF POWER CORD;-;KKP-419C,KLCE-2F2.286m	
	3		HA61-00721B	HOLDER-RAIL;21F5,HIPS,HB,GRY		2	AA61-20284A	HOLDER;P-CORD,PP,-,-,BLK,VO,KE-002	
	4		HA83-00006A	LP-RESIN HIPS;BASF495F,NTR,HB					
	4		HA83-00011A	LP-RESIN;M BATCH,WILSON 6007-GY-60,GRY					
	3		AA61-40113A	STOPPER-PCB;501H,HIPS,-,-,HB,NTR,-					
	3		AA64-01309K	INLAY AV;PS SHEET,21D8,T0.3,-,-,S15A M					
	3		0203-001290	TAPE-OPP MASKING;ANT 100C,T0.073,W30,L50					
	2	crt	AA60-100500	SCREW-ASSY;-;SWRCH18A,M5,L26.5,HH,+WC,-					
	2	CR+AV	6003-001024	SCREW-TAPTITE;RWH,+B,M4,L12,ZPC(YEL),SW					
	2	QMS	HA83-00052A	LP-TAPE-INK;WIDTH 55 MM					
	2	RATING	HA83-00052A	LP-TAPE-INK;WIDTH 55 MM					
	2		HA68-02177B	LABEL-PQS;ALL,30MM,65MM,WHITE,AA68-02177					
	2		AA65-30018A	CLAMPER CORE-WIRE;DONG-A,NYLON-66,-,-,-					
	2		HA68-02179A	LABEL-RATING;58MM,53MM,WHITE					



### 7-9 CS20S1ZSXBWT

Level	Loc. No.	Code No.	Description ; Specification	Remark	Level	Loc. No.	Code No.	Description ; Specification	Remark
<b>ASSY PCB MAIN(OPT)</b>									
1		AA94-12173A	ASSY PCB MAIN(OPT);CS20S1Z,KS1A,BWT		2	R619	2001-000019	R-CARBON(S);100HM,5%,1/2W,AA,TP,2.4X6.4M	
2		HA68-02176A	LABEL,LABEL		2	R409	2001-000022	R-CARBON(S);330HM,5%,1/2W,AA,TP,2.4X6.4M	
2	D201	0401-000005	DIODE-SWITCHING;1N4148,100V,200mA,DO-35,		2	R823	2001-000037	R-CARBON(S);3300HM,5%,1/2W,AA,TP,2.4X6.4	
2	D811	0401-000005	DIODE-SWITCHING;1N4148,100V,200mA,DO-35,		2	R902	2001-000241	R-CARBON;1.5KOHM,5%,1/8W,AA,TP,1.8X3.2M	
2	D801S	0402-001111	DIODE-RECTIFIER;1N5397GP600V,1.5A,DO-20		2	R904	2001-000241	R-CARBON;1.5KOHM,5%,1/8W,AA,TP,1.8X3.2M	
2	D802S	0402-001111	DIODE-RECTIFIER;1N5397GP600V,1.5A,DO-20		2	R211	2001-000281	R-CARBON;1000HM,5%,1/8W,AA,TP,1.8X3.2MM	
2	D803S	0402-001111	DIODE-RECTIFIER;1N5397GP600V,1.5A,DO-20		2	R215	2001-000281	R-CARBON;1000HM,5%,1/8W,AA,TP,1.8X3.2MM	
2	D804S	0402-001111	DIODE-RECTIFIER;1N5397GP600V,1.5A,DO-20		2	R223	2001-000281	R-CARBON;1000HM,5%,1/8W,AA,TP,1.8X3.2MM	
2	D501	0402-000254	DIODE-RECTIFIER;RGP10J,600V,1A,DO-41,TP		2	R501	2001-000281	R-CARBON;1000HM,5%,1/8W,AA,TP,1.8X3.2MM	
2	D803	0402-000254	DIODE-RECTIFIER;RGP10J,600V,1A,DO-41,TP		2	R502	2001-000281	R-CARBON;1000HM,5%,1/8W,AA,TP,1.8X3.2MM	
2	D301	0402-001105	DIODE-RECTIFIER;ERB43-04SV1,400V,1.0A,-		2	R506	2001-000281	R-CARBON;1000HM,5%,1/8W,AA,TP,1.8X3.2MM	
2	D304	0402-001105	DIODE-RECTIFIER;ERB43-04SV1,400V,1.0A,-		2	R510	2001-000281	R-CARBON;1000HM,5%,1/8W,AA,TP,1.8X3.2MM	
2	D401	0402-001105	DIODE-RECTIFIER;ERB43-04SV1,400V,1.0A,-		2	R511	2001-000281	R-CARBON;1000HM,5%,1/8W,AA,TP,1.8X3.2MM	
2	D502	0402-001105	DIODE-RECTIFIER;ERB43-04SV1,400V,1.0A,-		2	R512	2001-000281	R-CARBON;1000HM,5%,1/8W,AA,TP,1.8X3.2MM	
2	D503	0402-001105	DIODE-RECTIFIER;ERB43-04SV1,400V,1.0A,-		2	R909	2001-000281	R-CARBON;1000HM,5%,1/8W,AA,TP,1.8X3.2MM	
2	D504	0402-001105	DIODE-RECTIFIER;ERB43-04SV1,400V,1.0A,-		2	R911	2001-000281	R-CARBON;1000HM,5%,1/8W,AA,TP,1.8X3.2MM	
2	D812	0402-001105	DIODE-RECTIFIER;ERB43-04SV1,400V,1.0A,-		2	R912	2001-000281	R-CARBON;1000HM,5%,1/8W,AA,TP,1.8X3.2MM	
2	D302	0402-001352	DIODE-RECTIFIER;GUF15G-20A,400V,1.5A,DO-		2	R913	2001-000281	R-CARBON;1000HM,5%,1/8W,AA,TP,1.8X3.2MM	
2	DZ402	0403-000508	DIODE-ZENER;MTZJ5.6B,5.6V,5.45-5.73V,500		2	R914	2001-000281	R-CARBON;1000HM,5%,1/8W,AA,TP,1.8X3.2MM	
2	DZ807	0403-000508	DIODE-ZENER;MTZJ5.6B,5.6V,5.45-5.73V,500		2	J137	2001-000281	R-CARBON;1000HM,5%,1/8W,AA,TP,1.8X3.2MM	
2	DZ810	0403-000508	DIODE-ZENER;MTZJ5.6B,5.6V,5.45-5.73V,500		2	R213	2001-000281	R-CARBON;1000HM,5%,1/8W,AA,TP,1.8X3.2MM	
2	DZ903	0403-000508	DIODE-ZENER;MTZJ5.6B,5.6V,5.45-5.73V,500		2	R933	2001-000281	R-CARBON;1000HM,5%,1/8W,AA,TP,1.8X3.2MM	
2	DZ904	0403-000508	DIODE-ZENER;MTZJ5.6B,5.6V,5.45-5.73V,500		2	R934	2001-000281	R-CARBON;1000HM,5%,1/8W,AA,TP,1.8X3.2MM	
2	DZ905	0403-000508	DIODE-ZENER;MTZJ5.6B,5.6V,5.45-5.73V,500		2	R708	2001-000281	R-CARBON;1000HM,5%,1/8W,AA,TP,1.8X3.2MM	
2	DZ901	0403-000508	DIODE-ZENER;MTZJ5.6B,5.6V,5.45-5.73V,500		2	R938	2001-000281	R-CARBON;1000HM,5%,1/8W,AA,TP,1.8X3.2MM	
2	DZ101	0403-000700	DIODE-ZENER;TZP33A,33V,31-35V,1W,DO-41,T		2	R224	2001-000290	R-CARBON;10KOHM,5%,1/8W,AA,TP,1.8X3.2MM	
2	DZ303	0403-000700	DIODE-ZENER;TZP33A,33V,31-35V,1W,DO-41,T		2	R828	2001-000290	R-CARBON;10KOHM,5%,1/8W,AA,TP,1.8X3.2MM	
2	DZ803	0403-000700	DIODE-ZENER;TZP33A,33V,31-35V,1W,DO-41,T		2	R910	2001-000290	R-CARBON;10KOHM,5%,1/8W,AA,TP,1.8X3.2MM	
2	DZ201	0403-000720	DIODE-ZENER;MTZJ9.1B,9.1V,8.57-9.01V,500		2	R920	2001-000290	R-CARBON;10KOHM,5%,1/8W,AA,TP,1.8X3.2MM	
2	DZ204	0403-000720	DIODE-ZENER;MTZJ9.1B,9.1V,8.57-9.01V,500		2	R922	2001-000290	R-CARBON;10KOHM,5%,1/8W,AA,TP,1.8X3.2MM	
2	DZ205	0403-000720	DIODE-ZENER;MTZJ9.1B,9.1V,8.57-9.01V,500		2	R921	2001-000290	R-CARBON;10KOHM,5%,1/8W,AA,TP,1.8X3.2MM	
2	DZ207	0403-000720	DIODE-ZENER;MTZJ9.1B,9.1V,8.57-9.01V,500		2	R919	2001-000290	R-CARBON;10KOHM,5%,1/8W,AA,TP,1.8X3.2MM	
2	DZ501	0403-000720	DIODE-ZENER;MTZJ9.1B,9.1V,8.57-9.01V,500		2	R230	2001-000290	R-CARBON;10KOHM,5%,1/8W,AA,TP,1.8X3.2MM	
2	DZ502	0403-000720	DIODE-ZENER;MTZJ9.1B,9.1V,8.57-9.01V,500		2	R225	2001-001035	R-CARBON;910HM,5%,1/8W,AA,TP,1.8X3.2MM	
2	DZ503	0403-000720	DIODE-ZENER;MTZJ9.1B,9.1V,8.57-9.01V,500		2	R918	2001-000429	R-CARBON;1KOHM,5%,1/8W,AA,TP,1.8X3.2MM	
2	DZ504	0403-000720	DIODE-ZENER;MTZJ9.1B,9.1V,8.57-9.01V,500		2	R926	2001-000429	R-CARBON;1KOHM,5%,1/8W,AA,TP,1.8X3.2MM	
2	DZ704	0403-000720	DIODE-ZENER;MTZJ9.1B,9.1V,8.57-9.01V,500		2	R210	2001-000429	R-CARBON;1KOHM,5%,1/8W,AA,TP,1.8X3.2MM	
2	DZ808	0403-000720	DIODE-ZENER;MTZJ9.1B,9.1V,8.57-9.01V,500		2	R717	2001-000429	R-CARBON;1KOHM,5%,1/8W,AA,TP,1.8X3.2MM	
2	DZ306	0403-000720	DIODE-ZENER;MTZJ9.1B,9.1V,8.57-9.01V,500		2	R916	2001-000449	R-CARBON;2.2KOHM,5%,1/8W,AA,TP,1.8X3.2M	
2	DZ307	0403-000720	DIODE-ZENER;MTZJ9.1B,9.1V,8.57-9.01V,500		2	R917	2001-000449	R-CARBON;2.2KOHM,5%,1/8W,AA,TP,1.8X3.2M	
2	DZ801	0403-001140	DIODE-ZENER;RD10ESAB-T4,10V,9.19-10.30V,		2	R220	2001-000472	R-CARBON;2.7KOHM,5%,1/8W,AA,TP,1.8X3.2M	
2	DZ302	0403-001221	DIODE-ZENER;UZ39BSB,35.36-37.19V,500mW,D		2	R901	2001-000472	R-CARBON;2.7KOHM,5%,1/8W,AA,TP,1.8X3.2M	
2	DZ806	0403-001317	DIODE-ZENER;MTZJ3.0B,3.01-3.22V,500mW,DO		2	R903	2001-000472	R-CARBON;2.7KOHM,5%,1/8W,AA,TP,1.8X3.2M	
2	DZ802	0403-001318	DIODE-ZENER;MTZJ4.3B,4.17-4.43V,500mW,DO		2	R908	2001-000472	R-CARBON;2.7KOHM,5%,1/8W,AA,TP,1.8X3.2M	
2	DZ203	0403-001322	DIODE-ZENER;MTZJ8.2B,7.78-8.19V,500mW,DO		2	R214	2001-000490	R-CARBON;2000HM,5%,1/8W,AA,TP,1.8X3.2MM	
2	DZ805	0403-001327	DIODE-ZENER;MTZJ18A,16.22-17.06V,500mW,DO		2	R206	2001-000563	R-CARBON;27KOHM,5%,1/8W,AA,TP,1.8X3.2MM	
2	DZ301	0403-001328	DIODE-ZENER;MTZJ22A,20.15-21.20V,500mW,D		2	R829	2001-000563	R-CARBON;27KOHM,5%,1/8W,AA,TP,1.8X3.2MM	
2	DZ305	0403-001328	DIODE-ZENER;MTZJ22A,20.15-21.20V,500mW,D		2	R929	2001-000563	R-CARBON;27KOHM,5%,1/8W,AA,TP,1.8X3.2MM	
2	Q201	0501-000283	TR-SMALL SIGNAL;KSA539,PNP,400mW,TO-92,T		2	R208	2001-000591	R-CARBON;3.3KOHM,5%,1/8W,AA,TP,1.8X3.2M	
2	Q901	0501-000283	TR-SMALL SIGNAL;KSA539,PNP,400mW,TO-92,T		2	R602	2001-000591	R-CARBON;3.3KOHM,5%,1/8W,AA,TP,1.8X3.2M	
2	Q206	0501-000283	TR-SMALL SIGNAL;KSA539,PNP,400mW,TO-92,T		2	R605	2001-000591	R-CARBON;3.3KOHM,5%,1/8W,AA,TP,1.8X3.2M	
2	Q402	0501-000369	TR-SMALL SIGNAL;KSC2331-Y,NPN,1000mW,TO-		2	R202	2001-000689	R-CARBON;390KOHM,5%,1/8W,AA,TP,1.8X3.2M	
2	Q202	0501-000389	TR-SMALL SIGNAL;KSC815,NPN,400mW,TO-92,T		2	R925	2001-000734	R-CARBON;4.7KOHM,5%,1/8W,AA,TP,1.8X3.2M	
2	Q205	0501-000389	TR-SMALL SIGNAL;KSC815,NPN,400mW,TO-92,T		2	R841	2001-000734	R-CARBON;4.7KOHM,5%,1/8W,AA,TP,1.8X3.2M	
2	Q701	0501-000389	TR-SMALL SIGNAL;KSC815,NPN,400mW,TO-92,T		2	R721	2001-000734	R-CARBON;4.7KOHM,5%,1/8W,AA,TP,1.8X3.2M	
2	Q903	0501-000389	TR-SMALL SIGNAL;KSC815,NPN,400mW,TO-92,T		2	R227	2001-000739	R-CARBON;4.7MOHM,5%,1/8W,AA,TP,1.8X3.2M	
2	Q905	0501-000389	TR-SMALL SIGNAL;KSC815,NPN,400mW,TO-92,T		2	R228	2001-000739	R-CARBON;4.7MOHM,5%,1/8W,AA,TP,1.8X3.2M	
2	Q702	0501-000389	TR-SMALL SIGNAL;KSC815,NPN,400mW,TO-92,T		2	R109	2001-000786	R-CARBON;47KOHM,5%,1/8W,AA,TP,1.8X3.2MM	
2	VX801S	1405-000187	VARISTOR;750V,1250A,12.5x7mm,TP		2	R704	2001-000786	R-CARBON;47KOHM,5%,1/8W,AA,TP,1.8X3.2MM	
2	R207	2001-000005	R-CARBON;390ohm,5%,1/8W,AA,TP,1.8x3.2mm		2	R209	2001-000793	R-CARBON;470HM,5%,1/8W,AA,TP,1.8X3.2MM	
2	R905	2001-000005	R-CARBON;390ohm,5%,1/8W,AA,TP,1.8x3.2mm		2	R927	2001-000793	R-CARBON;470HM,5%,1/8W,AA,TP,1.8X3.2MM	
2	R906	2001-000005	R-CARBON;390ohm,5%,1/8W,AA,TP,1.8x3.2mm		2	R203	2001-000857	R-CARBON;5600HM,5%,1/8W,AA,TP,1.8X3.2MM	
2	R218	2001-000008	R-CARBON;15KOHM,5%,1/8W,AA,TP,1.8X3.2MM		2	R204	2001-000857	R-CARBON;5600HM,5%,1/8W,AA,TP,1.8X3.2MM	
2	R205	2001-000011	R-CARBON;75KOHM,5%,1/8W,AA,TP,1.8X3.2MM		2	R713	2001-000857	R-CARBON;5600HM,5%,1/8W,AA,TP,1.8X3.2MM	
2	R301	2001-000016	R-CARBON(S);10HM,5%,1/2W,AA,TP,2.4X6.4MM		2	R715	2001-000857	R-CARBON;5600HM,5%,1/8W,AA,TP,1.8X3.2MM	
2	J125	2001-000016	R-CARBON(S);10HM,5%,1/2W,AA,TP,2.4X6.4MM		2	R110	2001-000924	R-CARBON;6800HM,5%,1/8W,AA,TP,1.8X3.2MM	
2	R843	2001-000019	R-CARBON(S);100HM,5%,1/2W,AA,TP,2.4X6.4M		2	R915	2001-000924	R-CARBON;6800HM,5%,1/8W,AA,TP,1.8X3.2MM	
2	R618	2001-000019	R-CARBON(S);100HM,5%,1/2W,AA,TP,2.4X6.4M		2	R108	2001-000947	R-CARBON;7.5KOHM,5%,1/8W,AA,TP,1.8X3.2M	
					2	R222	2001-000947	R-CARBON;7.5KOHM,5%,1/8W,AA,TP,1.8X3.2M	
					2	R702	2001-000969	R-CARBON;750HM,5%,1/8W,AA,TP,1.8X3.2MM	
					2	R719	2001-000969	R-CARBON;750HM,5%,1/8W,AA,TP,1.8X3.2MM	

Level	Loc. No.	Code No.	Description ; Specification	Remark
2	R720	2001-000969	R-CARBON;750HM,5%,1/8W,AA,TP1.8X3.2MM	
2	R701	2001-000969	R-CARBON;750HM,5%,1/8W,AA,TP1.8X3.2MM	
2	R408	2001-001037	R-CARBON(S);0.390HM,5%,1/2W,AA,TP2.4X6.4	
2	R504	2001-001062	R-CARBON(S);10MOHM,5%,1/2W,AA,TP2.4X6.4	
2	R414	2001-001078	R-CARBON(S);15KOHM,5%,1/2W,AA,TP2.4X6.4	
2	R806	2001-001108	R-CARBON(S);22KOHM,5%,1/2W,AA,TP2.4X6.4	
2	R411	2001-001114	R-CARBON(S);270OHM,5%,1/2W,AA,TP2.4X6.4	
2	R809	2001-001150	R-CARBON(S);470KOHM,5%,1/2W,AA,TP2.4X6.4	
2	R810	2001-001150	R-CARBON(S);470KOHM,5%,1/2W,AA,TP2.4X6.4	
2	R501M	2002-001008	R-COMPOSITION;1.8Kohm,10%,1/2W,AA,TP3.7	
2	R502M	2002-001008	R-COMPOSITION;1.8Kohm,10%,1/2W,AA,TP3.7	
2	R503	2002-001008	R-COMPOSITION;1.8Kohm,10%,1/2W,AA,TP3.7	
△	RX801S	2002-001011	R-COMPOSITION;3.3Mohm,5%,1/2W,AA,TP3.7x	
△	RY801S	2002-001012	R-COMPOSITION;8.2Mohm,5%,1/2W,AA,TP3.7x	
2	R827	2003-000652	R-METAL OXIDE(S);330ohm,5%,2W,AF,TP,4x12	
2	R316	2003-000652	R-METAL OXIDE(S);330ohm,5%,2W,AF,TP,4x12	
2	R403	2003-000784	R-METAL OXIDE(S);7.5Kohm,5%,2W,AF,TP,4x1	
2	R834	2003-001040	R-METAL OXIDE(S);47Kohm,5%,2W,AF,TP,3.9x	
2	R801	2003-002171	R-METAL OXIDE(S);150ohm,5%,2W,AG,TP,3.9x	
2	R402	2003-002178	R-METAL OXIDE(S);1Kohm,5%,2W,AG,TP,3.9x1	
2	R407	2003-002209	R-METAL OXIDE(S);47Kohm,5%,2W,AG,TP,3.9X	
2	R219	2004-001914	R-METAL;39Kohm,2%,1/8W,AA,TP1.8x3.5mm	
2	R817	2004-004089	R-METAL(S);123Kohm,1%,1/2W,AA,TP,2.5x6.5	
2	R304	2008-000253	R-FUSIBLE(S);0.47ohm,5%,1W,AF,TP,3.9x10m	
2	R305	2008-000253	R-FUSIBLE(S);0.47ohm,5%,1W,AF,TP,3.9x10m	
2	R825	2008-000266	R-FUSIBLE(S);1ohm,5%,2W,AF,TP,3.9x10mm	
2	R824	2008-000294	R-FUSIBLE(S);33ohm,5%,2W,AF,TP,3.9x10mm	
2	R420	2008-001110	R-FUSIBLE(S);68ohm,5%,2W,AG,TP,3.9X12mm	
2	C904	2201-000180	C-CERAMIC,DISC;10nF,10%,50V,Y5V,TP7x3.5	
2	C501	2201-000192	C-CERAMIC,DISC;0.01nF,0.25pF,500V,NP0,TP	
2	C302	2201-000259	C-CERAMIC,DISC;0.18nF,10%,500V,Y5PTP5.	
2	C303	2201-000556	C-CERAMIC,DISC;0.47nF,10%,500V,Y5PTP5.	
2	C305	2201-000556	C-CERAMIC,DISC;0.47nF,10%,500V,Y5PTP5.	
2	C908	2201-000573	C-CERAMIC,DISC;0.047nF,5%,50V,NP0,TP5x3	
2	C909	2201-000573	C-CERAMIC,DISC;0.047nF,5%,50V,NP0,TP5x3	
2	C408	2201-000599	C-CERAMIC,DISC;0.56nF,10%,500V,Y5PTP5.	
△	CR404S	2201-000639	C-CERAMIC,DISC;0.68nF,10%,2kV,Y5PTP9x5	
2	C811	2201-000991	C-CERAMIC,DISC;0.56nF,10%,2kV,Y5PTP,7.5	
2	C814	2201-000991	C-CERAMIC,DISC;0.56nF,10%,2kV,Y5PTP,7.5	
2	C503	2201-000723	C-CERAMIC,DISC;4.7nF,20%,3KV,Y5U,TP,16x5	
2	C703	2202-000121	C-CERAMIC,MLC-AXIAL;100pF,10%,50V,Y5PTP	
2	C704	2202-000121	C-CERAMIC,MLC-AXIAL;100pF,10%,50V,Y5PTP	
2	C106	2202-000127	C-CERAMIC,MLC-AXIAL;10nF,+80-20%,25V,Y5V	
2	C111	2202-000127	C-CERAMIC,MLC-AXIAL;10nF,+80-20%,25V,Y5V	
2	C223	2202-000796	C-CERAMIC,MLC-AXIAL;1NF,10%,50V,Y5PTP3	
2	C224	2202-000796	C-CERAMIC,MLC-AXIAL;1NF,10%,50V,Y5PTP3	
2	C906	2202-000796	C-CERAMIC,MLC-AXIAL;1NF,10%,50V,Y5PTP3	
2	C505	2202-000825	C-CERAMIC,MLC-AXIAL;680pF,10%,50V,Y5;TP	
2	C226	2202-000829	C-CERAMIC,MLC-AXIAL;0.82nF,10%,50V,Y5;TP	
2	C707	2301-000204	C-FILM,PEF;2.7nF,5%,50V,TP,7.4x3.9x13mm,	
2	C502	2301-000213	C-FILM,PEF;220nF,5%,250V,TP,21.5x11.7,5	
2	C109	2301-000224	C-FILM,PEF;22nF,5%,50V,TP,7.4x3.9x13mm,5	
2	C804	2301-000224	C-FILM,PEF;22nF,5%,50V,TP,7.4x3.9x13mm,5	
2	C805	2301-000235	C-FILM,PEF;3.9nF,5%,50V,TP,6.5x3.0x5.5mm	
2	C309	2301-000254	C-FILM,PEF;39nF,5%,50V,TP,7.5x3.5x6.5mm,	
2	C217	2301-000342	C-FILM,PEF;2.2nF,5%,50V,TP,7.4x3.9x13mm,	
2	C234	2301-000342	C-FILM,PEF;2.2nF,5%,50V,TP,7.4x3.9x13mm,	
2	C407	2301-000383	C-FILM,PEF;10nF,5%,50V,TP,6x7x3.2mm,5mm	
2	C227	2301-000445	C-FILM,PEF;4.7nF,5%,50V,TP,5.5x7x3mm,5mm	
2	C248	2301-000445	C-FILM,PEF;4.7nF,5%,50V,TP,5.5x7x3mm,5mm	
2	C420	2301-001065	C-FILM,MPPF;47nF,5%,630V,TP,19x15.5x7.7,	
2	C301	2305-000285	C-FILM,MPEF;220nF,5%,100V,TP,10.5X5.5X15	
2	C215	2305-000289	C-FILM,MPEF;220nF,5%,63V,TP,-,5mm	
2	C216	2305-000289	C-FILM,MPEF;220nF,5%,63V,TP,-,5mm	
2	C233	2305-000289	C-FILM,MPEF;220nF,5%,63V,TP,-,5mm	
2	C611	2305-000289	C-FILM,MPEF;220nF,5%,63V,TP,-,5mm	
2	C613	2305-000289	C-FILM,MPEF;220nF,5%,63V,TP,-,5mm	
2	C607	2305-000289	C-FILM,MPEF;220nF,5%,63V,TP,-,5mm	
2	C603	2305-000289	C-FILM,MPEF;220nF,5%,63V,TP,-,5mm	
△	CR405S	2305-000382	C-FILM,MPEF;4.7nF,5%,400V,TP,-,5mm	
2	C103	2305-000665	C-FILM,MPEF;100nF,5%,63V,TP,7.5x4.0x5.0m	
2	C208	2305-000665	C-FILM,MPEF;100nF,5%,63V,TP,7.5x4.0x5.0m	
2	C210	2305-000665	C-FILM,MPEF;100nF,5%,63V,TP,7.5x4.0x5.0m	
2	C230	2305-000665	C-FILM,MPEF;100nF,5%,63V,TP,7.5x4.0x5.0m	
2	C803	2305-000665	C-FILM,MPEF;100nF,5%,63V,TP,7.5x4.0x5.0m	
2	C819	2305-000665	C-FILM,MPEF;100nF,5%,63V,TP,7.5x4.0x5.0m	
2	C913	2305-000665	C-FILM,MPEF;100nF,5%,63V,TP,7.5x4.0x5.0m	

Level	Loc. No.	Code No.	Description ; Specification	Remark
2	C218	2305-000665	C-FILM,MPEF;100nF,5%,63V,TP,7.5x4.0x5.0m	
2	C618	2305-000665	C-FILM,MPEF;100nF,5%,63V,TP,7.5x4.0x5.0m	
2	C619	2305-000665	C-FILM,MPEF;100nF,5%,63V,TP,7.5x4.0x5.0m	
2	C225	2309-000138	C-FILM,PE-PFF;100nF,5%,50V,TP,20x16x8.5,	
2	C812	2401-000262	C-AL;100uF,20%,160V,HR,TP,16x25.7,5	
2	C817	2401-000302	C-AL;100uF,20%,25V,GP,TP,6.3x11,5	
2	C823	2401-000302	C-AL;100uF,20%,25V,GP,TP,6.3x11,5	
2	C915	2401-000302	C-AL;100uF,20%,25V,GP,TP,6.3x11,5	
2	C307	2401-000360	C-AL;100uF,20%,50V,GP,TP,8x11.5,5	
2	C308	2401-000360	C-AL;100uF,20%,50V,GP,TP,8x11.5,5	
2	C506	2401-000430	C-AL;10uF,20%,250V,GP,TP,10x16mm,5m	
2	C219	2401-000603	C-AL;1uF,20%,50V,GP,TP,5x11,5	
2	C212	2401-000660	C-AL;2.2uF,20%,50V,GP,TP,5x11,5	
2	C221	2401-000660	C-AL;2.2uF,20%,50V,GP,TP,5x11,5	
2	C605	2401-000660	C-AL;2.2uF,20%,50V,GP,TP,5x11,5	
2	C222	2401-000758	C-AL;220nF,20%,50V,GP,TP,5x11,5	
2	C827	2401-000927	C-AL;2.2uF,20%,250V,GP,TP,13x20,5	
2	C110	2401-000962	C-AL;22uF,20%,50V,GP,TP,5x11,5	
2	C101	2401-001101	C-AL;330uF,20%,16V,GP,TP,8x11.5,5	
2	C802	2401-001192	C-AL;33uF,20%,50V,GP,TP,6.3x11.5	
2	C504	2401-001232	C-AL;4.7uF,20%,250V,GP,TP,10x12.5,5	
2	C209	2401-001840	C-AL;100uF,20%,16V,GP,TP,6.3x11,5	
2	C213	2401-001840	C-AL;100uF,20%,16V,GP,TP,6.3x11,5	
2	C229	2401-001840	C-AL;100uF,20%,16V,GP,TP,6.3x11,5	
2	C903	2401-001840	C-AL;100uF,20%,16V,GP,TP,6.3x11,5	
2	C910	2401-001840	C-AL;100uF,20%,16V,GP,TP,6.3x11,5	
2	C705	2401-001989	C-AL;4.7uF,20%,50V,BP,TP,5x11,5	
2	C706	2401-001989	C-AL;4.7uF,20%,50V,BP,TP,5x11,5	
2	C601	2401-001998	C-AL;100uF,20%,25V,GP,TP,10x20,5mm	
2	C206	2401-002235	C-AL;10uF,20%,16V,GP,TP,5x11mm,5mm	
2	C220	2401-002235	C-AL;10uF,20%,16V,GP,TP,5x11mm,5mm	
2	C709	2401-002235	C-AL;10uF,20%,16V,GP,TP,5x11mm,5mm	
2	C304	2401-002288	C-AL;470uF,20%,25V,WT,TP,10x20,5	
2	C306	2401-002288	C-AL;470uF,20%,25V,WT,TP,10x20,5	
2	C813	2401-002290	C-AL;47uF,20%,160V,GP,TP,13x20,5	
2	C406	2401-002619	C-AL;47uF,20%,25V,GP,TP,5x11,5	
2	C214	2401-003102	C-AL;100uF,20%,10V,GP,TP,5x11,5	
2	L103	2701-000114	INDUCTOR-AXIAL;10uH,10%,2.5x3.4mm	
2	L202	2701-000114	INDUCTOR-AXIAL;10uH,10%,2.5x3.4mm	
2	L301	2701-000142	INDUCTOR-AXIAL;1uH,10%,2.5x3.4mm	
2	L302	2701-000142	INDUCTOR-AXIAL;1uH,10%,2.5x3.4mm	
2	L404	2701-000142	INDUCTOR-AXIAL;1uH,10%,2.5x3.4mm	
2	L903	2701-000158	INDUCTOR-AXIAL;22uH,10%,2.5x3.4mm	
2	L102	2701-000159	INDUCTOR-AXIAL;22uH,10%,4.2x9.8mm	
2	L201	2701-000159	INDUCTOR-AXIAL;22uH,10%,4.2x9.8mm	
2	L205	2701-000159	INDUCTOR-AXIAL;22uH,10%,4.2x9.8mm	
2	L405	2701-000159	INDUCTOR-AXIAL;22uH,10%,4.2x9.8mm	
2	L104	2701-000168	INDUCTOR-AXIAL;3.3uH,5%,2.5x3.4mm	
2	L902	2701-000180	INDUCTOR-AXIAL;33uH,5%,2.5x3.4mm	
2	L904	2701-000180	INDUCTOR-AXIAL;33uH,5%,2.5x3.4mm	
2	L703	2701-000184	INDUCTOR-AXIAL;4.7uH,10%,2.5x3.4mm	
2	L706	2701-000184	INDUCTOR-AXIAL;4.7uH,10%,2.5x3.4mm	
2	L204	2701-000184	INDUCTOR-AXIAL;4.7uH,10%,2.5x3.4mm	
2	X901	2801-003937	CRYSTAL-UNIT;12MHz,25ppm,28-AAM,30pF,300	
2	L806	2901-000297	FILTER-EMI ON BOARD;-,3A,-,-,3.5x5,TP-	
2	L808	2901-000297	FILTER-EMI ON BOARD;-,3A,-,-,3.5x5,TP-	
△	L403	2901-000297	FILTER-EMI ON BOARD;-,3A,-,-,3.5x5,TP-	
2	Z202	2903-001040	FILTER-CERAMIC;TR,5.5/6.0/6.5MHz,-,1dB-	
2	L802	3301-000287	CORE-FERRITE BEAD;AA,3.5x1.0x6.0mm,1500,	
2	L803	3301-000287	CORE-FERRITE BEAD;AA,3.5x1.0x6.0mm,1500,	
2	J910	3301-000287	CORE-FERRITE BEAD;AA,3.5x1.0x6.0mm,1500,	
2	SW901	3404-000244	SWITCH-TACT;15V,20mA,90-170gf,7.5x7mm,SP	
2	SW902	3404-000244	SWITCH-TACT;15V,20mA,90-170gf,7.5x7mm,SP	
2	SW903	3404-000244	SWITCH-TACT;15V,20mA,90-170gf,7.5x7mm,SP	
2	SW904	3404-000244	SWITCH-TACT;15V,20mA,90-170gf,7.5x7mm,SP	
2	SW905	3404-000244	SWITCH-TACT;15V,20mA,90-170gf,7.5x7mm,SP	
2	F801A	3602-000114	FUSE-HOLDER;-,30mohm	
2	F801B	3602-000114	FUSE-HOLDER;-,30mohm	
2	C107	3812-000219	WIRE-NO SHEATH CU;TCWA,300V,52mm(TAPING)	
2	C507	3812-000219	WIRE-NO SHEATH CU;TCWA,300V,52mm(TAPING)	
2	C508	3812-000219	WIRE-NO SHEATH CU;TCWA,300V,52mm(TAPING)	
2	D202	3812-000219	WIRE-NO SHEATH CU;TCWA,300V,52mm(TAPING)	
2	J102	3812-000219	WIRE-NO SHEATH CU;TCWA,300V,52mm(TAPING)	
2	J103	3812-000219	WIRE-NO SHEATH CU;TCWA,300V,52mm(TAPING)	
2	J104	3812-000219	WIRE-NO SHEATH CU;TCWA,300V,52mm(TAPING)	
2	J106	3812-000219	WIRE-NO SHEATH CU;TCWA,300V,52mm(TAPING)	
2	J107	3812-000219	WIRE-NO SHEATH CU;TCWA,300V,52mm(TAPING)	



Level	Loc. No.	Code No.	Description ; Specification	Remark	Level	Loc. No.	Code No.	Description ; Specification	Remark
2	EY829	AA60-40011A	K EYELET;ID2.0,OD2.8,BST		2	DZ908	0403-001319	DIODE-ZENER;MTZJ4.7C,4.68-4.93V,500mW,DO	
2	EY830	AA60-40011A	K EYELET;ID2.0,OD2.8,BST		2	R115	2001-000645	R-CARBON;330KOHM,5%,1/8W,AA,TP,1.8X3.2M	
2	EY833	AA60-40011A	K EYELET;ID2.0,OD2.8,BST		2	R116	2001-000319	R-CARBON;120KOHM,5%,1/8W,AA,TP,1.8X3.2M	
2	EY850	AA60-40011A	K EYELET;ID2.0,OD2.8,BST		2	R413	2003-000592	R-METAL OXIDE(S);22ohm,5%,2W,AF,TP,4x12m	
2	EY851	AA60-40011A	K EYELET;ID2.0,OD2.8,BST		2	C606	2301-000289	C-FILM,PEF;5.6nf,5%,50V,TP;7x6x3.5	
2	EY852	AA60-40011A	K EYELET;ID2.0,OD2.8,BST		2	C610	2301-000289	C-FILM,PEF;5.6nf,5%,50V,TP;7x6x3.5	
2	EY853	AA60-40011A	K EYELET;ID2.0,OD2.8,BST		2	R601	2001-000878	R-CARBON;6.2KOHM,5%,1/8W,AA,TP,1.8X3.2M	
2	EY860	AA60-40011A	K EYELET;ID2.0,OD2.8,BST		2	R607	2001-000878	R-CARBON;6.2KOHM,5%,1/8W,AA,TP,1.8X3.2M	
2	EY861	AA60-40011A	K EYELET;ID2.0,OD2.8,BST		2	R814	2003-002228	R-METAL OXIDE(S);0.47ohm,5%,2W,AG,TP,3.9	
2	EL301	AA60-40011B	K EYELET;ID2.2,OD3.2,BSP		2	R815	2003-002228	R-METAL OXIDE(S);0.47ohm,5%,2W,AG,TP,3.9	
2	EL302	AA60-40011B	K EYELET;ID2.2,OD3.2,BSP		2	C708	2401-000471	C-AL;10uf,20%,50V,BP,TP;5x11.5mm	
2	EL403	AA60-40011B	K EYELET;ID2.2,OD3.2,BSP		2	Q703	0504-000123	TR-DIGITAL;KSR1010,NPN,300mW,10K,TO-92,T	
2	EL404	AA60-40011B	K EYELET;ID2.2,OD3.2,BSP		2	R710	2001-000004	R-CARBON;200KOHM,5%,1/8W,AA,TP,1.8X3.2M	
2	EL407	AA60-40011B	K EYELET;ID2.2,OD3.2,BSP		△ 2	NT802S	1404-001045	THERMISTOR-NTC;4.7ohm,15%,2900K,35.0mW,T	
2	EL408	AA60-40011B	K EYELET;ID2.2,OD3.2,BSP		△ 2	P803S	1404-001156	THERMISTOR-PTC;90HM,+30%/-20%,220VRMS,27	
2	EL501	AA60-40011B	K EYELET;ID2.2,OD3.2,BSP		△ 2	CX801S	2306-000318	C-FILM,MPPF;220nf,20%,250V,TP,-22.5mm	
2	EL502	AA60-40011B	K EYELET;ID2.2,OD3.2,BSP		△ 2	SF101S	2904-001063	FILTER-SAW AV;38.9MHz,SIP5K,TP;18.5dB,B/	
2	EL601	AA60-40011B	K EYELET;ID2.2,OD3.2,BSP		△ 2	T401	AA26-50001B	TRANS-HORIZ DRIVE;---,7.1mH,---,102uH,	
2	EL602	AA60-40011B	K EYELET;ID2.2,OD3.2,BSP		△ 2	LX801S	AA29-30001D	FILTER LINE NOISE;SQ1913,-6.0MH,0.8A,-	
2	EL603	AA60-40011B	K EYELET;ID2.2,OD3.2,BSP		△ 2	TU01S	AA40-00077A	TUNER;TECC0949PL35A(S),PAL,181CH,38.	
2	EL604	AA60-40011B	K EYELET;ID2.2,OD3.2,BSP		2	LD901	AA96-00555A	ASSY LED GUIDE;---,UJEX-LD-030,GREEN	
2	EL801	AA60-40011B	K EYELET;ID2.2,OD3.2,BSP		2	IC501	AA96-00842A	ASSY H/S;VIDEO,AA62-30175D,TDA6107Q	
2	EL802	AA60-40011B	K EYELET;ID2.2,OD3.2,BSP		3	IC501	1201-001541	IC-VIDEO AMP;6107,ZSIP9P,-SINGLE,-PLA	
2	EL804	AA60-40011B	K EYELET;ID2.2,OD3.2,BSP		3	SCR501	6003-000334	SCREW-TAPTITE;RH,+2S,M3,L6,ZPC(YEL),SWR	
2	GT101	AA60-40014A	PIN-GT,ASSY,AUTO		3	H/S501	AA62-30175D	HEAT SINK-PS;---,SECC,T1.0,-.33X15X30 FT-2	
2	GT502	AA60-40014A	PIN-GT,ASSY,AUTO		△ 2	V999S	3704-001089	SOCKET-CRT;7P;22.5PI,12PI,SN,-	
2	GT802	AA60-40014A	PIN-GT,ASSY,AUTO		2	RM901	AA32-00015A	MODULE REMOCON;FRP-3521H31,38KHZ,940MM,M	
2	GT803	AA60-40014A	PIN-GT,ASSY,AUTO		△ 2	IC801S	AA96-00845A	ASSY H/S;POWER,AA62-30186B,KA500765R	
2	GT804	AA60-40014A	PIN-GT,ASSY,AUTO		△ 3	IC801	1203-001932	IC-PWM CONTROLLER;SQ0765,TO-220F;5P,185M	
2	GT805	AA60-40014A	PIN-GT,ASSY,AUTO		3	SCR801	6003-000333	SCREW-TAPTITE;RH,+2S,M3,L10,ZPC(YEL),SW	
2	GT806	AA60-40014A	PIN-GT,ASSY,AUTO		3	H/S801	AA62-30186B	HEAT SINK-ES;---,SILVER,171J + COVER-H	
2	GT501	AA60-40014A	PIN-GT,ASSY,AUTO		3		HA68-02189A	LABEL-WARNING;33MM,18MM,WHITE	
2	GT807	AA60-40014A	PIN-GT,ASSY,AUTO		3		0205-000129	GREASE-SILICON;SC102,JAPAN	
2	R424	2004-001402	R-METAL(S);6.8Kohm,1%,1/2W,AA,TP,2.4x6.4		△ 2	IC802	AA96-00846A	ASSY H/S;POWER,AA62-00055A,KA7632	
2	R423	2004-001373	R-METAL(S);100Kohm,1%,1/2W,AA,TP,2.4x6.4		△ 3	IC802	1203-001939	IC-POS.FIXED REG.;7632,SIP,10P,-PLASTI	
△ 2	FD801S	3601-001163	FUSE-AXIAL LEAD;125V,7A,-EPOXY,2.4X7.1M		3	H/S802	AA62-00055A	HEAT SINK-PS;---,T1.0,-.35*15*25,D1,---	
△ 2	D303	0402-000132	DIODE-RECTIFIER;1N4004,400V,1A,DO-41,TP		3	SCR802	6003-000334	SCREW-TAPTITE;RH,+2S,M3,L6,ZPC(YEL),SWR	
△ 2	D809	0402-000132	DIODE-RECTIFIER;1N4004,400V,1A,DO-41,TP		2	IC902	1103-001106	IC-EEPROM;C812C,1028x8Bit,DIP;8P,300MIL,	
2	C115	2202-000632	C-CERAMIC,MLC-AXIAL;100nf,20%,50V,Z5U,TP		△ 2	SW801S	3403-001107	SWITCH-PUSH;250V,5A,DPST,-KDC-A04	
2	C211	2202-000632	C-CERAMIC,MLC-AXIAL;100nf,20%,50V,Z5U,TP		2	Q401	0502-001160	TR-POWER;2SD2499,NPN,50000mW,TO-3P;BK,8	
2	C911	2202-000632	C-CERAMIC,MLC-AXIAL;100nf,20%,50V,Z5U,TP		2	JS701	3722-000497	JACK-PIN;4P;3.4mm,SN,BLK,-	
2	C822	2401-000711	C-AL;220uf,20%,25V,GP,TP;16x25.7.5		2	TOP	AA39-20010D	LEAD CONNECTOR-ASSY;1P,YFH800-01,S,400,	
2	C806	2301-001435	C-FILM,PPF;1.5nf,5%,1.2kV,TP;15x8x12.5mm		2	CN501	AA39-20620C	LEAD CONNECTOR-ASSY;9P,YBNH250-09,S,500	
2	C207	2305-000412	C-FILM,MPEF;470nf,5%,63V,TP,-5mm		2	IC301	AA96-00847A	ASSY H/S;AA62-00046A,LA7840	
2	C901	2305-000412	C-FILM,MPEF;470nf,5%,63V,TP,-5mm		3		1204-001483	IC-VERTICAL PROCESSOR;LA7840,SIP;7P;708MI	
2	C612	2401-000480	C-AL;10uf,20%,50V,GP,TP;5x11.5		3		AA62-00064A	HEAT SINK-PS;DP;---,AA62-00046A,---	
2	C820	2401-000480	C-AL;10uf,20%,50V,GP,TP;5x11.5		3		6003-000334	SCREW-TAPTITE;RH,+2S,M3,L6,ZPC(YEL),SWR	
2	C604	2401-000480	C-AL;10uf,20%,50V,GP,TP;5x11.5		3		0205-000129	GREASE-SILICON;SC102,JAPAN	
2	PCB	AA41-001316	PCB-MAIN;CS2139,FR-1.1L,G,1.6T,245X245,K		2	C801	2401-002221	C-AL;220uf,20%,450V,GP,ST;25x40,10	
2	C702	2202-000210	C-CERAMIC,MLC-AXIAL;270pf,10%,50V,Y5P,TP		△ 2	CR402S	2306-001004	C-FILM,MPPF;300nf,5%,400V,TP;26x14x21mm,	
△ 2	FP801S	3601-000281	FUSE-CARTRIDGE;250V,4A,TIME-LAG,GLASS,5.		△ 2	T444S	AA26-00116A	TRANS FBT;FSV-14A004H(S),CT15A8,3.24MH,1	
2	L807	2701-001030	INDUCTOR-AXIAL;43uH,10%,5x14mm		2	SUB	AA98-00079A	ASSY SUB PART;KS1A,MAIN(OPT),PAL,-	
2	L804	2701-001030	INDUCTOR-AXIAL;43uH,10%,5x14mm		3		0202-000008	SOLDER-WIRE;S63S-W3.0,S63S,D3,63Sn/37Pb,	
2	C403	2401-000560	C-AL;1uf,20%,160V,GP,TP;6.3x11.5		3		0202-000187	SOLDER-WIRE FLUX;-RS60S,D1,2.63Sn/37Pb	
2	R306	2004-001369	R-METAL(S);1.2Kohm,1%,1/2W,AA,TP,2.4x6.4		3		Q204-000442	SOLVENT;1M-1000,C3H7OH,96,-	
2	Z203	2903-000181	FILTER-CERAMIC;BR,5.5MHz,---,TP,TPS5.5		3		Q204-001024	FLUX;DF-98TVS,-20%,-	
△ 2	D804	0401-000006	DIODE-SWITCHING;BAV21,250V,250mA,DO-35,T		△ 2	LR401S	AA27-00053A	COIL LINEARITY;-193uH,DR10X10 C,4.35,7.	
△ 2	D805	0402-001470	DIODE-RECTIFIER;RU2BV1,800V,1A,DO-204AC,		△ 2	CR410S	2303-001015	C-FILM,PPF;5.5nf,5%,1.6kV,TP;29x9.5x17.2	
2	R808	2001-001138	R-CARBON(S);390OHM,5%,1/2W,AA,TP,2.4X6.4		2	IC601	AA96-00923A	ASSY H/S;AUDIO,AA62-00064A,TDA8944,BRK	
2	R831	2001-001088	R-CARBON(S);1KOHM,5%,1/2W,AA,TP,2.4X6.4M		3		0205-000129	GREASE-SILICON;SC102,JAPAN	
2	R405	2001-001116	R-CARBON(S);270HM,5%,1/2W,AA,TP,2.4X6.4M		3		1201-001741	IC-AUDIO AMP;TDA8944J,DBS,17P;937MIL,DUA	
2	C203	2401-002462	C-AL;33uf,20%,16V,GP,TP;5x11.5		3		6003-000334	SCREW-TAPTITE;RH,+2S,M3,L6,ZPC(YEL),SWR	
2	R811	2003-002239	R-METAL OXIDE(S);100KOHM,5%,2W,AF,TP;3.9		3		AA61-10162B	BRACKET-IC;-SBHG-1,T1.0,---,100	
2	R812	2003-002239	R-METAL OXIDE(S);100KOHM,5%,2W,AF,TP;3.9		3		AA62-00064A	HEAT SINK-PS;DP;---,AA62-00046A,---	
2	R302	2004-004366	R-METAL(S);1.3Kohm,1%,1/2W,AA,TP,2.5x6.5		2	LW01	AA27-40001M	COIL HORIZ. WIDTH;-180/480uH,SB-5S6202.	
2	R303	2008-001013	R-FUSIBLE(S);1.2ohm,5%,2W,AF,TP;3.9x10mm		2	CN703	3711-002646	CONNECTOR-HEADER;BOX,7P;1R,2.5mm,STRAIGH	
2	R421	2008-001015	R-FUSIBLE(S);1.5ohm,5%,2W,AF,TP;3.9x10mm		2	CN602	3711-002643	CONNECTOR-HEADER;BOX,4P;1R,2.5mm,STRAIGH	
2	R505	2008-001015	R-FUSIBLE(S);1.5ohm,5%,2W,AF,TP;3.9x10mm		△ 2	CY801S	2201-000446	C-CERAMIC,DISC;3.3nf,20%,400V,Y5U,TP;15x	
2	R840	2001-001122	R-CARBON(S);3.9KOHM,5%,1/2W,AA,TP,2.4X6.		△ 2	IC201S	AA09-00297A	IC MICOM;TDA9381/N2/3I,SPM-802EEN,64P,	
2	C818	2401-003028	C-AL;100uf,20%,25V,WT,TP;6.3x11.5		△ 2	T801S	AA26-00134A	TRANS SWITCHING;CS21S5T,160V-260V,PM2 P	
2	C821	2401-003028	C-AL;100uf,20%,25V,WT,TP;6.3x11.5		2	CN401	AA60-40012D	PIN-GT,ASSY;T1.6,6-12.5,-NYLON66	
2	R923	2001-000273	R-CARBON;100KOHM,5%,1/8W,AA,TP,1.8X3.2M		△ 2	D806	AA96-00922A	ASSY H/S;BRIDGE,AA62-00065A,D06U20S,KS	
2	C102	2202-000279	C-CERAMIC,MLC-AXIAL;47pf,5%,50V,SL,TP,3.		3		0205-000129	GREASE-SILICON;SC102,JAPAN	
2	DZ401	0403-001319	DIODE-ZENER;MTZJ4.7C,4.68-4.93V,500mW,DO		3		0402-001374	DIODE-RECTIFIER;FFPF06U20S,200V,6A,TO-22	
2	DZ906	0403-001319	DIODE-ZENER;MTZJ4.7C,4.68-4.93V,500mW,DO		3		6003-000334	SCREW-TAPTITE;RH,+2S,M3,L6,ZPC(YEL),SWR	
2	DZ907	0403-001319	DIODE-ZENER;MTZJ4.7C,4.68-4.93V,500mW,DO		3		AA62-00065A	HEAT SINK-PS;DP;---,AA62-00045A,---	

Level	Loc. No.	Code No.	Description ; Specification	Remark
-------	----------	----------	-----------------------------	--------

**REMOCON**

1	AA59-00104J	REMOCON;- ,TM59,SIM806E,25L/GRAY,EX,GR
---	-------------	--

**ASSY ETC-A/V FRONT**

1	AA95-03066A	ASSY ETC-A/V FRONT;20S1-21S1,KS1A
2	CN702	AA39-20070A LEAD CONNECTOR-ASSY;7P,YBNH025-07,67096
2		0202-000008 SOLDER-WIRE;S63S-W3.0,S63S,D3,63Sn/37Pb,
2		0202-000187 SOLDER-WIRE FLUX;- ,RS60S,D1,2,63Sn/37Pb
2		0204-001024 FLUX;DF-98TVS,- ,20%,-
2		0204-000442 SOLVENT;1M-1000,C3H7OH,96,-
2	JA702	3722-000506 JACK-PIN;2P,3.6mm,- ,AG
2	RED4	2701-000114 INDUCTOR-AXIAL;10uH,10%,2.5x3.4mm
2	CE06	2202-000121 C-CERAMIC,MLC-AXIAL;100pf,10%,50V,Y5P,TP
2	JE01	3812-000219 WIRE-NO SHEATH CU;TCWA,300V,52mm(TAPING)
2	JE02	3812-000219 WIRE-NO SHEATH CU;TCWA,300V,52mm(TAPING)
2	JE04	3812-000219 WIRE-NO SHEATH CU;TCWA,300V,52mm(TAPING)
2	RED5	3812-000219 WIRE-NO SHEATH CU;TCWA,300V,52mm(TAPING)
2	JE03	3812-000219 WIRE-NO SHEATH CU;TCWA,300V,52mm(TAPING)
2	PCB	AA41-10903B PCB-A/V FRONT;S15A,1L,FR-1,245x245x1.6T,
2		0203-001123 TAPE-PAPER;#53131,TO.15,W6.0,L200000,YEL

**ASSY CRT**

1	AA94-05857A	ASSY CRT;A48JLL90X02(W),450MG,20,ITC,0
2	AA03-00258A	CRT COLOR;A48JLL80X01,- ,380MG,2.3MH,28.0M
2	AA27-20003Y	COIL DEGAUSSING;- ,20,15.2ohm,28TL2170,E
2	AA98-70031A	ASSY TBC WIRE(P);DP,20,AA98-70014B,1P,TV
2	AA65-30107A	CLAMPER CORE-D,COIL-20-22 INCH,NYLON 66,
2	AA39-20518A	LEAD CONNECTOR-ASSY;6(4)P;YFH806-06,350

**ASSY-CABINET(COM)**

1	AA90-03628C	ASSY-CABINET(COM);KS1A,VL-1823,CS-BWT,20
2	CB+CF	6002-000515 SCREW-TAPPING;RH,+ ,2,M4,L15,ZPC(WHT),SWR
2	CB+RCA	6002-000515 SCREW-TAPPING;RH,+ ,2,M4,L15,ZPC(WHT),SWR
2	CRT+CF	AA60-10050Q SCREW-ASSY;- ,SWRCH18A,M5,L26.5,HH,+ ,WC,-
2		HA64-00044X CABINETBACK;20S1,VL-1823,SEH
3		AA81-00096A RESIN-A;VL-1823,G5433,A
3		HA83-00011A LP-RESIN;M BATCH,WILSON 6007-GY-60,GRY
3		AA63-60001L SPACER-FELT;- ,FELT,- ,BLK,TO.35,- ,150
2		HA68-02179A LABEL-RATING;58MM,53MM,WHITE
2	qms	HA83-00052A LP-TAPE-INK;WIDTH 55 MM
2	rating	HA83-00052A LP-TAPE-INK;WIDTH 55 MM
2		AA65-30008A CLAMPER CORE-CORD;- ,PE,HB,- ,BLK,-
2		AA65-30009A CLAMPER CORE-FBT;- ,ABS,VO,- ,BLK,-
2		AA65-30018A CLAMPER CORE-WIRE;DONG-A,NYLON-66,- ,,- ,
2		AA65-30110A CLAMPER CORE-WIRE;ALL MODEL,NYLON 66,V2,
2	CF+PCB	6003-001024 SCREW-TAPTITE;RWH,+ ,B,M4,L12,ZPC(YEL),SW
2		AA63-00604B COVER-AV;20S1,HIPS,HB,SV-704P
2		HA68-02177B LABEL-PQS;ALL,30MM,65MM,WHITE,AA68-02177

**ASSY-CABINET,FRONT**

1	HA91-05282A	ASSY-CABINET,FRONT;20S1,KS1A,HIPS,HB
2	KC+CF	6003-001019 SCREW-TAPTITE;RH,+ ,B,M4,L12,ZPC(BLK),SWR
2	SPK+CF	6003-001019 SCREW-TAPTITE;RH,+ ,B,M4,L12,ZPC(BLK),SWR
2		AA61-60003J SPRING ETC-CS;- ,SUS304,- ,OD6,N7,OD6,- ,
2		AA64-10790F KNOB POWER;20-21S1,ABS,HB,SEH
3		HA83-00040A LP-MARKING PAINT;METALLIC SILVER,SV-012
3		HA83-00011A LP-RESIN;M BATCH,WILSON 6007-GY-60,GRY
3		HA83-00006A LP-RESIN HIPS;- ,BAS495F,NTR,HB
2		AA64-70010B BADGE-BRAND;- ,AL,- ,L50,- ,SILVER,SS R20
2		AA65-30105A CLAMPER CORE-WIRE;ALL MODEL,NYLON 66,V2,
2		HA64-10789C KNOBCONTROL;20-21S1,ABS,HB,SEH
3		HA83-00006A LP-RESIN HIPS;- ,BAS495F,NTR,HB

Level	Loc. No.	Code No.	Description ; Specification	Remark
-------	----------	----------	-----------------------------	--------

3	HA83-00011A	LP-RESIN;M BATCH,WILSON 6007-GY-60,GRY
3	HA83-00040A	LP-MARKING PAINT;METALLIC SILVER,SV-012
2	AA64-00043S	CABINET-FRONT;20S1,HIPS,HB,SEH
3	HA83-00040A	LP-MARKING PAINT;METALLIC SILVER,SV-012
3	HA83-00021A	LP-MARKING PAINT;WHITE,TPC180
3	HA83-00006A	LP-RESIN HIPS;- ,BAS495F,NTR,HB
3	HA83-00011A	LP-RESIN;M BATCH,WILSON 6007-GY-60,GRY
2	HA83-00049A	LP-ADHESIVE-HM;12MM,NTR
2	3001-001005	SPEAKER;10W,80HM,91DB,140HZ
2	AA39-20505M	LEAD CONNECTOR-ASSY;4P,YSH025-04,REC,35
2	AA64-40513C	WINDOWV REMOCON;20-21S1,PC,SEH
3	HA83-00009A	LP-RESIN PC;LEXAN 121R,VIOLET
2	AA61-40113A	STOPPER-PCB;501H,HIPS,- ,HB,NTR,-
2	AA64-03081A	INDICATOR LED;20-21S1,CLR,SEH
3	HA83-00010A	LP-RESIN;OROGAS,VM-100 ZHN 2
2	AA64-40512X	DECORATION-FRONT;20S1,HIPS,HB,SEH
3	HA83-00040A	LP-MARKING PAINT;METALLIC SILVER,SV-012
3	HA83-00011A	LP-RESIN;M BATCH,WILSON 6007-GY-60,GRY
3	HA83-00006A	LP-RESIN HIPS;- ,BAS495F,NTR,HB

**ASSY PACKING**

1	AA90-03631A	ASSY PACKING;20S1
2	AA60-40006A	PIN-STAPLE;AUTO,33X17.8X2.4,H18,33X17.8X
2	HA69-01842A	CUSHION-SET;20S1,PS,C=0.02,SEH
3	HA83-00058A	LP-RESIN-EPS;- ,CHEIL SF-301V,WHT
2	HA69-00015M	PACKING CASE;20S1 CIS,D-1 BB,YEL,PROGUN
2	AA69-00744C	BAG-SHEET;- ,HDPE PE FOAM,TO.015,W1050,H9
2	HA68-02178A	LABEL-BOX;250MM,89MM,WHITE
2	HA83-00046A	LP-TAPE INK;WIDTH 105 MM

**ASSY POWER CORD**

1	AA96-01126A	ASSY POWER CORD;DPA,AA39-10001G,CP2,H/C25
2	AA39-10001G	CBF POWER CORD;- ,KKP-419C,KLCE-2F,2.286m
2	AA61-20284A	HOLDER;P-CORD,PP,- ,BLK,VO,KE-002

**ASSY ACCESSORY**

1	AA94-05289A	ASSY ACCESSORY;20-21,KS1A,XEK
2	4301-000120	BATTERY-MN;1.5V,- ,AA,14.5x50mm,-
2	HA83-00047A	LP-TAPEACETATE;TO.1MM,W20MM,L200MM
2	HA69-00276A	BAG VINYL;HDPE,TO.025,L400,W240,- ,W/O LO
2	HA68-00816B	CARD WARRANTY;RUSSINA,2,W/P 120G,BOTH FA
2	AA26-90001C	TRANS MATCHING;- ,300ohm/75ohm,PAL,40-890
2	AA42-00003A	ANT ROD;- ,3S,720mm,ABS,UL/CSA,-
2	HA68-02074A	MANUAL USERS;RUSS,A/P100(G),31P,145,19
2	HA68-02176A	LABEL LABEL
2	AA68-01120A	MANUAL SERVICE;- ,CIS,A4,6PAGE(FOLD),W/
2	AA68-02643A	MANUAL USERS;BWT,EST,A/P 100(G),145,205
2	AA68-02644A	MANUAL USERS;BWT,LATVA,P 100(G),145,20
2	AA68-02645A	MANUAL USERS;BWT,LITH,A/P 100(G),145,20

## 7-10 CS21F52TSXBWT

Level	Loc. No.	Code No.	Description ; Specification	Remark	Level	Loc. No.	Code No.	Description ; Specification	Remark
<b>ASSY PCB MAIN(OPT)</b>									
	1	AA94-12415A	ASSY PCB MAIN(OPT);CS21F5T,KS1A		2	J125	2001-000016	R-CARBON(S);10HM,5%,1/2W,AA,TP,2.4X6.4MM	
	2	HA68-02176A	LABEL;LABEL		2	R843	2001-000019	R-CARBON(S);100HM,5%,1/2W,AA,TP,2.4X6.4M	
	2	D201	0401-000005	DIODE-SWITCHING;1N4148,100V,200mA,DO-35,	2	R618	2001-000019	R-CARBON(S);100HM,5%,1/2W,AA,TP,2.4X6.4M	
△	2	D811	0401-000005	DIODE-RECTIFIER;1N4148,100V,200mA,DO-35,	2	R409	2001-000022	R-CARBON(S);330HM,5%,1/2W,AA,TP,2.4X6.4M	
	2	D501	0402-000254	DIODE-RECTIFIER;RGP10J,600V,1A,DO-41,TP	2	R823	2001-000037	R-CARBON(S);330OHM,5%,1/2W,AA,TP,2.4X6.4	
△	2	D803	0402-000254	DIODE-RECTIFIER;RGP10J,600V,1A,DO-41,TP	2	R902	2001-000241	R-CARBON;1.5KOHM,5%,1/8W,AA,TP,1.8X3.2M	
△	2	D807	0402-000493	DIODE-RECTIFIER;1R5GU41,400V,1.5A,DO-15L	2	R904	2001-000241	R-CARBON;1.5KOHM,5%,1/8W,AA,TP,1.8X3.2M	
	2	D301	0402-001105	DIODE-RECTIFIER;ERB43-04SV1,400V,1.0A,-	2	R211	2001-000281	R-CARBON;100OHM,5%,1/8W,AA,TP,1.8X3.2MM	
	2	D304	0402-001105	DIODE-RECTIFIER;ERB43-04SV1,400V,1.0A,-	2	R215	2001-000281	R-CARBON;100OHM,5%,1/8W,AA,TP,1.8X3.2MM	
△	2	D401	0402-001105	DIODE-RECTIFIER;ERB43-04SV1,400V,1.0A,-	2	R223	2001-000281	R-CARBON;100OHM,5%,1/8W,AA,TP,1.8X3.2MM	
	2	D502	0402-001105	DIODE-RECTIFIER;ERB43-04SV1,400V,1.0A,-	2	R501	2001-000281	R-CARBON;100OHM,5%,1/8W,AA,TP,1.8X3.2MM	
	2	D503	0402-001105	DIODE-RECTIFIER;ERB43-04SV1,400V,1.0A,-	2	R502	2001-000281	R-CARBON;100OHM,5%,1/8W,AA,TP,1.8X3.2MM	
	2	D504	0402-001105	DIODE-RECTIFIER;ERB43-04SV1,400V,1.0A,-	2	R506	2001-000281	R-CARBON;100OHM,5%,1/8W,AA,TP,1.8X3.2MM	
△	2	D812	0402-001105	DIODE-RECTIFIER;ERB43-04SV1,400V,1.0A,-	2	R510	2001-000281	R-CARBON;100OHM,5%,1/8W,AA,TP,1.8X3.2MM	
△	2	D801S	0402-001111	DIODE-RECTIFIER;1N5397GP,600V,1.5A,DO-20	2	R511	2001-000281	R-CARBON;100OHM,5%,1/8W,AA,TP,1.8X3.2MM	
△	2	D802S	0402-001111	DIODE-RECTIFIER;1N5397GP,600V,1.5A,DO-20	2	R512	2001-000281	R-CARBON;100OHM,5%,1/8W,AA,TP,1.8X3.2MM	
△	2	D803S	0402-001111	DIODE-RECTIFIER;1N5397GP,600V,1.5A,DO-20	2	R909	2001-000281	R-CARBON;100OHM,5%,1/8W,AA,TP,1.8X3.2MM	
△	2	D804S	0402-001111	DIODE-RECTIFIER;1N5397GP,600V,1.5A,DO-20	2	R911	2001-000281	R-CARBON;100OHM,5%,1/8W,AA,TP,1.8X3.2MM	
△	2	D303	0402-000132	DIODE-RECTIFIER;1N4004,400V,1A,DO-41,TP	2	R912	2001-000281	R-CARBON;100OHM,5%,1/8W,AA,TP,1.8X3.2MM	
△	2	D809	0402-000132	DIODE-RECTIFIER;1N4004,400V,1A,DO-41,TP	2	R913	2001-000281	R-CARBON;100OHM,5%,1/8W,AA,TP,1.8X3.2MM	
	2	D302	0402-001352	DIODE-RECTIFIER;GUF15G-20A,400V,1.5A,DO-	2	R914	2001-000281	R-CARBON;100OHM,5%,1/8W,AA,TP,1.8X3.2MM	
	2	DZ402	0403-000508	DIODE-ZENER;MTZJ5.6B,5.6V,5.45-5.73V,500	2	J137	2001-000281	R-CARBON;100OHM,5%,1/8W,AA,TP,1.8X3.2MM	
	2	DZ807	0403-000508	DIODE-ZENER;MTZJ5.6B,5.6V,5.45-5.73V,500	2	R213	2001-000281	R-CARBON;100OHM,5%,1/8W,AA,TP,1.8X3.2MM	
	2	DZ810	0403-000508	DIODE-ZENER;MTZJ5.6B,5.6V,5.45-5.73V,500	2	R933	2001-000281	R-CARBON;100OHM,5%,1/8W,AA,TP,1.8X3.2MM	
	2	DZ903	0403-000508	DIODE-ZENER;MTZJ5.6B,5.6V,5.45-5.73V,500	2	R934	2001-000281	R-CARBON;100OHM,5%,1/8W,AA,TP,1.8X3.2MM	
	2	DZ904	0403-000508	DIODE-ZENER;MTZJ5.6B,5.6V,5.45-5.73V,500	2	R708	2001-000281	R-CARBON;100OHM,5%,1/8W,AA,TP,1.8X3.2MM	
	2	DZ905	0403-000508	DIODE-ZENER;MTZJ5.6B,5.6V,5.45-5.73V,500	2	R938	2001-000281	R-CARBON;100OHM,5%,1/8W,AA,TP,1.8X3.2MM	
	2	DZ901	0403-000508	DIODE-ZENER;MTZJ5.6B,5.6V,5.45-5.73V,500	2	R224	2001-000290	R-CARBON;10KOHM,5%,1/8W,AA,TP,1.8X3.2MM	
	2	DZ101	0403-000700	DIODE-ZENER;TZP33A,33V,31-35V,1W,DO-41,T	2	R828	2001-000290	R-CARBON;10KOHM,5%,1/8W,AA,TP,1.8X3.2MM	
	2	DZ303	0403-000700	DIODE-ZENER;TZP33A,33V,31-35V,1W,DO-41,T	2	R910	2001-000290	R-CARBON;10KOHM,5%,1/8W,AA,TP,1.8X3.2MM	
	2	DZ803	0403-000700	DIODE-ZENER;TZP33A,33V,31-35V,1W,DO-41,T	2	R919	2001-000290	R-CARBON;10KOHM,5%,1/8W,AA,TP,1.8X3.2MM	
	2	DZ201	0403-000720	DIODE-ZENER;MTZJ9.1B,9.1V,8.57-9.01V,500	2	R920	2001-000290	R-CARBON;10KOHM,5%,1/8W,AA,TP,1.8X3.2MM	
	2	DZ204	0403-000720	DIODE-ZENER;MTZJ9.1B,9.1V,8.57-9.01V,500	2	R921	2001-000290	R-CARBON;10KOHM,5%,1/8W,AA,TP,1.8X3.2MM	
	2	DZ205	0403-000720	DIODE-ZENER;MTZJ9.1B,9.1V,8.57-9.01V,500	2	R922	2001-000290	R-CARBON;10KOHM,5%,1/8W,AA,TP,1.8X3.2MM	
	2	DZ207	0403-000720	DIODE-ZENER;MTZJ9.1B,9.1V,8.57-9.01V,500	2	R601	2001-000290	R-CARBON;10KOHM,5%,1/8W,AA,TP,1.8X3.2MM	
	2	DZ501	0403-000720	DIODE-ZENER;MTZJ9.1B,9.1V,8.57-9.01V,500	2	R230	2001-000290	R-CARBON;10KOHM,5%,1/8W,AA,TP,1.8X3.2MM	
	2	DZ502	0403-000720	DIODE-ZENER;MTZJ9.1B,9.1V,8.57-9.01V,500	2	R225	2001-001035	R-CARBON;910HM,5%,1/8W,AA,TP,1.8X3.2MM	
	2	DZ503	0403-000720	DIODE-ZENER;MTZJ9.1B,9.1V,8.57-9.01V,500	2	R918	2001-000429	R-CARBON;1KOHM,5%,1/8W,AA,TP,1.8X3.2MM	
	2	DZ504	0403-000720	DIODE-ZENER;MTZJ9.1B,9.1V,8.57-9.01V,500	2	R926	2001-000429	R-CARBON;1KOHM,5%,1/8W,AA,TP,1.8X3.2MM	
	2	DZ704	0403-000720	DIODE-ZENER;MTZJ9.1B,9.1V,8.57-9.01V,500	2	R210	2001-000429	R-CARBON;1KOHM,5%,1/8W,AA,TP,1.8X3.2MM	
	2	DZ808	0403-000720	DIODE-ZENER;MTZJ9.1B,9.1V,8.57-9.01V,500	2	R717	2001-000429	R-CARBON;1KOHM,5%,1/8W,AA,TP,1.8X3.2MM	
	2	DZ306	0403-000720	DIODE-ZENER;MTZJ9.1B,9.1V,8.57-9.01V,500	2	R916	2001-000449	R-CARBON;2.2KOHM,5%,1/8W,AA,TP,1.8X3.2M	
	2	DZ307	0403-000720	DIODE-ZENER;MTZJ9.1B,9.1V,8.57-9.01V,500	2	R917	2001-000449	R-CARBON;2.2KOHM,5%,1/8W,AA,TP,1.8X3.2M	
	2	DZ801	0403-001140	DIODE-ZENER;RD10ESAB-T4,10V,9.19-10.30V,	2	R220	2001-000472	R-CARBON;2.7KOHM,5%,1/8W,AA,TP,1.8X3.2M	
	2	DZ302	0403-001221	DIODE-ZENER;UZ39BSB,35.36-37.19V,500mW,D	2	R901	2001-000472	R-CARBON;2.7KOHM,5%,1/8W,AA,TP,1.8X3.2M	
	2	DZ806	0403-001317	DIODE-ZENER;MTZJ3.0B,3.01-3.22V,500mW,DO	2	R903	2001-000472	R-CARBON;2.7KOHM,5%,1/8W,AA,TP,1.8X3.2M	
	2	DZ802	0403-001318	DIODE-ZENER;MTZJ4.3B,4.17-4.43V,500mW,DO	2	R907	2001-000472	R-CARBON;2.7KOHM,5%,1/8W,AA,TP,1.8X3.2M	
	2	DZ203	0403-001322	DIODE-ZENER;MTZJ8.2B,7.78-8.19V,500mW,DO	2	R908	2001-000472	R-CARBON;2.7KOHM,5%,1/8W,AA,TP,1.8X3.2M	
	2	DZ805	0403-001327	DIODE-ZENER;MTZJ18A,16.22-17.06V,500mW,D	2	R214	2001-000490	R-CARBON;200OHM,5%,1/8W,AA,TP,1.8X3.2MM	
	2	DZ301	0403-001328	DIODE-ZENER;MTZJ22A,20.15-21.20V,500mW,D	2	R206	2001-000563	R-CARBON;27KOHM,5%,1/8W,AA,TP,1.8X3.2MM	
	2	DZ305	0403-001328	DIODE-ZENER;MTZJ22A,20.15-21.20V,500mW,D	2	R829	2001-000563	R-CARBON;27KOHM,5%,1/8W,AA,TP,1.8X3.2MM	
	2	Q201	0501-000283	TR-SMALL SIGNAL;KSA539,PNP,400mW,TO-92,T	2	R929	2001-000563	R-CARBON;27KOHM,5%,1/8W,AA,TP,1.8X3.2MM	
	2	Q901	0501-000283	TR-SMALL SIGNAL;KSA539,PNP,400mW,TO-92,T	2	R208	2001-000591	R-CARBON;3.3KOHM,5%,1/8W,AA,TP,1.8X3.2M	
	2	Q206	0501-000283	TR-SMALL SIGNAL;KSA539,PNP,400mW,TO-92,T	2	R202	2001-000689	R-CARBON;390KOHM,5%,1/8W,AA,TP,1.8X3.2M	
	2	Q402	0501-000369	TR-SMALL SIGNAL;KSC2331-Y,NPN,1000mW,TO-	2	R925	2001-000734	R-CARBON;4.7KOHM,5%,1/8W,AA,TP,1.8X3.2M	
	2	Q202	0501-000389	TR-SMALL SIGNAL;KSC815,NPN,400mW,TO-92,T	2	R841	2001-000734	R-CARBON;4.7KOHM,5%,1/8W,AA,TP,1.8X3.2M	
	2	Q205	0501-000389	TR-SMALL SIGNAL;KSC815,NPN,400mW,TO-92,T	2	R602	2001-000734	R-CARBON;4.7KOHM,5%,1/8W,AA,TP,1.8X3.2M	
	2	Q903	0501-000389	TR-SMALL SIGNAL;KSC815,NPN,400mW,TO-92,T	2	R721	2001-000734	R-CARBON;4.7KOHM,5%,1/8W,AA,TP,1.8X3.2M	
	2	Q905	0501-000389	TR-SMALL SIGNAL;KSC815,NPN,400mW,TO-92,T	2	R227	2001-000739	R-CARBON;4.7MOHM,5%,1/8W,AA,TP,1.8X3.2M	
	2	Q701	0501-000389	TR-SMALL SIGNAL;KSC815,NPN,400mW,TO-92,T	2	R228	2001-000739	R-CARBON;4.7MOHM,5%,1/8W,AA,TP,1.8X3.2M	
	2	Q702	0501-000389	TR-SMALL SIGNAL;KSC815,NPN,400mW,TO-92,T	2	R109	2001-000786	R-CARBON;47KOHM,5%,1/8W,AA,TP,1.8X3.2MM	
△	2	VX801S	1405-000187	VARISTOR;750V,1250A,12.5x7mm,TP	2	R704	2001-000786	R-CARBON;47KOHM,5%,1/8W,AA,TP,1.8X3.2MM	
	2	R207	2001-000005	R-CARBON;390ohm,5%,1/8W,AA,TP,1.8X3.2mm	2	R209	2001-000793	R-CARBON;470HM,5%,1/8W,AA,TP,1.8X3.2MM	
	2	R905	2001-000005	R-CARBON;390ohm,5%,1/8W,AA,TP,1.8X3.2mm	2	R927	2001-000793	R-CARBON;470HM,5%,1/8W,AA,TP,1.8X3.2MM	
	2	R906	2001-000005	R-CARBON;390ohm,5%,1/8W,AA,TP,1.8X3.2mm	2	R203	2001-000857	R-CARBON;560OHM,5%,1/8W,AA,TP,1.8X3.2MM	
	2	R218	2001-000008	R-CARBON;15KOHM,5%,1/8W,AA,TP,1.8X3.2MM	2	R204	2001-000857	R-CARBON;560OHM,5%,1/8W,AA,TP,1.8X3.2MM	
	2	R205	2001-000011	R-CARBON;75KOHM,5%,1/8W,AA,TP,1.8X3.2MM	2	R713	2001-000857	R-CARBON;560OHM,5%,1/8W,AA,TP,1.8X3.2MM	
	2	R301	2001-000016	R-CARBON(S);10HM,5%,1/2W,AA,TP,2.4X6.4MM	2	R715	2001-000857	R-CARBON;560OHM,5%,1/8W,AA,TP,1.8X3.2MM	
					2	R110	2001-000924	R-CARBON;680OHM,5%,1/8W,AA,TP,1.8X3.2MM	
					2	R915	2001-000924	R-CARBON;680OHM,5%,1/8W,AA,TP,1.8X3.2MM	
					2	R108	2001-000947	R-CARBON;7.5KOHM,5%,1/8W,AA,TP,1.8X3.2M	
					2	R222	2001-000947	R-CARBON;7.5KOHM,5%,1/8W,AA,TP,1.8X3.2M	

Level	Loc. No.	Code No.	Description ; Specification	Remark	Level	Loc. No.	Code No.	Description ; Specification	Remark
2	R702	2001-000969	R-CARBON;750HM,5%,1/8W,AA,TP1.8X3.2MM		2	C611	2305-000289	C-FILM,MPEF;220nF5%,63V,TP,-5mm	
2	R719	2001-000969	R-CARBON;750HM,5%,1/8W,AA,TP1.8X3.2MM		△ 2	CR405S	2305-000382	C-FILM,MPEF;4.7nF5%,400V,TP,-5mm	
2	R720	2001-000969	R-CARBON;750HM,5%,1/8W,AA,TP1.8X3.2MM		2	C207	2305-000412	C-FILM,MPEF;470nF5%,63V,TP,-5mm	
2	R701	2001-000969	R-CARBON;750HM,5%,1/8W,AA,TP1.8X3.2MM		2	C901	2305-000412	C-FILM,MPEF;470nF5%,63V,TP,-5mm	
2	R408	2001-001037	R-CARBON(S);0.390HM,5%,1/2W,AA,TP2.4X6.4		2	C103	2305-000665	C-FILM,MPEF;100nF5%,63V,TP;7.5x4.0x5.0mm	
2	R504	2001-001062	R-CARBON(S);10MOHM,5%,1/2W,AA,TP2.4X6.4		2	C208	2305-000665	C-FILM,MPEF;100nF5%,63V,TP;7.5x4.0x5.0mm	
2	R414	2001-001078	R-CARBON(S);15KOHM,5%,1/2W,AA,TP2.4X6.4		2	C210	2305-000665	C-FILM,MPEF;100nF5%,63V,TP;7.5x4.0x5.0mm	
2	R806	2001-001108	R-CARBON(S);22KOHM,5%,1/2W,AA,TP2.4X6.4		2	C218	2305-000665	C-FILM,MPEF;100nF5%,63V,TP;7.5x4.0x5.0mm	
2	R411	2001-001114	R-CARBON(S);270OHM,5%,1/2W,AA,TP2.4X6.4		2	C230	2305-000665	C-FILM,MPEF;100nF5%,63V,TP;7.5x4.0x5.0mm	
2	R809	2001-001150	R-CARBON(S);470KOHM,5%,1/2W,AA,TP2.4X6.4		2	C803	2305-000665	C-FILM,MPEF;100nF5%,63V,TP;7.5x4.0x5.0mm	
2	R810	2001-001150	R-CARBON(S);470KOHM,5%,1/2W,AA,TP2.4X6.4		2	C819	2305-000665	C-FILM,MPEF;100nF5%,63V,TP;7.5x4.0x5.0mm	
2	R501H	2002-001008	R-COMPOSITION;1.8Kohm,10%,1/2W,AA,TP3.7		2	C913	2305-000665	C-FILM,MPEF;100nF5%,63V,TP;7.5x4.0x5.0mm	
2	R502H	2002-001008	R-COMPOSITION;1.8Kohm,10%,1/2W,AA,TP3.7		2	C618	2305-000665	C-FILM,MPEF;100nF5%,63V,TP;7.5x4.0x5.0mm	
2	R503	2002-001008	R-COMPOSITION;1.8Kohm,10%,1/2W,AA,TP3.7		2	C225	2309-000138	C-FILM,PE-PFF;100nF5%,50V,TP;20x16x8.5	
△ 2	RX801S	2002-001011	R-COMPOSITION;3.3Mohm,5%,1/2W,AA,TP3.7x		2	C812	2401-000262	C-AL;100uF,20%,160V,HR,TP;16x25,7.5	
△ 2	RY801S	2002-001012	R-COMPOSITION;8.2Mohm,5%,1/2W,AA,TP3.7x		2	C817	2401-000302	C-AL;100uF,20%,25V,GP,TP6.3x11,5	
2	R827	2003-000652	R-METAL OXIDE(S);330ohm,5%,2W,AF,TP4x12		2	C823	2401-000302	C-AL;100uF,20%,25V,GP,TP6.3x11,5	
2	R403	2003-000784	R-METAL OXIDE(S);7.5Kohm,5%,2W,AF,TP4x1		2	C915	2401-000302	C-AL;100uF,20%,25V,GP,TP6.3x11,5	
2	R834	2003-001040	R-METAL OXIDE(S);47Kohm,5%,2W,AF,TP3.9x		2	C307	2401-000360	C-AL;100uF,20%,50V,GP,TP8x11,5,5	
2	R303	2008-001133	R-FUSIBLE(S);0.75ohm,5%,2W,AF,TP3.9x10mm		2	C308	2401-000360	C-AL;100uF,20%,50V,GP,TP8x11,5,5	
2	R801	2003-002171	R-METAL OXIDE(S);150ohm,5%,2W,AG,TP3.9x		2	C506	2401-000430	C-AL;10uF,20%,250V,GP,TP;10x16mm,5mm	
2	R402	2003-002178	R-METAL OXIDE(S);1Kohm,5%,2W,AG,TP3.9x1		2	C820	2401-000480	C-AL;10uF,20%,50V,GP,TP5x11,5	
2	R407	2003-002209	R-METAL OXIDE(S);47Kohm,5%,2W,AG,TP3.9X		2	C612	2401-000480	C-AL;10uF,20%,50V,GP,TP5x11,5	
2	R423	2004-001373	R-METAL(S);100Kohm,1%,1/2W,AA,TP2.4x6.4		2	C604	2401-000480	C-AL;10uF,20%,50V,GP,TP5x11,5	
2	R424	2004-001402	R-METAL(S);6.8Kohm,1%,1/2W,AA,TP2.4x6.4		2	C403	2401-000560	C-AL;1uF,20%,160V,GP,TP6.3x11,5	
2	R219	2004-001914	R-METAL;39Kohm,2%,1/8W,AA,TP1.8x3.5mm		2	C219	2401-000603	C-AL;1uF,20%,50V,GP,TP5x11,5	
2	R817	2004-004089	R-METAL(S);123Kohm,1%,1/2W,AA,TP2.5x6.5		2	C212	2401-000660	C-AL;2.2uF,20%,50V,GP,TP5x11,5	
2	R304	2008-000253	R-FUSIBLE(S);0.47ohm,5%,1W,AF,TP3.9x10mm		2	C221	2401-000660	C-AL;2.2uF,20%,50V,GP,TP5x11,5	
2	R305	2008-000253	R-FUSIBLE(S);0.47ohm,5%,1W,AF,TP3.9x10mm		2	C605	2401-000660	C-AL;2.2uF,20%,50V,GP,TP5x11,5	
2	R825	2008-000266	R-FUSIBLE(S);1ohm,5%,2W,AF,TP3.9x10mm		2	C222	2401-000758	C-AL;220nF,20%,50V,GP,TP5x11,5	
2	R824	2008-000294	R-FUSIBLE(S);33ohm,5%,2W,AF,TP3.9x10mm		2	C827	2401-000927	C-AL;22uF,20%,250V,GP,TP;13x20,5	
2	R420	2008-001110	R-FUSIBLE(S);68ohm,5%,2W,AG,TP3.9X12mm		2	C101	2401-001101	C-AL;330uF,20%,16V,GP,TP8x11,5,5	
2	C904	2201-000180	C-CERAMIC,DISC;10nF,10%,50V,Y5V,TP;3,5		2	C802	2401-001192	C-AL;33uF,20%,50V,GP,TP6.3x11,5	
2	C501	2201-000192	C-CERAMIC,DISC;0.01nF,0.25pF,500V,NP0,TP		2	C504	2401-001232	C-AL;4.7uF,20%,250V,GP,TP;10x12,5,5	
2	C302	2201-000259	C-CERAMIC,DISC;0.18nF,10%,500V,Y5P,TP5.		2	C209	2401-001840	C-AL;100uF,20%,16V,GP,TP6.3x11,5	
2	C303	2201-000556	C-CERAMIC,DISC;0.47nF,10%,500V,Y5P,TP5.		2	C213	2401-001840	C-AL;100uF,20%,16V,GP,TP6.3x11,5	
2	C305	2201-000556	C-CERAMIC,DISC;0.47nF,10%,500V,Y5P,TP5.		2	C229	2401-001840	C-AL;100uF,20%,16V,GP,TP6.3x11,5	
2	C908	2201-000573	C-CERAMIC,DISC;0.047nF,5%,50V,NP0,TP;5x3		2	C903	2401-001840	C-AL;100uF,20%,16V,GP,TP6.3x11,5	
2	C909	2201-000573	C-CERAMIC,DISC;0.047nF,5%,50V,NP0,TP;5x3		2	C910	2401-001840	C-AL;100uF,20%,16V,GP,TP6.3x11,5	
2	C408	2201-000599	C-CERAMIC,DISC;0.56nF,10%,500V,Y5P,TP5.		2	C705	2401-001989	C-AL;4.7uF,20%,50V,GP,TP5x11,5	
△ 2	CR404S	2201-000639	C-CERAMIC,DISC;0.68nF,10%,2kV,Y5P,TP;9x5		2	C706	2401-001989	C-AL;4.7uF,20%,50V,GP,TP5x11,5	
2	C503	2201-000723	C-CERAMIC,DISC;4.7nF,20%,3kV,Y5U,TP;16x5		2	C601	2401-001998	C-AL;100uF,20%,25V,GP,TP;10x20,5mm	
2	C811	2201-000991	C-CERAMIC,DISC;0.56nF,10%,2kV,Y5P,TP;7.5		2	C206	2401-002235	C-AL;10uF,20%,16V,GP,TP5x11mm,5mm	
2	C814	2201-000991	C-CERAMIC,DISC;0.56nF,10%,2kV,Y5P,TP;7.5		2	C220	2401-002235	C-AL;10uF,20%,16V,GP,TP5x11mm,5mm	
2	C704	2202-000121	C-CERAMIC,MLC-AXIAL;100pF,10%,50V,Y5P,TP		2	C709	2401-002235	C-AL;10uF,20%,16V,GP,TP5x11mm,5mm	
2	C703	2202-000121	C-CERAMIC,MLC-AXIAL;100pF,10%,50V,Y5P,TP		2	C304	2401-002288	C-AL;470uF,20%,25V,WT,TP;10x20,5	
2	C106	2202-000127	C-CERAMIC,MLC-AXIAL;10nF,+80-20%,25V,Y5V		2	C306	2401-002288	C-AL;470uF,20%,25V,WT,TP;10x20,5	
2	C111	2202-000127	C-CERAMIC,MLC-AXIAL;10nF,+80-20%,25V,Y5V		2	C813	2401-002290	C-AL;47uF,20%,160V,GP,TP;13x20,5	
2	C702	2202-000210	C-CERAMIC,MLC-AXIAL;270pF,10%,50V,Y5P,TP		2	C406	2401-002619	C-AL;47uF,20%,25V,GP,TP5x11,5	
2	C115	2202-000632	C-CERAMIC,MLC-AXIAL;100nF,20%,50V,Z5U,TP		2	C214	2401-003102	C-AL;100uF,20%,10V,GP,TP;5x11,5	
2	C211	2202-000632	C-CERAMIC,MLC-AXIAL;100nF,20%,50V,Z5U,TP		2	L103	2701-000114	INDUCTOR-AXIAL;10uH,10%,2.5x3.4mm	
2	C911	2202-000632	C-CERAMIC,MLC-AXIAL;100nF,20%,50V,Z5U,TP		2	L202	2701-000114	INDUCTOR-AXIAL;10uH,10%,2.5x3.4mm	
2	C223	2202-000796	C-CERAMIC,MLC-AXIAL;1NF,10%,50V,Y5P,TP3		2	L301	2701-000142	INDUCTOR-AXIAL;1uH,10%,2.5x3.4mm	
2	C224	2202-000796	C-CERAMIC,MLC-AXIAL;1NF,10%,50V,Y5P,TP3		2	L302	2701-000142	INDUCTOR-AXIAL;1uH,10%,2.5x3.4mm	
2	C906	2202-000796	C-CERAMIC,MLC-AXIAL;1NF,10%,50V,Y5P,TP3		2	L404	2701-000142	INDUCTOR-AXIAL;1uH,10%,2.5x3.4mm	
2	C505	2202-000825	C-CERAMIC,MLC-AXIAL;680pF,10%,50V,Y5P,TP		2	L903	2701-000158	INDUCTOR-AXIAL;22uH,10%,2.5x3.4mm	
2	C226	2202-000829	C-CERAMIC,MLC-AXIAL;0.82NF,10%,50V,Y5P,TP		2	L102	2701-000159	INDUCTOR-AXIAL;22uH,10%,4.2x9.8mm	
2	C707	2301-000204	C-FILM,PEF;2.7nF5%,50V,TP;7.4x3.9x13mm,		2	L201	2701-000159	INDUCTOR-AXIAL;22uH,10%,4.2x9.8mm	
2	C502	2301-000213	C-FILM,PEF;220nF5%,250V,TP;21.5x11,7,5		2	L205	2701-000159	INDUCTOR-AXIAL;22uH,10%,4.2x9.8mm	
2	C109	2301-000224	C-FILM,PEF;22nF5%,50V,TP;7.4x3.9x13mm,5		2	L405	2701-000159	INDUCTOR-AXIAL;22uH,10%,4.2x9.8mm	
2	C804	2301-000224	C-FILM,PEF;22nF5%,50V,TP;7.4x3.9x13mm,5		2	L104	2701-000168	INDUCTOR-AXIAL;3.3uH,5%,2.5x3.4mm	
2	C805	2301-000235	C-FILM,PEF;3.9nF5%,50V,TP;6.5x3.0x5.5mm		2	L902	2701-000180	INDUCTOR-AXIAL;33uH,5%,2.5x3.4mm	
2	C309	2301-000254	C-FILM,PEF;39nF5%,50V,TP;7.5x3.5x6.5mm,		2	L904	2701-000180	INDUCTOR-AXIAL;33uH,5%,2.5x3.4mm	
2	C606	2301-000111	C-FILM,PEF;1.8nF5%,50V,TP;6.5x3.0x5.5mm		2	L703	2701-000184	INDUCTOR-AXIAL;4.7uH,10%,2.5x3.4mm	
2	C217	2301-000342	C-FILM,PEF;2.2nF5%,50V,TP;7.4x3.9x13mm,		2	L706	2701-000184	INDUCTOR-AXIAL;4.7uH,10%,2.5x3.4mm	
2	C234	2301-000342	C-FILM,PEF;2.2nF5%,50V,TP;7.4x3.9x13mm,		2	L204	2701-000184	INDUCTOR-AXIAL;4.7uH,10%,2.5x3.4mm	
2	C407	2301-000383	C-FILM,PEF;10nF5%,50V,TP;6x7x3.2mm,5mm		2	X901	2801-003937	CRYSTAL-UNIT;12MHz,25ppm,28-AAM,30pF,300	
2	C227	2301-000445	C-FILM,PEF;4.7nF5%,50V,TP;5.5x7x3mm,5mm		2	L403	2901-000297	FILTER-EMI ON BOARD;-3A,-,3.5x5,TP,-	
2	C248	2301-000445	C-FILM,PEF;4.7nF5%,50V,TP;5.5x7x3mm,5mm		2	L806	2901-000297	FILTER-EMI ON BOARD;-3A,-,3.5x5,TP,-	
2	C420	2301-001065	C-FILM,MPPF;47nF5%,630V,TP;19x15.5x7,7.		2	L808	2901-000297	FILTER-EMI ON BOARD;-3A,-,3.5x5,TP,-	
2	C806	2301-001435	C-FILM,PPF;1.5nF5%,1.2kV,TP;15x8x12.5x7,7.		2	Z202	2903-001040	FILTER-CERAMIC;TR,5.5/6.0/6.5MHz,-,1dB,-	
2	C301	2305-000285	C-FILM,MPEF;220nF5%,100V,TP;10.5X5.5X15		2	J910	3301-000287	CORE-FERRITE BEAD;AA,3.5x1.0x6.0mm,1500,	
2	C215	2305-000289	C-FILM,MPEF;220nF5%,63V,TP,-5mm		2	L802	3301-000287	CORE-FERRITE BEAD;AA,3.5x1.0x6.0mm,1500,	
2	C216	2305-000289	C-FILM,MPEF;220nF5%,63V,TP,-5mm		2	L803	3301-000287	CORE-FERRITE BEAD;AA,3.5x1.0x6.0mm,1500,	
2	C233	2305-000289	C-FILM,MPEF;220nF5%,63V,TP,-5mm		2	SW901	3404-000244	SWITCH-TACT;15V,20mA,90-170gf,7.5x7mm,SP	
2	C613	2305-000289	C-FILM,MPEF;220nF5%,63V,TP,-5mm		2	SW902	3404-000244	SWITCH-TACT;15V,20mA,90-170gf,7.5x7mm,SP	





Level	Loc. No.	Code No.	Description ; Specification	Remark	Level	Loc. No.	Code No.	Description ; Specification	Remark	
2	EY810	AA60-40011A	K EYELET;ID2.0,OD2.8,BST		2	R115	2001-000645	R-CARBON;330KOHM,5%,1/8W,AA,TP,1.8X3.2M		
2	EY813	AA60-40011A	K EYELET;ID2.0,OD2.8,BST		2	R116	2001-000319	R-CARBON;120KOHM,5%,1/8W,AA,TP,1.8X3.2M		
2	EY818	AA60-40011A	K EYELET;ID2.0,OD2.8,BST		2	R413	2003-000592	R-METAL OXIDE(S);220ohm,5%,2W,AF,TP,4x12m		
2	EY819	AA60-40011A	K EYELET;ID2.0,OD2.8,BST		2	C708	2401-000471	C-AL;100uF,20%,50V,BPTP5x11,5mm		
2	EY821	AA60-40011A	K EYELET;ID2.0,OD2.8,BST		2	Q703	0504-000123	TR-DIGITAL;KSR1010,NPN,300mW,10K,TO-92,T		
2	EY822	AA60-40011A	K EYELET;ID2.0,OD2.8,BST		2	R710	2001-000004	R-CARBON;200KOHM,5%,1/8W,AA,TP,1.8X3.2M		
2	EY823	AA60-40011A	K EYELET;ID2.0,OD2.8,BST		2	R315	2003-001018	R-METAL OXIDE(S);220ohm,5%,2W,AF,TP,3.9x		
2	EY824	AA60-40011A	K EYELET;ID2.0,OD2.8,BST		2	R316	2003-001018	R-METAL OXIDE(S);220ohm,5%,2W,AF,TP,3.9x		
2	EY825	AA60-40011A	K EYELET;ID2.0,OD2.8,BST		△	2	NT802S	1404-001045	THERMISTOR-NTC;4.7ohm,15%,2900K,35.0mW,T	
2	EY827	AA60-40011A	K EYELET;ID2.0,OD2.8,BST		△	2	P803S	1404-001156	THERMISTOR-PTC;90HM,+30%/-20%,220VRMS,27	
2	EY828	AA60-40011A	K EYELET;ID2.0,OD2.8,BST		△	2	CX801S	2306-000318	C-FILM,MPPF;220nF,20%,250V,TP,-22.5mm	
2	EY829	AA60-40011A	K EYELET;ID2.0,OD2.8,BST		△	2	SF101S	2904-001063	FILTER-SAW AV;38.9MHz,SIP5K,TP,18.5dB,B/	
2	EY830	AA60-40011A	K EYELET;ID2.0,OD2.8,BST		△	2	T401	AA26-50001B	TRANS-HORIZ.DRIVE;-,7.1mH,-,102uH,	
2	EY833	AA60-40011A	K EYELET;ID2.0,OD2.8,BST		△	2	LX801S	AA29-30001D	FILTER LINE NOISE;SQ1913,-,6.0MH,0.8A,-	
2	EY850	AA60-40011A	K EYELET;ID2.0,OD2.8,BST		△	2	TU01S	AA40-00077A	TUNER;TECC0949PL35A(S),PAL,181CH,38.	
2	EY851	AA60-40011A	K EYELET;ID2.0,OD2.8,BST		2	LD901	AA96-00555A	ASSY LED GUIDE;-,UJEX-LD-030,GREEN		
2	EY852	AA60-40011A	K EYELET;ID2.0,OD2.8,BST		2	IC501	AA96-00842A	ASSY H/S;,VIDEO,AA62-30175D,TD6107Q		
2	EY853	AA60-40011A	K EYELET;ID2.0,OD2.8,BST		3	IC501	1201-001541	IC-VIDEO AMP;6107,ZSIP9P,-,SINGLE,-,PLA		
2	EY860	AA60-40011A	K EYELET;ID2.0,OD2.8,BST		3	SCR501	6003-000334	SCREW-TAPTITE,RH,+2S,M3,L6,ZPC(YEL),SWR		
2	EY861	AA60-40011A	K EYELET;ID2.0,OD2.8,BST		3	H/S501	AA62-30175D	HEAT SINK-PS;-SECC,T1.0,-,33X15X30 FT-2		
2	EL301	AA60-40011B	K EYELET;ID2.0,OD3.2,BSP		△	2	V999S	3704-001105	SOCKET-CRT;11P20PI,26.5PI,NL,-	
2	EL302	AA60-40011B	K EYELET;ID2.2,OD3.2,BSP		2	RM901	AA32-00015A	MODULE REMOCON;FRP-3521H31,38KHZ,940MM,M		
2	EL403	AA60-40011B	K EYELET;ID2.2,OD3.2,BSP		△	2	IC801S	AA96-00845A	ASSY H/S;,POWER,AA62-30186B,KA500765R	
2	EL404	AA60-40011B	K EYELET;ID2.2,OD3.2,BSP		△	3	IC801	1203-001932	IC-PWM CONTROLLER;500765,TO-220F,5P,185M	
2	EL407	AA60-40011B	K EYELET;ID2.2,OD3.2,BSP		3	SCR801	6003-000333	SCREW-TAPTITE,RH,+2S,M3,L10,ZPC(YEL),SW		
2	EL408	AA60-40011B	K EYELET;ID2.2,OD3.2,BSP		3	H/S801	AA62-30186B	HEAT SINK-ES;-SILVER,171J + COVER-H		
2	EL501	AA60-40011B	K EYELET;ID2.2,OD3.2,BSP		3		HA68-02189A	LABEL-WARNING;33MM,18MM,WHITE		
2	EL502	AA60-40011B	K EYELET;ID2.2,OD3.2,BSP		3		0205-000129	GREASE-SILICON;SC102,JAPAN		
2	EL601	AA60-40011B	K EYELET;ID2.2,OD3.2,BSP		△	2	IC802	AA96-00846A	ASSY H/S;,POWER,AA62-00055A,KA7632	
2	EL602	AA60-40011B	K EYELET;ID2.2,OD3.2,BSP		△	3	IC802	1203-001939	IC-POSI.FIXED REG.;7632,SIP,10P,-,PLASTI	
2	EL603	AA60-40011B	K EYELET;ID2.2,OD3.2,BSP		3	H/S802	AA62-00055A	HEAT SINK-PS;-T1.0,-,35*15*25,D1,-,		
2	EL604	AA60-40011B	K EYELET;ID2.2,OD3.2,BSP		3	SCR802	6003-000334	SCREW-TAPTITE,RH,+2S,M3,L6,ZPC(YEL),SWR		
2	EL801	AA60-40011B	K EYELET;ID2.2,OD3.2,BSP		2	IC902	1103-001106	IC-EEPROM;C81DC,1028x8BIT,DIP8P,300MIL,		
2	EL802	AA60-40011B	K EYELET;ID2.2,OD3.2,BSP		△	2	SW801S	3403-001107	SWITCH-PUSH;250V,5A,DPST,-,KDC-A04	
2	EL804	AA60-40011B	K EYELET;ID2.2,OD3.2,BSP		2	Q401	0502-001160	TR-POWER;2SD2499,NPN,50000mW,TO-3P,BK,8		
2	GT101	AA60-40014A	PIN-GT,ASSY,AUTO		2	JS701	3722-000497	JACK-PIN;4P3.4mm,SN,BLK,-		
2	GT502	AA60-40014A	PIN-GT,ASSY,AUTO		2	TOP	AA39-20010D	LEAD CONNECTOR-ASSY;,1PYFH800-01,S,400,		
2	GT802	AA60-40014A	PIN-GT,ASSY,AUTO		2	CN501	AA39-20620C	LEAD CONNECTOR-ASSY;,9PYBNH250-09,S,500		
2	GT803	AA60-40014A	PIN-GT,ASSY,AUTO		2	IC301	AA96-00847A	ASSY H/S;,AA62-00046A,LA7840		
2	GT804	AA60-40014A	PIN-GT,ASSY,AUTO		3		1204-001483	IC-VERTICAL PROCESSO;LA7840,SIP,7P;708MI		
2	GT805	AA60-40014A	PIN-GT,ASSY,AUTO		3		AA62-00064A	HEAT SINK-PS;DP,-,AA62-00046A,-,-,		
2	GT806	AA60-40014A	PIN-GT,ASSY,AUTO		3		6003-000334	SCREW-TAPTITE,RH,+2S,M3,L6,ZPC(YEL),SWR		
2	GT501	AA60-40014A	PIN-GT,ASSY,AUTO		3		0205-000129	GREASE-SILICON;SC102,JAPAN		
2	GT807	AA60-40014A	PIN-GT,ASSY,AUTO		2	C801	2401-002221	C-AL;220uF,20%,450V,GPST,25x40,10		
2	R505	2008-001011	R-FUSIBLE(S);0.18ohm,10%,2W,AF,TP,3.9x10		△	2	CR402S	2306-000350	C-FILM,MPPF;270nF,5%,400V,TP,26X18.5X10M	
2	R814	2008-001086	R-FUSIBLE(S);3.3ohm,5%,2W,AG,TP,3.9x12mm		△	2	T444S	AA26-00116A	TRANS FBT;FSV-14A004H(S),CT15A8,3.24MH,1	
2	R815	2008-001086	R-FUSIBLE(S);3.3ohm,5%,2W,AG,TP,3.9x12mm		2	SUB	AA98-00079A	ASSY SUB PART;KS1A,MAIN(OPT),PAL,-		
2	R421	2008-000254	R-FUSIBLE(S);0.68ohm,5%,2W,AF,TP,3.9x10m		3		0202-000008	SOLDER-WIRE;S63S-W3.0,S63S,D3,63Sn/37Pb,		
2	Z203	2903-000181	FILTER-CERAMIC,BR,5.5MHz,-,-,TP,TPS5.5		3		0202-000187	SOLDER-WIRE FLUX;-RS60S,D1-2.63Sn/37Pb		
2	L807	2701-001030	INDUCTOR-AXIAL;43uH,10%,5x14mm		3		0204-000442	SOLVENT;1M-1000,C3H7OH,96,-		
2	L804	2701-001030	INDUCTOR-AXIAL;43uH,10%,5x14mm		3		0204-001024	FLUX;DF-98TVS,-,20%,-		
2	C615	2202-000253	C-CERAMIC,MLC-AXIAL;4.7nF,20%,16V,Y5R,TP		△	2	LR401S	AA27-30001B	COIL LINEARITY;-195uH,QIC1010,PI0.4,4.5	
2	C822	2401-000711	C-AL;2200uF,20%,25V,GP,TP,16x25,7.5		△	2	CR410S	2303-001015	C-FILM,PPF;5.5nF,5%,1.6kV,TP,29x9.5x17.2	
△	FP801S	3601-000281	FUSE-CARRIDGE;250V,4A,TIME-LAG,GLASS,5.		2	IC602	AA96-00848A	ASSY H/S;,SOUND,AA62-30175D,TDAB943		
2	R302	2004-004969	R-METAL(S);1.1Kohm,1%,1/2W,AA,TP,2.4x6.4		3	SCR602	6003-000334	SCREW-TAPTITE,RH,+2S,M3,L6,ZPC(YEL),SWR		
2	R808	2001-001138	R-CARBON(S);390OHM,5%,1/2W,AA,TP,2.4X6.4		3	H/S602	AA62-30175D	HEAT SINK-PS;-SECC,T1.0,-,33X15X30 FT-2		
2	R831	2001-001088	R-CARBON(S);1KOHM,5%,1/2W,AA,TP,2.4X6.4M		3	IC602	1201-001740	IC-AUDIO AMP;TDA8943,SIL,9P850MIL,SINGL		
△	D804	0401-000006	DIODE-SWITCHING;BAV21,250V,250mA,DO-35,T		2	CN703	3711-002648	CONNECTOR-HEADER;BOX,9P,1R,2.5mm,STRAIGH		
△	D805	0402-001470	DIODE-RECTIFIER;RU2BV1,800V,1A,DO-204AC,		2	CN603	3711-002643	CONNECTOR-HEADER;BOX,4P,1R,2.5mm,STRAIGH		
2	R405	2001-001116	R-CARBON(S);270OHM,5%,1/2W,AA,TP,2.4X6.4M		2	LW01	AA27-40001M	COIL HORIZ. WIDTH;-180/480uH,SB-5S6202.		
2	C203	2401-002462	C-AL;33uF,20%,16V,GP,TP5x11,5		△	2	CY801S	2201-000446	C-CERAMIC,DISC;3.3nF,20%,400V,Y5U,TP,15x	
2	R306	2004-001390	R-METAL(S);1Kohm,2%,1/2W,AA,TP,2.4x6.4mm		△	2	IC201S	AA09-00287A	MICOM;TDA9351/N2/3L,SPM-802EE2,64P3.	
2	R811	2003-002239	R-METAL OXIDE(S);100KOHM,5%,2W,AF,TP,3.9		△	2	T801S	AA26-00134A	TRANS SWITCHING;CS21S5T,160V-260V,PM2 P	
2	R812	2003-002239	R-METAL OXIDE(S);100KOHM,5%,2W,AF,TP,3.9		2	CN401	AA60-40012D	PIN-GT,ASSY;T1.6-6.12.5,-,NYLON66		
2	C110	2401-000962	C-AL;22uF,20%,50V,GP,TP5x11,5							
2	R840	2001-001122	R-CARBON(S);3.9KOHM,5%,1/2W,AA,TP,2.4X6.							
2	C818	2401-003028	C-AL;100uF,20%,25V,WT,TP6.3x11,5							
2	C821	2401-003028	C-AL;100uF,20%,25V,WT,TP6.3x11,5							
2	R923	2001-000273	R-CARBON;100KOHM,5%,1/8W,AA,TP,1.8X3.2M							
2	C603	2301-000247	C-FILM,PEF;33nF,5%,50V,TP8.1x4.5x13mm,5		1		AA94-11633A	ASSY CRT;+,450MG,21,ITC,A51EFS83X191,9		
2		0203-001123	TAPE-PAPER;#53131,TO.15,W6.0,L200000,YEL		△	2		AA03-00354A	CRT COLOR;A51EFS83X191,450MG,2.0MH,23.0M	
2	C102	2202-000279	C-CERAMIC,MLC-AXIAL;47pF,5%,50V,SL,TP,3.		2		AA27-20003Z	COIL DEGAUSSING;-21.13.5ohm,25T,L2380,E		
2	DZ401	0403-001319	DIODE-ZENER;MTZJ4.7C,4.68-4.93V,500mW,DO		2		AA63-10002A	BAND-TIE;NYLON66 V2,L100,NTR		
2	DZ906	0403-001319	DIODE-ZENER;MTZJ4.7C,4.68-4.93V,500mW,DO		2		AA98-70030A	ASSY TBC (WIRE)P;DP21,AA98-70014C,1P,TV		
2	DZ907	0403-001319	DIODE-ZENER;MTZJ4.7C,4.68-4.93V,500mW,DO		2		AA65-30113A	CLAMPER CORE-D.COIL;-NYLON 66,V2,-,BLK,		
2	DZ908	0403-001319	DIODE-ZENER;MTZJ4.7C,4.68-4.93V,500mW,DO		2		AA39-20518A	LEAD CONNECTOR-ASSY;,64P;YFH806-06,350		

**ASSY CRT**

Level	Loc. No.	Code No.	Description ; Specification	Remark	Level	Loc. No.	Code No.	Description ; Specification	Remark
<b>REMOCON</b>									
1		AA59-00104N	REMOCON;TM59,SIM806E,29,L/GRAY,TTX/MO		2		HA68-02179A	LABEL-RATING;58MM,53MM,WHITE	
					2	QMS	HA83-00052A	LP-TAPE-INK;WIDTH 55 MM	
					2	RATING	HA83-00052A	LP-TAPE-INK;WIDTH 55 MM	
					2		HA68-02177B	LABEL-PQS;ALL,30MM,65MM,WHITE,AA68-02177	
<b>ASSY ETC</b>					<b>ASSY ETC-A/V SIDE</b>				
1		AA95-01478A	ASSY ETC;20F4,KS1A		1		AA95-00946A	ASSY ETC-A/V SIDE;-20F4,S15A,PAL;-MONO	
2	RE01	2001-001153	R-CARBON(S);470HM,5%,1/2W,AA,TP,2.4X6.4M		2		HA61-00494A	HOLDER-AV;TOOL,20F4;---,MOLD	
2	RE02A	2001-001153	R-CARBON(S);470HM,5%,1/2W,AA,TP,2.4X6.4M		3		HA83-00006A	LP-RESIN HIPS;BASF495FNTR,HB	
2	CE04	2202-000121	C-CERAMIC,MLC-AXIAL;100pF,10%,50V,Y5P,TP		3		HA83-00011A	LP-RESIN;M BATCH,WILSON 6007-GY-60,GRY	
2	CE07	2202-000222	C-CERAMIC,MLC-AXIAL;3.3nF,20%,16V,Y5P,TP		3		HA83-00040A	LP-MARKING PAINT;METALLIC SILVER,SV-012	
2	CE01	2401-001840	C-AL;100uF,20%,16V,GP,TP,6.3x11.5		2		AA64-01309K	INLAY AV;PS SHEET,21D8,TO.3;---,S15A M	
2	LE04	2701-000114	INDUCTOR-AXIAL;10uH,10%,2.5x3.4mm		2	PCB+HO	6003-001024	SCREW-TAPTITE,RWH,+B,M4,L12,ZPC(YEL),SW	
2	LE01	2701-000158	INDUCTOR-AXIAL;22uH,10%,2.5x3.4mm		2	C/F+HO	6003-001135	SCREW-TAPTITE,TH,+B,M4,Q,L15,BLK,SWRCH1	
2	JE01	3812-000219	WIRE-NO SHEATH CU;TCWA,300V,52mm(TAPING)		<b>ASSY PACKING</b>				
2	PCB	AA41-00208C	PCB-FRONT AV;S4/C5 MODEL,FR-1,1L,C,1.6T,		1		AA90-01113A	ASSY PACKING;21F5	
2	JE601	3722-000143	JACK-PHONE;1P(VER);3.4P,AG,BLK,NO		2		AA60-00006A	PIN-STAPLE;AUTO,33X17.8X2.4,H18,33X17.8X	
2	JR01	3722-001282	JACK-PIN;2P(3P);3.2mm,AJ,BLK,-		2		HA69-00908B	CUSHION-SET;21F5,EPS C=0.02	
2	CN702	AA39-20112E	LEAD CONNECTOR-ASSY;9PYBNH025-09,67096		3		HA83-00058A	LP-RESIN-EPS;CHEIL SF-301V,WHT	
2		0202-000008	SOLDER-WIRE;S63S-W3.0,S63S,D3,63Sn/37Pb,		2		HA69-00967A	PACKING-CASE;21F5,CB D-2 BB,YEL,KS1A SEH	
2		0202-000187	SOLDER-WIRE FLUX;-RS60S,D1.2,63Sn/37Pb		2		HA68-02178A	LABEL-BOX;250MM,89MM,WHITE	
2		0204-000442	SOLVENT;1M-1000,C3H7OH,96,-		2		AA69-00744C	BAG-SHEET;-HDPE PE FOAM,TO.015,W1050,H9	
2		0204-001024	FLUX;DF-98TVS;-20%,-		2		HA83-00046A	LP-TAPE INK;WIDTH 105 MM	
<b>ASSY CABINET FRONT</b>									
1		HA91-00834A	ASSY CABINET FRONT;21F5,KS0A,HIPS,HB,SV		<b>ASSY POWER CORD</b>				
2	CF+RMC	6002-000515	SCREW-TAPPING;RH,+2,M4,L15,ZPC(WHT),SWR		△ 1		AA96-01126A	ASSY POWER CORD;DP,AA39-10001G,CP2,H/C25	
2	CF+SPK	6002-000515	SCREW-TAPPING;RH,+2,M4,L15,ZPC(WHT),SWR		△ 2		AA39-10001G	CBF POWER CORD;-KKP-	
2	CF+KC	6002-000515	SCREW-TAPPING;RH,+2,M4,L15,ZPC(WHT),SWR				419C,KLCE-2F,2.286m		
2		AA61-60003J	SPRING ETC-CS;-SUS304;-OD6,N7,OD6,-		2		AA61-20284A	HOLDER;P-CORD,PP;---,BLK,VO,KE-002	
2		AA64-70010B	BADGE-BRAND;-AL;-L50;-SILVER,SS R20		<b>ASSY ACCESSORY</b>				
2		AA65-30105A	CLAMPER CORE-WIRE;ALL MODEL,NYLON 66,V2,		1		AA94-05289A	ASSY ACCESSORY;20-21,KS1A,XEK	
2		AA64-01705C	KNOB POWER;21F5,HIPS,HB,GRY		2		4301-000120	BATTERY-MN;1.5V;-AA,14.5x50mm,-	
3		HA83-00006A	LP-RESIN HIPS;BASF495FNTR,HB		2		HA83-00047A	LP-TAPEACETATE;TO.1MM,W20MM,L200MM	
3		HA83-00011A	LP-RESIN;M BATCH,WILSON 6007-GY-60,GRY		2		HA69-00276A	BAG VINYL,HDPE,TO.025,L400,W240,-,VV/O LO	
2		HA64-01706B	WINDOW-RMC,LED;21F5,ACRYL,CLEAR		2		HA68-00816B	CARD WARRANTY;RUSSINA,2,VV/P 120G,BOTH FA	
3		HA83-00010A	LP-RESIN;OROGLAS,VM-100 ZHN 2		2		AA26-90001C	TRANS MATCHING;-300ohm/75ohm,PAL,40-890	
2		AA64-02471A	KNOB CONTROL;21F5,HIPS,HB,GRY		2		AA42-00003A	ANT ROD;-3S,720mm,ABS,UL/CSA,-	
3		HA83-00006A	LP-RESIN HIPS;BASF495FNTR,HB		2		HA68-02074A	MANUAL USERS;RUSS,A/P100(G),31P,145,19	
3		HA83-00011A	LP-RESIN;M BATCH,WILSON 6007-GY-60,GRY		2		HA68-02176A	LABEL LABEL	
2		AA64-02383A	CABINET-FRONT;21F5,HIPS,HB,SV-012P-II,GR		2		AA68-01120A	MANUAL SERVICE;-CIS,A4,6PAGE(FOLD),W/	
3		AA81-00106A	A/S-MARKING PAINT;P432U,DARK GREY,TPC		2		AA68-02643A	MANUAL USERS;BWT,EST,A/P 100(G),145,205	
3		HA83-00040A	LP-MARKING PAINT;METALLIC SILVER,SV-012		2		AA68-02644A	MANUAL USERS;BWT,LATV,A/P 100(G),145,20	
3		HA83-00011A	LP-RESIN;M BATCH,WILSON 6007-GY-60,GRY		2		AA68-02645A	MANUAL USERS;BWT,LITH,A/P 100(G),145,20	
3		HA83-00006A	LP-RESIN HIPS;BASF495FNTR,HB						
2		HA83-00049A	LP-ADHESIVE-HM;12MM,NTR						
2		AA96-00852A	ASSY SPEAKER;160HM,3W,3001-001039,700/3						
3		3001-001039	SPEAKER;3V,160HM,90DB,180HZ						
3		AA39-20505M	LEAD CONNECTOR-ASSY;4PYSH025-04,REC,35						
2		AA61-40113A	STOPPER-PCB;501H,HIPS;---,HB,NTR,-						
2		HA61-00721B	HOLDER-RAIL;21F5,HIPS,HB,GRY						
3		HA83-00006A	LP-RESIN HIPS;BASF495FNTR,HB						
3		HA83-00011A	LP-RESIN;M BATCH,WILSON 6007-GY-60,GRY						
<b>ASSY-CABINET(COM)</b>									
1		AA90-01068C	ASSY-CABINET(COM);KS1A,VL-1823,CS-BWT,21						
2	CB+CF	6002-000515	SCREW-TAPPING;RH,+2,M4,L15,ZPC(WHT),SWR						
2	CB+RCA	6002-000515	SCREW-TAPPING;RH,+2,M4,L15,ZPC(WHT),SWR						
2	CRT+CF	AA60-10050Q	SCREW-ASSY;-SWRCH18A,M5,L26.5,HH,+WC,-						
2	CC	AA65-30008A	CLAMPER CORE-CORD;-PE,HB;-BLK,-						
2		HA64-02356B	CABINET BACK;21F5,VL-1823,GRY						
3		AA81-00096A	RESIN-A;VL-1823,G5433,A						
3		HA83-00011A	LP-RESIN;M BATCH,WILSON 6007-GY-60,GRY						
2		AA65-30009A	CLAMPER CORE-FBT;-ABS,VO;-BLK,-						
2		AA65-30018A	CLAMPER CORE-WIRE;DONG-A,NYLON-66;---,						

### 7-11 CZ21F32TSXXEH

Level	Loc. No.	Code No.	Description ; Specification	Remark	Level	Loc. No.	Code No.	Description ; Specification	Remark
<b>ASSY PCB MAIN</b>									
1		AA94-12446A	ASSY PCB MAIN;CZ21F32TSXXEH,21F3,XXEH		2	J125	2001-000016	R-CARBON(S);10HM,5%,1/2W,AA,TP2.4X6.4MM	
2		HA68-02176A	LABEL;LABEL		2	R843	2001-000019	R-CARBON(S);100HM,5%,1/2W,AA,TP2.4X6.4M	
2	D201	0401-000005	DIODE-SWITCHING;1N4148,100V,200mA,DO-35,		2	R618	2001-000019	R-CARBON(S);100HM,5%,1/2W,AA,TP2.4X6.4M	
△	D811	0401-000005	DIODE-SWITCHING;1N4148,100V,200mA,DO-35,		2	R409	2001-000022	R-CARBON(S);330HM,5%,1/2W,AA,TP2.4X6.4M	
△	D801S	0402-001111	DIODE-RECTIFIER;1N5397GP600V,1.5A,DO-20		2	R823	2001-000037	R-CARBON(S);330OHM,5%,1/2W,AA,TP2.4X6.4	
△	D802S	0402-001111	DIODE-RECTIFIER;1N5397GP600V,1.5A,DO-20		2	R902	2001-000241	R-CARBON;1.5KOHM,5%,1/8W,AA,TP1.8X3.2M	
△	D803S	0402-001111	DIODE-RECTIFIER;1N5397GP600V,1.5A,DO-20		2	R904	2001-000241	R-CARBON;1.5KOHM,5%,1/8W,AA,TP1.8X3.2M	
△	D804S	0402-001111	DIODE-RECTIFIER;1N5397GP600V,1.5A,DO-20		2	R211	2001-000281	R-CARBON;100OHM,5%,1/8W,AA,TP1.8X3.2MM	
△	D501	0402-000254	DIODE-RECTIFIER;RGP10J,600V,1A,DO-41,TP		2	R215	2001-000281	R-CARBON;100OHM,5%,1/8W,AA,TP1.8X3.2MM	
△	D803	0402-000254	DIODE-RECTIFIER;RGP10J,600V,1A,DO-41,TP		2	R223	2001-000281	R-CARBON;100OHM,5%,1/8W,AA,TP1.8X3.2MM	
2	D301	0402-001105	DIODE-RECTIFIER;ERB43-04SV1,400V,1.0A,-,		2	R501	2001-000281	R-CARBON;100OHM,5%,1/8W,AA,TP1.8X3.2MM	
2	D304	0402-001105	DIODE-RECTIFIER;ERB43-04SV1,400V,1.0A,-,		2	R502	2001-000281	R-CARBON;100OHM,5%,1/8W,AA,TP1.8X3.2MM	
△	D401	0402-001105	DIODE-RECTIFIER;ERB43-04SV1,400V,1.0A,-,		2	R506	2001-000281	R-CARBON;100OHM,5%,1/8W,AA,TP1.8X3.2MM	
2	D502	0402-001105	DIODE-RECTIFIER;ERB43-04SV1,400V,1.0A,-,		2	R510	2001-000281	R-CARBON;100OHM,5%,1/8W,AA,TP1.8X3.2MM	
2	D503	0402-001105	DIODE-RECTIFIER;ERB43-04SV1,400V,1.0A,-,		2	R511	2001-000281	R-CARBON;100OHM,5%,1/8W,AA,TP1.8X3.2MM	
2	D504	0402-001105	DIODE-RECTIFIER;ERB43-04SV1,400V,1.0A,-,		2	R512	2001-000281	R-CARBON;100OHM,5%,1/8W,AA,TP1.8X3.2MM	
△	D812	0402-001105	DIODE-RECTIFIER;ERB43-04SV1,400V,1.0A,-,		2	R909	2001-000281	R-CARBON;100OHM,5%,1/8W,AA,TP1.8X3.2MM	
2	D302	0402-001352	DIODE-RECTIFIER;GUF15G-20A,400V,1.5A,DO-		2	R911	2001-000281	R-CARBON;100OHM,5%,1/8W,AA,TP1.8X3.2MM	
2	D2402	0403-000508	DIODE-ZENER;MTZJ5.6B,5.6V,5.45-5.73V,500		2	R912	2001-000281	R-CARBON;100OHM,5%,1/8W,AA,TP1.8X3.2MM	
2	D2807	0403-000508	DIODE-ZENER;MTZJ5.6B,5.6V,5.45-5.73V,500		2	R913	2001-000281	R-CARBON;100OHM,5%,1/8W,AA,TP1.8X3.2MM	
2	D2810	0403-000508	DIODE-ZENER;MTZJ5.6B,5.6V,5.45-5.73V,500		2	R914	2001-000281	R-CARBON;100OHM,5%,1/8W,AA,TP1.8X3.2MM	
2	D2903	0403-000508	DIODE-ZENER;MTZJ5.6B,5.6V,5.45-5.73V,500		2	J137	2001-000281	R-CARBON;100OHM,5%,1/8W,AA,TP1.8X3.2MM	
2	D2904	0403-000508	DIODE-ZENER;MTZJ5.6B,5.6V,5.45-5.73V,500		2	R213	2001-000281	R-CARBON;100OHM,5%,1/8W,AA,TP1.8X3.2MM	
2	D2905	0403-000508	DIODE-ZENER;MTZJ5.6B,5.6V,5.45-5.73V,500		2	R718	2001-000281	R-CARBON;100OHM,5%,1/8W,AA,TP1.8X3.2MM	
2	D2901	0403-000508	DIODE-ZENER;MTZJ5.6B,5.6V,5.45-5.73V,500		2	R933	2001-000281	R-CARBON;100OHM,5%,1/8W,AA,TP1.8X3.2MM	
2	DZ101	0403-000700	DIODE-ZENER;TZP33A,33V,31-35V,1W,DO-41,T		2	R934	2001-000281	R-CARBON;100OHM,5%,1/8W,AA,TP1.8X3.2MM	
2	DZ303	0403-000700	DIODE-ZENER;TZP33A,33V,31-35V,1W,DO-41,T		2	R224	2001-000290	R-CARBON;10KOHM,5%,1/8W,AA,TP1.8X3.2MM	
2	DZ803	0403-000700	DIODE-ZENER;TZP33A,33V,31-35V,1W,DO-41,T		2	R828	2001-000290	R-CARBON;10KOHM,5%,1/8W,AA,TP1.8X3.2MM	
2	DZ201	0403-000720	DIODE-ZENER;MTZJ9.1B,9.1V,8.57-9.01V,500		2	R910	2001-000290	R-CARBON;10KOHM,5%,1/8W,AA,TP1.8X3.2MM	
2	DZ204	0403-000720	DIODE-ZENER;MTZJ9.1B,9.1V,8.57-9.01V,500		2	R920	2001-000290	R-CARBON;10KOHM,5%,1/8W,AA,TP1.8X3.2MM	
2	DZ205	0403-000720	DIODE-ZENER;MTZJ9.1B,9.1V,8.57-9.01V,500		2	R922	2001-000290	R-CARBON;10KOHM,5%,1/8W,AA,TP1.8X3.2MM	
2	DZ207	0403-000720	DIODE-ZENER;MTZJ9.1B,9.1V,8.57-9.01V,500		2	R921	2001-000290	R-CARBON;10KOHM,5%,1/8W,AA,TP1.8X3.2MM	
2	DZ501	0403-000720	DIODE-ZENER;MTZJ9.1B,9.1V,8.57-9.01V,500		2	R919	2001-000290	R-CARBON;10KOHM,5%,1/8W,AA,TP1.8X3.2MM	
2	DZ502	0403-000720	DIODE-ZENER;MTZJ9.1B,9.1V,8.57-9.01V,500		2	R709	2001-000290	R-CARBON;10KOHM,5%,1/8W,AA,TP1.8X3.2MM	
2	DZ503	0403-000720	DIODE-ZENER;MTZJ9.1B,9.1V,8.57-9.01V,500		2	R230	2001-000290	R-CARBON;10KOHM,5%,1/8W,AA,TP1.8X3.2MM	
2	DZ504	0403-000720	DIODE-ZENER;MTZJ9.1B,9.1V,8.57-9.01V,500		2	R225	2001-001035	R-CARBON;91OHM,5%,1/8W,AA,TP1.8X3.2MM	
2	DZ704	0403-000720	DIODE-ZENER;MTZJ9.1B,9.1V,8.57-9.01V,500		2	R918	2001-000429	R-CARBON;1KOHM,5%,1/8W,AA,TP1.8X3.2MM	
2	DZ808	0403-000720	DIODE-ZENER;MTZJ9.1B,9.1V,8.57-9.01V,500		2	R926	2001-000429	R-CARBON;1KOHM,5%,1/8W,AA,TP1.8X3.2MM	
2	DZ306	0403-000720	DIODE-ZENER;MTZJ9.1B,9.1V,8.57-9.01V,500		2	R210	2001-000429	R-CARBON;1KOHM,5%,1/8W,AA,TP1.8X3.2MM	
2	DZ307	0403-000720	DIODE-ZENER;MTZJ9.1B,9.1V,8.57-9.01V,500		2	R723	2001-000429	R-CARBON;1KOHM,5%,1/8W,AA,TP1.8X3.2MM	
2	DZ701	0403-000720	DIODE-ZENER;MTZJ9.1B,9.1V,8.57-9.01V,500		2	R721	2001-000429	R-CARBON;1KOHM,5%,1/8W,AA,TP1.8X3.2MM	
2	DZ702	0403-000720	DIODE-ZENER;MTZJ9.1B,9.1V,8.57-9.01V,500		2	R916	2001-000449	R-CARBON;2.2KOHM,5%,1/8W,AA,TP1.8X3.2M	
2	DZ703	0403-000720	DIODE-ZENER;MTZJ9.1B,9.1V,8.57-9.01V,500		2	R917	2001-000449	R-CARBON;2.2KOHM,5%,1/8W,AA,TP1.8X3.2M	
2	DZ801	0403-001140	DIODE-ZENER;RD10ESAB-T4,10V,9.19-10.30V,		2	R220	2001-000472	R-CARBON;2.7KOHM,5%,1/8W,AA,TP1.8X3.2M	
2	DZ302	0403-001221	DIODE-ZENER;UZ39BSB,35.36-37.19V,500mW,D		2	R901	2001-000472	R-CARBON;2.7KOHM,5%,1/8W,AA,TP1.8X3.2M	
2	DZ806	0403-001317	DIODE-ZENER;MTZJ3.0B,3.01-3.22V,500mW,DO		2	R903	2001-000472	R-CARBON;2.7KOHM,5%,1/8W,AA,TP1.8X3.2M	
2	DZ802	0403-001318	DIODE-ZENER;MTZJ4.3B,4.17-4.43V,500mW,DO		2	R907	2001-000472	R-CARBON;2.7KOHM,5%,1/8W,AA,TP1.8X3.2M	
2	DZ203	0403-001322	DIODE-ZENER;MTZJ8.2B,7.78-8.19V,500mW,DO		2	R908	2001-000472	R-CARBON;2.7KOHM,5%,1/8W,AA,TP1.8X3.2M	
2	DZ805	0403-001327	DIODE-ZENER;MTZJ18A,16.22-17.06V,500mW,D		2	R214	2001-000490	R-CARBON;200OHM,5%,1/8W,AA,TP1.8X3.2MM	
2	DZ301	0403-001328	DIODE-ZENER;MTZJ22A,20.15-21.20V,500mW,D		2	R206	2001-000563	R-CARBON;27KOHM,5%,1/8W,AA,TP1.8X3.2MM	
2	DZ305	0403-001328	DIODE-ZENER;MTZJ22A,20.15-21.20V,500mW,D		2	R829	2001-000563	R-CARBON;27KOHM,5%,1/8W,AA,TP1.8X3.2MM	
2	Q201	0501-000283	TR-SMALL SIGNAL;KSA539,PNP,400mW,TO-92,T		2	R929	2001-000563	R-CARBON;27KOHM,5%,1/8W,AA,TP1.8X3.2MM	
2	Q901	0501-000283	TR-SMALL SIGNAL;KSA539,PNP,400mW,TO-92,T		2	R208	2001-000591	R-CARBON;3.3KOHM,5%,1/8W,AA,TP1.8X3.2M	
2	Q402	0501-000369	TR-SMALL SIGNAL;KSC231-Y,NPN,1000mW,TO-		2	R202	2001-000689	R-CARBON;390KOHM,5%,1/8W,AA,TP1.8X3.2M	
2	Q202	0501-000389	TR-SMALL SIGNAL;KSC815,NPN,400mW,TO-92,T		2	R925	2001-000734	R-CARBON;4.7KOHM,5%,1/8W,AA,TP1.8X3.2M	
2	Q205	0501-000389	TR-SMALL SIGNAL;KSC815,NPN,400mW,TO-92,T		2	R841	2001-000734	R-CARBON;4.7KOHM,5%,1/8W,AA,TP1.8X3.2M	
2	Q701	0501-000389	TR-SMALL SIGNAL;KSC815,NPN,400mW,TO-92,T		2	R601	2001-000734	R-CARBON;4.7KOHM,5%,1/8W,AA,TP1.8X3.2M	
2	Q903	0501-000389	TR-SMALL SIGNAL;KSC815,NPN,400mW,TO-92,T		2	R227	2001-000739	R-CARBON;4.7MOHM,5%,1/8W,AA,TP1.8X3.2M	
2	Q905	0501-000389	TR-SMALL SIGNAL;KSC815,NPN,400mW,TO-92,T		2	R228	2001-000739	R-CARBON;4.7MOHM,5%,1/8W,AA,TP1.8X3.2M	
2	Q704	0501-000389	TR-SMALL SIGNAL;KSC815,NPN,400mW,TO-92,T		2	R109	2001-000786	R-CARBON;47KOHM,5%,1/8W,AA,TP1.8X3.2MM	
△	VX801S	1405-000187	VARISTOR;750V,1250A,12.5x7mm,TP		2	R724	2001-000786	R-CARBON;47KOHM,5%,1/8W,AA,TP1.8X3.2MM	
2	R207	2001-000005	R-CARBON;390ohm,5%,1/8W,AA,TP1.8X3.2mm		2	R725	2001-000786	R-CARBON;47KOHM,5%,1/8W,AA,TP1.8X3.2MM	
2	R905	2001-000005	R-CARBON;390ohm,5%,1/8W,AA,TP1.8X3.2mm		2	R726	2001-000786	R-CARBON;47KOHM,5%,1/8W,AA,TP1.8X3.2MM	
2	R906	2001-000005	R-CARBON;390ohm,5%,1/8W,AA,TP1.8X3.2mm		2	R727	2001-000786	R-CARBON;47KOHM,5%,1/8W,AA,TP1.8X3.2MM	
2	R218	2001-000008	R-CARBON;15KOHM,5%,1/8W,AA,TP1.8X3.2MM		2	R209	2001-000793	R-CARBON;47OHM,5%,1/8W,AA,TP1.8X3.2MM	
2	R602	2001-000008	R-CARBON;15KOHM,5%,1/8W,AA,TP1.8X3.2MM		2	R927	2001-000793	R-CARBON;47OHM,5%,1/8W,AA,TP1.8X3.2MM	
2	R205	2001-000011	R-CARBON;75KOHM,5%,1/8W,AA,TP1.8X3.2MM		2	R203	2001-000857	R-CARBON;560OHM,5%,1/8W,AA,TP1.8X3.2MM	
2	R301	2001-000016	R-CARBON(S);10HM,5%,1/2W,AA,TP2.4X6.4MM		2	R204	2001-000857	R-CARBON;560OHM,5%,1/8W,AA,TP1.8X3.2MM	
					2	R713	2001-000857	R-CARBON;560OHM,5%,1/8W,AA,TP1.8X3.2MM	
					2	R715	2001-000857	R-CARBON;560OHM,5%,1/8W,AA,TP1.8X3.2MM	
					2	R110	2001-000924	R-CARBON;680OHM,5%,1/8W,AA,TP1.8X3.2MM	
					2	R915	2001-000924	R-CARBON;680OHM,5%,1/8W,AA,TP1.8X3.2MM	

Level	Loc. No.	Code No.	Description ; Specification	Remark	
2	R722	2001-000924	R-CARBON;680OHM,5%,1/8W,AA,TP,1.8X3.2MM		
2	R108	2001-000947	R-CARBON;7.5KOHM,5%,1/8W,AA,TP,1.8X3.2M		
2	R222	2001-000947	R-CARBON;7.5KOHM,5%,1/8W,AA,TP,1.8X3.2M		
2	R702	2001-000969	R-CARBON;750HM,5%,1/8W,AA,TP,1.8X3.2MM		
2	R719	2001-000969	R-CARBON;750HM,5%,1/8W,AA,TP,1.8X3.2MM		
2	R720	2001-000969	R-CARBON;750HM,5%,1/8W,AA,TP,1.8X3.2MM		
2	R408	2001-001037	R-CARBON(S);0.390HM,5%,1/2W,AA,TP,2.4X6.4		
2	R504	2001-001062	R-CARBON(S);10MOHM,5%,1/2W,AA,TP,2.4X6.4		
2	R414	2001-001078	R-CARBON(S);15KOHM,5%,1/2W,AA,TP,2.4X6.4		
2	R806	2001-001108	R-CARBON(S);22KOHM,5%,1/2W,AA,TP,2.4X6.4		
2	R411	2001-001114	R-CARBON(S);270OHM,5%,1/2W,AA,TP,2.4X6.4		
2	R405	2001-001116	R-CARBON(S);270HM,5%,1/2W,AA,TP,2.4X6.4M		
2	R809	2001-001150	R-CARBON(S);470KOHM,5%,1/2W,AA,TP,2.4X6.4		
2	R810	2001-001150	R-CARBON(S);470KOHM,5%,1/2W,AA,TP,2.4X6.4		
2	R501H	2002-001008	R-COMPOSITION;1.8Kohm,10%,1/2W,AA,TP,3.7		
2	R502H	2002-001008	R-COMPOSITION;1.8Kohm,10%,1/2W,AA,TP,3.7		
2	R503	2002-001008	R-COMPOSITION;1.8Kohm,10%,1/2W,AA,TP,3.7		
△	2	RX801S	2002-001011	R-COMPOSITION;3.3Mohm,5%,1/2W,AA,TP,3.7x	
△	2	RY801S	2002-001012	R-COMPOSITION;8.2Mohm,5%,1/2W,AA,TP,3.7x	
2	R827	2003-000652	R-METAL OXIDE(S);330ohm,5%,2W,AF,TP,4x12		
2	R315	2003-000652	R-METAL OXIDE(S);330ohm,5%,2W,AF,TP,4x12		
2	R316	2003-000652	R-METAL OXIDE(S);330ohm,5%,2W,AF,TP,4x12		
2	R403	2003-000784	R-METAL OXIDE(S);7.5Kohm,5%,2W,AF,TP,4x1		
2	R834	2003-001040	R-METAL OXIDE(S);47Kohm,5%,2W,AF,TP,3.9x		
2	R801	2003-002171	R-METAL OXIDE(S);150ohm,5%,2W,AG,TP,3.9x		
2	R402	2003-002178	R-METAL OXIDE(S);1Kohm,5%,2W,AG,TP,3.9x		
2	R407	2003-002209	R-METAL OXIDE(S);47Kohm,5%,2W,AG,TP,3.9X		
2	R219	2004-001914	R-METAL;39Kohm,2%,1/8W,AA,TP,1.8x3.5mm		
2	R817	2004-004089	R-METAL(S);123Kohm,1%,1/2W,AA,TP,2.5x6.5		
2	R304	2008-000253	R-FUSIBLE(S);0.47ohm,5%,1W,AF,TP,3.9x10mm		
2	R305	2008-000253	R-FUSIBLE(S);0.47ohm,5%,1W,AF,TP,3.9x10mm		
2	R825	2008-000266	R-FUSIBLE(S);1ohm,5%,2W,AF,TP,3.9x10mm		
2	R824	2008-000294	R-FUSIBLE(S);33ohm,5%,2W,AF,TP,3.9x10mm		
2	R420	2008-001110	R-FUSIBLE(S);68ohm,5%,2W,AG,TP,3.9x12mm		
2	R814	2008-001112	R-FUSIBLE(S);2.4ohm,5%,2W,AG,TP,3.9x12mm		
2	R815	2008-001112	R-FUSIBLE(S);2.4ohm,5%,2W,AG,TP,3.9x12mm		
2	C904	2201-000180	C-CERAMIC,DISC;10nf,10%,50V,Y5P,TP,7x3.5		
2	C501	2201-000192	C-CERAMIC,DISC;0.01nf,0.25pf,500V,NP0,TP		
2	C302	2201-000259	C-CERAMIC,DISC;0.18nf,10%,500V,Y5P,TP,5		
2	C303	2201-000556	C-CERAMIC,DISC;0.47nf,10%,500V,Y5P,TP,5		
2	C305	2201-000556	C-CERAMIC,DISC;0.47nf,10%,500V,Y5P,TP,5		
2	C908	2201-000573	C-CERAMIC,DISC;0.047nf,5%,50V,NP0,TP,5x3		
2	C909	2201-000573	C-CERAMIC,DISC;0.047nf,5%,50V,NP0,TP,5x3		
2	C408	2201-000599	C-CERAMIC,DISC;0.56nf,10%,500V,Y5P,TP,5		
△	2	CR404S	2201-000639	C-CERAMIC,DISC;0.68nf,10%,2kV,Y5P,TP,9x5	
2	C811	2201-000991	C-CERAMIC,DISC;0.56nf,10%,2kV,Y5P,TP,7.5		
2	C814	2201-000991	C-CERAMIC,DISC;0.56nf,10%,2kV,Y5P,TP,7.5		
△	2	CR409S	2201-000991	C-CERAMIC,DISC;0.56nf,10%,2kV,Y5P,TP,7.5	
2	C503	2201-000723	C-CERAMIC,DISC;4.7nf,20%,3KV,Y5U,TP,16x5		
2	C703	2202-000121	C-CERAMIC,MLC-AXIAL;100pf,10%,50V,Y5P,TP		
2	C704	2202-000121	C-CERAMIC,MLC-AXIAL;100pf,10%,50V,Y5P,TP		
2	C106	2202-000127	C-CERAMIC,MLC-AXIAL;10nf,+80-20%,25V,Y5V		
2	C111	2202-000127	C-CERAMIC,MLC-AXIAL;10nf,+80-20%,25V,Y5V		
2	C223	2202-000796	C-CERAMIC,MLC-AXIAL;1NF,10%,50V,Y5P,TP,3		
2	C224	2202-000796	C-CERAMIC,MLC-AXIAL;1NF,10%,50V,Y5P,TP,3		
2	C906	2202-000796	C-CERAMIC,MLC-AXIAL;1NF,10%,50V,Y5P,TP,3		
2	C505	2202-000825	C-CERAMIC,MLC-AXIAL;680pf,10%,50V,Y5P,TP		
2	C226	2202-000829	C-CERAMIC,MLC-AXIAL;0.82NF,10%,50V,Y5P,T		
2	C707	2301-000204	C-FILM,PEF;2.7nf,5%,50V,TP,7.4x3.9x13mm,		
2	C502	2301-000213	C-FILM,PEF;220nf,5%,250V,TP,21.5x11.7,5		
2	C109	2301-000224	C-FILM,PEF;22nf,5%,50V,TP,7.4x3.9x13mm,5		
2	C804	2301-000224	C-FILM,PEF;22nf,5%,50V,TP,7.4x3.9x13mm,5		
2	C805	2301-000235	C-FILM,PEF;3.9nf,5%,50V,TP,6.5x3.0x5.5mm		
2	C309	2301-000254	C-FILM,PEF;39nf,5%,50V,TP,7.5x3.5x6.5mm,		
2	C606	2301-000111	C-FILM,PEF;1.8nf,5%,50V,TP,6.5x3.0x5.5mm		
2	C217	2301-000342	C-FILM,PEF;2.2nf,5%,50V,TP,7.4x3.9x13mm,		
2	C234	2301-000342	C-FILM,PEF;2.2nf,5%,50V,TP,7.4x3.9x13mm,		
2	C407	2301-000383	C-FILM,PEF;10nf,5%,50V,TP,6x7x3.2mm,5mm		
2	C227	2301-000445	C-FILM,PEF;4.7nf,5%,50V,TP,5.5x7x3mm,5mm		
2	C248	2301-000445	C-FILM,PEF;4.7nf,5%,50V,TP,5.5x7x3mm,5mm		
2	C420	2301-001065	C-FILM,MPPF;47nf,5%,630V,TP,19x15.5x7.7		
2	C301	2305-000285	C-FILM,MPEF;220NF,5%,100V,TP,10.5X5.5X15		
2	C215	2305-000289	C-FILM,MPEF;220NF,5%,63V,TP,-,5mm		
2	C216	2305-000289	C-FILM,MPEF;220NF,5%,63V,TP,-,5mm		
2	C233	2305-000289	C-FILM,MPEF;220NF,5%,63V,TP,-,5mm		
2	C611	2305-000289	C-FILM,MPEF;220NF,5%,63V,TP,-,5mm		
2	C613	2305-000289	C-FILM,MPEF;220NF,5%,63V,TP,-,5mm		

Level	Loc. No.	Code No.	Description ; Specification	Remark	
△	2	CR405S	2305-000382	C-FILM,MPEF;4.7nf,5%,400V,TP,-,5mm	
2	C103	2305-000665	C-FILM,MPEF;100nf,5%,63V,TP,7.5x4.0x5.0m		
2	C208	2305-000665	C-FILM,MPEF;100nf,5%,63V,TP,7.5x4.0x5.0m		
2	C210	2305-000665	C-FILM,MPEF;100nf,5%,63V,TP,7.5x4.0x5.0m		
2	C230	2305-000665	C-FILM,MPEF;100nf,5%,63V,TP,7.5x4.0x5.0m		
2	C803	2305-000665	C-FILM,MPEF;100nf,5%,63V,TP,7.5x4.0x5.0m		
2	C819	2305-000665	C-FILM,MPEF;100nf,5%,63V,TP,7.5x4.0x5.0m		
2	C913	2305-000665	C-FILM,MPEF;100nf,5%,63V,TP,7.5x4.0x5.0m		
2	C218	2305-000665	C-FILM,MPEF;100nf,5%,63V,TP,7.5x4.0x5.0m		
2	C204	2305-000665	C-FILM,MPEF;100nf,5%,63V,TP,7.5x4.0x5.0m		
2	C205	2305-000665	C-FILM,MPEF;100nf,5%,63V,TP,7.5x4.0x5.0m		
2	C231	2305-000665	C-FILM,MPEF;100nf,5%,63V,TP,7.5x4.0x5.0m		
2	C618	2305-000665	C-FILM,MPEF;100nf,5%,63V,TP,7.5x4.0x5.0m		
2	C225	2309-000138	C-FILM,PE-PPF;100nf,5%,50V,TP,20x16x8.5,		
2	C812	2401-000262	C-AL;100uf,20%,160V,HR,TP,16x25,7.5		
2	C817	2401-000302	C-AL;100uf,20%,25V,GPTP,6.3x11,5		
2	C823	2401-000302	C-AL;100uf,20%,25V,GPTP,6.3x11,5		
2	C915	2401-000302	C-AL;100uf,20%,25V,GPTP,6.3x11,5		
2	C307	2401-000360	C-AL;100uf,20%,50V,GPTP,8x11,5,5		
2	C308	2401-000360	C-AL;100uf,20%,50V,GPTP,8x11,5,5		
2	C506	2401-000430	C-AL;10uf,20%,250V,GPTP,10x16mm,5m		
2	C820	2401-000480	C-AL;10uf,20%,50V,GPTP,5x11,5		
2	C612	2401-000480	C-AL;10uf,20%,50V,GPTP,5x11,5		
2	C604	2401-000480	C-AL;10uf,20%,50V,GPTP,5x11,5		
2	C219	2401-000603	C-AL;1uf,20%,50V,GPTP,5x11,5		
2	C212	2401-000660	C-AL;2.2uf,20%,50V,GPTP,5x11,5		
2	C221	2401-000660	C-AL;2.2uf,20%,50V,GPTP,5x11,5		
2	C605	2401-000660	C-AL;2.2uf,20%,50V,GPTP,5x11,5		
2	C222	2401-000758	C-AL;220nf,20%,50V,GPTP,5x11,5		
2	C827	2401-000927	C-AL;22uf,20%,250V,GPTP,13x20,5		
2	C110	2401-000962	C-AL;22uf,20%,50V,GPTP,5x11,5		
2	C101	2401-001101	C-AL;330uf,20%,16V,GPTP,8x11,5,5		
2	C802	2401-001192	C-AL;33uf,20%,50V,GPTP,6.3x11,5		
2	C504	2401-001232	C-AL;4.7uf,20%,250V,GPTP,10x12,5,5		
2	C209	2401-001840	C-AL;100uf,20%,16V,GPTP,6.3x11,5		
2	C213	2401-001840	C-AL;100uf,20%,16V,GPTP,6.3x11,5		
2	C229	2401-001840	C-AL;100uf,20%,16V,GPTP,6.3x11,5		
2	C903	2401-001840	C-AL;100uf,20%,16V,GPTP,6.3x11,5		
2	C910	2401-001840	C-AL;100uf,20%,16V,GPTP,6.3x11,5		
2	C705	2401-001989	C-AL;4.7uf,20%,50V,BP,TP,5x11,5		
2	C706	2401-001989	C-AL;4.7uf,20%,50V,BP,TP,5x11,5		
2	C710	2401-001989	C-AL;4.7uf,20%,50V,BP,TP,5x11,5		
2	C711	2401-001989	C-AL;4.7uf,20%,50V,BP,TP,5x11,5		
2	C601	2401-001998	C-AL;100uf,20%,25V,GPTP,10x20,5mm		
2	C206	2401-002235	C-AL;10uf,20%,16V,GPTP,5x11mm,5mm		
2	C220	2401-002235	C-AL;10uf,20%,16V,GPTP,5x11mm,5mm		
2	C709	2401-002235	C-AL;10uf,20%,16V,GPTP,5x11mm,5mm		
2	C306	2401-002288	C-AL;470uf,20%,25V,WT,TP,10x20,5		
2	C304	2401-002288	C-AL;470uf,20%,25V,WT,TP,10x20,5		
2	C813	2401-002290	C-AL;47uf,20%,160V,GPTP,13x20,5		
2	C406	2401-002619	C-AL;47uf,20%,25V,GPTP,5x11,5		
2	C214	2401-003102	C-AL;100uf,20%,10V,GPTP,5x11,5		
2	L103	2701-000114	INDUCTOR-AXIAL;10uH,10%,2.5x3.4mm		
2	L202	2701-000114	INDUCTOR-AXIAL;10uH,10%,2.5x3.4mm		
2	L301	2701-000142	INDUCTOR-AXIAL;1uH,10%,2.5x3.4mm		
2	L302	2701-000142	INDUCTOR-AXIAL;1uH,10%,2.5x3.4mm		
2	L404	2701-000142	INDUCTOR-AXIAL;1uH,10%,2.5x3.4mm		
2	L903	2701-000158	INDUCTOR-AXIAL;22uH,10%,2.5x3.4mm		
2	L102	2701-000159	INDUCTOR-AXIAL;22uH,10%,4.2x9.8mm		
2	L201	2701-000159	INDUCTOR-AXIAL;22uH,10%,4.2x9.8mm		
2	L205	2701-000159	INDUCTOR-AXIAL;22uH,10%,4.2x9.8mm		
2	L405	2701-000159	INDUCTOR-AXIAL;22uH,10%,4.2x9.8mm		
2	L902	2701-000180	INDUCTOR-AXIAL;33uH,5%,2.5x3.4mm		
2	L904	2701-000180	INDUCTOR-AXIAL;33uH,5%,2.5x3.4mm		
2	L702	2701-000184	INDUCTOR-AXIAL;4.7uH,10%,2.5x3.4mm		
2	L703	2701-000184	INDUCTOR-AXIAL;4.7uH,10%,2.5x3.4mm		
2	L704	2701-000184	INDUCTOR-AXIAL;4.7uH,10%,2.5x3.4mm		
2	L706	2701-000184	INDUCTOR-AXIAL;4.7uH,10%,2.5x3.4mm		
2	L204	2701-000184	INDUCTOR-AXIAL;4.7uH,10%,2.5x3.4mm		
2	X901	2801-003937	CRYSTAL-UNIT;12MHz,25ppm,28-AAM,30pf,30o		
△	2	L403	2901-000297	FILTER-EMI ON BOARD,-;3A,-,-,3.5x5,TP-	
2	L806	2901-000297	FILTER-EMI ON BOARD,-;3A,-,-,3.5x5,TP-		
2	L808	2901-000297	FILTER-EMI ON BOARD,-;3A,-,-,3.5x5,TP-		
2	Z202	2903-001040	FILTER-CERAMIC;TR,5.5/6/6.5MHz,-,1dB,-		
2	L802	3301-000287	CORE-FERRITE BEAD;AA,3.5x1.0x6.0mm,1500,		
2	L803	3301-000287	CORE-FERRITE BEAD;AA,3.5x1.0x6.0mm,1500,		
2	J910	3301-000287	CORE-FERRITE BEAD;AA,3.5x1.0x6.0mm,1500,		



Level	Loc. No.	Code No.	Description ; Specification	Remark
2	EY813	AA60-40011A	K EYELET;ID2,0,OD2,8,BST	
2	EY818	AA60-40011A	K EYELET;ID2,0,OD2,8,BST	
2	EY819	AA60-40011A	K EYELET;ID2,0,OD2,8,BST	
2	EY821	AA60-40011A	K EYELET;ID2,0,OD2,8,BST	
2	EY822	AA60-40011A	K EYELET;ID2,0,OD2,8,BST	
2	EY823	AA60-40011A	K EYELET;ID2,0,OD2,8,BST	
2	EY824	AA60-40011A	K EYELET;ID2,0,OD2,8,BST	
2	EY825	AA60-40011A	K EYELET;ID2,0,OD2,8,BST	
2	EY827	AA60-40011A	K EYELET;ID2,0,OD2,8,BST	
2	EY828	AA60-40011A	K EYELET;ID2,0,OD2,8,BST	
2	EY829	AA60-40011A	K EYELET;ID2,0,OD2,8,BST	
2	EY830	AA60-40011A	K EYELET;ID2,0,OD2,8,BST	
2	EY833	AA60-40011A	K EYELET;ID2,0,OD2,8,BST	
2	EY850	AA60-40011A	K EYELET;ID2,0,OD2,8,BST	
2	EY851	AA60-40011A	K EYELET;ID2,0,OD2,8,BST	
2	EY852	AA60-40011A	K EYELET;ID2,0,OD2,8,BST	
2	EY853	AA60-40011A	K EYELET;ID2,0,OD2,8,BST	
2	EY860	AA60-40011A	K EYELET;ID2,0,OD2,8,BST	
2	EY861	AA60-40011A	K EYELET;ID2,0,OD2,8,BST	
2	EL301	AA60-40011B	K EYELET;ID2,2,OD3,2,BSP	
2	EL302	AA60-40011B	K EYELET;ID2,2,OD3,2,BSP	
2	EL403	AA60-40011B	K EYELET;ID2,2,OD3,2,BSP	
2	EL404	AA60-40011B	K EYELET;ID2,2,OD3,2,BSP	
2	EL407	AA60-40011B	K EYELET;ID2,2,OD3,2,BSP	
2	EL408	AA60-40011B	K EYELET;ID2,2,OD3,2,BSP	
2	EL501	AA60-40011B	K EYELET;ID2,2,OD3,2,BSP	
2	EL502	AA60-40011B	K EYELET;ID2,2,OD3,2,BSP	
2	EL601	AA60-40011B	K EYELET;ID2,2,OD3,2,BSP	
2	EL602	AA60-40011B	K EYELET;ID2,2,OD3,2,BSP	
2	EL603	AA60-40011B	K EYELET;ID2,2,OD3,2,BSP	
2	EL604	AA60-40011B	K EYELET;ID2,2,OD3,2,BSP	
2	EL801	AA60-40011B	K EYELET;ID2,2,OD3,2,BSP	
2	EL802	AA60-40011B	K EYELET;ID2,2,OD3,2,BSP	
2	EL804	AA60-40011B	K EYELET;ID2,2,OD3,2,BSP	
2	GT101	AA60-40014A	PIN-GT,ASSY,AUTO	
2	GT502	AA60-40014A	PIN-GT,ASSY,AUTO	
2	GT802	AA60-40014A	PIN-GT,ASSY,AUTO	
2	GT803	AA60-40014A	PIN-GT,ASSY,AUTO	
2	GT804	AA60-40014A	PIN-GT,ASSY,AUTO	
2	GT805	AA60-40014A	PIN-GT,ASSY,AUTO	
2	GT806	AA60-40014A	PIN-GT,ASSY,AUTO	
2	GT501	AA60-40014A	PIN-GT,ASSY,AUTO	
2	GT807	AA60-40014A	PIN-GT,ASSY,AUTO	
2	R424	2004-001402	R-METAL(S);6.8Kohm,1%,1/2W,AA,TP2,4x6.4	
2	R423	2004-001373	R-METAL(S);100Kohm,1%,1/2W,AA,TP2,4x6.4	
△	FD801S	3601-001163	FUSE-AXIAL LEAD;125V,7A,-EPOXY,2.4X7.1MM	
△	D807	0402-000493	DIODE-RECTIFIER;1R5GU41,400V,1.5A,DO-15L	
2	D303	0402-000132	DIODE-RECTIFIER;1N4004,400V,1A,DO-41,TP	
△	D809	0402-000132	DIODE-RECTIFIER;1N4004,400V,1A,DO-41,TP	
2	C115	2202-000632	C-CERAMIC,MLC-AXIAL;100nF,20%,50V,Z5U,TP	
2	C211	2202-000632	C-CERAMIC,MLC-AXIAL;100nF,20%,50V,Z5U,TP	
2	C911	2202-000632	C-CERAMIC,MLC-AXIAL;100nF,20%,50V,Z5U,TP	
2	C822	2401-000711	C-AL;2200uf,20%,25V,GP,TP;16x25,7.5	
2	C806	2301-001435	C-FILM,PPF;1.5nF,5%,1.2Kv,TP;15x8x12.5mm	
2	C207	2305-000412	C-FILM,MPEF;470nF,5%,63V,TP,-,5mm	
2	C901	2305-000412	C-FILM,MPEF;470nF,5%,63V,TP,-,5mm	
2	HIC01	AA13-20004W	IC HYBRID,-,PAP103T,SIP6P,PRE-AMPTP	
2	RW701	2011-001133	R-NETWORK;33K/24K/75x3,5%,1/8W,X,SIP6P	
2	R303	2008-001133	R-FUSIBLE(S);0.75ohm,5%,2W,AF,TP;3.9x10mm	
2	PCB	AA41-00131G	PCB-MAIN;CS2139,FR-1,1L,G,1.6T,245X245,K	
2	C702	2202-000210	C-CERAMIC,MLC-AXIAL;270pF,10%,50V,Y5P,TP	
2	R413	2003-001035	R-METAL OXIDE(S);27ohm,5%,2W,AF,TP;3.9x1	
△	FP801S	3601-000281	FUSE-CARTRIDGE;250V,4A,TIME-LAG,GLASS,5.	
2	L101	2701-000171	INDUCTOR-AXIAL;330nH,10%,2.5x3.4mm	
2	Z203	2903-000181	FILTER-CERAMIC,BR;5.5MHz,-,-,TP,TPS5.5	
2	J101	2001-000613	R-CARBON;3.9KOHM,5%,1/8W,AA,TP,1.8X3.2M	
2	L807	2701-001030	INDUCTOR-AXIAL;43uH,10%,5x14mm	
2	L804	2701-001030	INDUCTOR-AXIAL;43uH,10%,5x14mm	
2	C403	2401-000560	C-AL;1uf,20%,160V,GP,TP;6.3x11,5	
2	C615	2202-000253	C-CERAMIC,MLC-AXIAL;4.7nF,20%,16V,Y5R,TP	
△	D804	0401-000006	DIODE-SWITCHING;BAV21,250V,250mA,DO-35,T	
△	D805	0402-001470	DIODE-RECTIFIER;RU2BV1,800V,1A,DO-204AC	
2	R808	2001-001138	R-CARBON(S);390OHM,5%,1/2W,AA,TP;2.4X6.4	
2	R831	2001-001088	R-CARBON(S);1KOHM,5%,1/2W,AA,TP;2.4X6.4M	
2	L104	2701-000168	INDUCTOR-AXIAL;3.3uH,5%,2.5x3.4mm	
2	C203	2401-002462	C-AL;33uf,20%,16V,GP,TP;5x11,5	
2	R811	2003-002239	R-METAL OXIDE(S);100KOHM,5%,2W,AF,TP;3.9	

Level	Loc. No.	Code No.	Description ; Specification	Remark	
2	R812	2003-002239	R-METAL OXIDE(S);100KOHM,5%,2W,AF,TP;3.9		
2	R302	2004-004969	R-METAL(S);1.1Kohm,1%,1/2W,AA,TP2,4x6.4		
2	R421	2008-001013	R-FUSIBLE(S);1.2ohm,5%,2W,AF,TP;3.9x10mm		
2	R505	2008-001011	R-FUSIBLE(S);0.18ohm,10%,2W,AF,TP;3.9x10		
2	R840	2001-001122	R-CARBON(S);3.9KOHM,5%,1/2W,AA,TP;2.4X6.		
2	C818	2401-003028	C-AL;100uf,20%,25V,WT,TP;6.3x11,5		
2	C821	2401-003028	C-AL;100uf,20%,25V,WT,TP;6.3x11,5		
2	R728	2001-000273	R-CARBON;100KOHM,5%,1/8W,AA,TP,1.8X3.2M		
2	R923	2001-000273	R-CARBON;100KOHM,5%,1/8W,AA,TP,1.8X3.2M		
2	C603	2301-000247	C-FILM,PEF;33nF,5%,50V,TP;8.1x4.5x13mm,5		
2		0203-001123	TAPE-PAPER;#53131,TO.15,VW6.0,L200000,YEL		
2	C102	2202-000279	C-CERAMIC,MLC-AXIAL;47pF,5%,50V,SL,TP;3.		
2	DZ401	0403-001319	DIODE-ZENER;MTZJ4.7C,4.68-4.93V,500mW,DO		
2	DZ906	0403-001319	DIODE-ZENER;MTZJ4.7C,4.68-4.93V,500mW,DO		
2	DZ907	0403-001319	DIODE-ZENER;MTZJ4.7C,4.68-4.93V,500mW,DO		
2	DZ908	0403-001319	DIODE-ZENER;MTZJ4.7C,4.68-4.93V,500mW,DO		
2	R306	2004-001390	R-METAL(S);1Kohm,2%,1/2W,AA,TP2,4x6.4mm		
△	2	NT802S	1404-001045	THERMISTOR-NTC;4.7ohm,15%,2900K,35.0mW,T	
△	2	P803S	1404-001156	THERMISTOR-PTC;90HM,+30%/ -20%,220V,RMS,27	
△	2	CX801S	2306-000318	C-FILM,MPPF;220nF,20%,250V,TP,22.5mm	
△	2	SF101S	2904-001063	FILTER-SAW AV;38.9MHz,SIP5K,TP,18.5dB,B/	
△	2	T401	AA26-50001B	TRANS-HORIZ DRIVE,-,-,7.1mH,-,102uH,-	
△	2	LX801S	AA29-30001D	FILTER LINE NOISE;SQ1913,-,6.0MH,0.8A,-	
△	2	TU01S	AA40-00076A	TUNER;TECC0949PG35A(S),PAL,181CH,38.	
2	LD901	AA96-00555A	ASSY LED GUIDE,-,-,UEX-LD-030,GREEN		
2	IC501	AA96-00842A	ASSY H/S,-,VIDEO,AA62-30175D,TDA6107Q		
3	IC501	1201-001541	IC-VIDEO AMP;6107,ZSIP9P,-,SINGLE,-,PLA		
3	SCR501	6003-000334	SCREW-TAPTITE;RH,+2S,M3,L6,ZPC(YEL),SWR		
3	H/S501	AA62-30175D	HEAT SINK-PS,-,SECC,T1.0,-,33X15X30 FT-2		
2	V998S	3704-001105	SOCKET-CRT;11P;20PI,26.5PI,NL,-		
2	RM901	AA32-00015A	MODULE REMOCON;FRP-3521H31,38KHZ,940MM,M		
△	2	IC801S	AA96-00845A	ASSY H/S,-,POWER,AA62-30186B,KA500765R	
△	3	IC801	1203-001932	IC-PWM CONTROLLER;50Q765,TO-220F,5P,185M	
3	SCR801	6003-000333	SCREW-TAPTITE;RH,+2S,M3,L10,ZPC(YEL),SV		
3	H/S801	AA62-30186B	HEAT SINK-ES,-,-,SILVER,171J + COVER-H		
3		HA68-02189A	LABEL-WARNING,-,33MM,18MM,WHITE		
3		0205-000129	GREASE-SILICON;SC102,JAPAN		
△	2	IC802	AA96-00846A	ASSY H/S,-,POWER,AA62-00055A,KA7632	
△	3	IC802	1203-001939	IC-POS.FIXED REG.;7632,SIP,10P,-,PLASTI	
3	H/S802	AA62-00055A	HEAT SINK-PS,-,T1.0,-,35*15*25,D1,-,-		
3	SCR802	6003-000334	SCREW-TAPTITE;RH,+2S,M3,L6,ZPC(YEL),SWR		
△	2	T801S	AA26-00134A	TRANS SWITCHING,-,CS21S5T,160V-260V,PM2 P	
△	2	IC902	1103-001106	IC-EEPROM;C81DC,1028x8Bit,DIP8P;300MIL,	
△	2	SW801S	3403-001107	SWITCH-PUSH;250V,5A,DPST,-,KDC-A04	
2	Q401	0502-001160	TR-POWER;2SD2499,NPN,50000mW,TO-3PB,K		
2	JS701	3722-000183	JACK-SCART;21P4mm,SN,BLK,NO		
2	TOP	AA39-20010D	LEAD CONNECTOR-ASSY,-,1PYFH800-01,S,400,		
2	CN501	AA39-20620C	LEAD CONNECTOR-ASSY,-,9PYBNH250-09,S,500		
2	IC301	AA96-00847A	ASSY H/S,-,AA62-00046A,LA7840		
3		1204-001483	IC-VERTICAL PROCESSO;LA7840,SIP7P;708MI		
3		AA62-00064A	HEAT SINK-PS;DP,-,-,AA62-00046A,-,-,-		
3		6003-000334	SCREW-TAPTITE;RH,+2S,M3,L6,ZPC(YEL),SWR		
3		0205-000129	GREASE-SILICON;SC102,JAPAN		
2	C801	2401-002221	C-AL;220uf,20%,450V,GP,ST;25x40,10		
△	2	T444S	AA26-00116A	TRANS FBTF;FV-14A004H(S),CT15A8,3.24MH,1	
2	SUB	AA98-00079A	ASSY SUB PART;KS1A,MAIN(OPT),PAL,-		
3		0202-000008	SOLDER-WIRE;S63S-W3.0,S63S,D3,63Sn/37Pb,		
3		0202-000187	SOLDER-WIRE FLUX,-,RS60S,D1.2,63Sn/37Pb		
3		0204-000442	SOLVENT;1M-1000,C3H7OH,9,-		
3		0204-001024	FLUX;DF-98TVS,-,20%,-		
△	2	CR410S	2303-001015	C-FILM,PPF;5.5nF,5%,1.6kV,TP;29x9.5x17.2	
2	IC602	AA96-00848A	ASSY H/S,-,SOUND,AA62-30175D,TDA8943		
3	SCR602	6003-000334	SCREW-TAPTITE;RH,+2S,M3,L6,ZPC(YEL),SWR		
3	H/S602	AA62-30175D	HEAT SINK-PS,-,SECC,T1.0,-,33X15X30 FT-2		
3	IC602	1201-001740	IC-AUDIO AMP;TDA8943,SIL,9P,850MIL,SINGL		
3	CN601	3711-002642	CONNECTOR-HEADER;BOX,3P1R,2.5mm,STRAIGH		
2	LW01	AA27-40001M	COIL HORIZ WIDTH,-,180/480uH,SB-SS6202.		
△	2	CY801S	2201-000446	C-CERAMIC,DISC;3.3nF,20%,400V,Y5U,TP;15x	
△	2	CR402S	2306-000350	C-FILM,MPPF;270nF,5%,400V,TP;26X18.5X10M	
△	2	LR401S	AA27-30001B	COIL LINEARITY,-,195uH,QIC1010,Pi0.4,4.5	
△	2	IC201S	AA09-00287A	MICOM;TDA9351/N2/31,SPM-802EE2,64P;3	
2	CN401	AA60-40012D	PIN-GT,ASSY;T1.6,6-12.5,-,NYLON66		
2	CN703	3711-002646	CONNECTOR-HEADER;BOX,7P1R,2.5mm,STRAIGH		

Level	Loc. No.	Code No.	Description ; Specification	Remark	Level	Loc. No.	Code No.	Description ; Specification	Remark
<b>ASSY CRT</b>									
1		AA94-05859A	ASSY CRT;A51EER31X,+400MG,21		3		AA64-70127F	BADGE-BRAND;NEW,AL,-,L40,R800,SILVER,S	
△ 2		AA03-00279A	CRT COLOR;A51EER33X,+380MG,2.07MH,21.0MH		3		AA61-60003J	SPRING ETC-CS,-,SUS304,-,OD6,N7,OD6,-	
2		AA27-20003Z	COIL DEGAUSSING,-,21,13.5ohm,25T,L2380,E		3	KC+CF	6003-001019	SCREW-TAPTITE;RH,+B,M4,L12,ZPC(BLK),SWR	
2		AA63-10002A	BAND-TIE;NYLON66 V2,L100,NTR		3	WR+CF	6003-001019	SCREW-TAPTITE;RH,+B,M4,L12,ZPC(BLK),SWR	
2		AA98-70030A	ASSY TBC WIRE(P);DP21,AA98-70014C,1P,TV		3	SPK+CF	6003-001019	SCREW-TAPTITE;RH,+B,M4,L12,ZPC(BLK),SWR	
2		AA65-30107A	CLAMPER CORE-D,COIL;20-22 INCH,NYLON 66,		3		AA96-01188A	ASSY HOLDER SPK;160HM,3001-001008,AA39-2	
<b>ASSY PCB MISC-A/V SIDE</b>									
1		AA94-12271B	ASSY PCB MISC-A/V SIDE;21F3,PAL		4		AA39-20500G	LEAD CONNECTOR-ASSY;,3(2),67096-003,REC,	
2	AV+CF	6003-001023	SCREW-TAPTITE;RWH,+B,M3,L10,ZPC(YEL),SW		4		3001-001008	SPEAKER;5W,16ohm,90dB,180Hz	
2		AA63-10002A	BAND-TIE;NYLON66 V2,L100,NTR		3		AA61-40113A	STOPPER-PCB;501H,HIPS,-,HB,NTR,-	
2		AA61-01234A	HOLDER-AV;21F3,HIPS HB,G4309,SV012P		3		HA61-00721B	HOLDER-RAIL;21F5,HIPS,HB,GRY	
2		AA64-03080B	INLAY-AV;21F3,PS SHEET,TO.3,BLK,KS1A,SIL		4		HA83-00006A	LP-RESIN HIPS;BAS495F,NTR,HB	
2		AA63-00632A	COVER-AV;21F3,HIPS,HB,BLK		4		HA83-00011A	LP-RESIN;M BATCH,WILSON 6007-GY-60,GRY	
2		6003-000334	SCREW-TAPTITE;RH,+2S,M3,L6,ZPC(YEL),SWR		2	qms	HA83-00052A	LP-TAPE-INK;WIDTH 55 MM	
					2	rating	HA83-00052A	LP-TAPE-INK;WIDTH 55 MM	
					2		HA68-02177B	LABEL-PQS;ALL,30MM,65MM,WHITE,AA68-02177	
					2		AA65-30018A	CLAMPER CORE-WIRE;DONG-A,NYLON-66,-,-,-	
					2		HA68-02179A	LABEL-RATING;58MM,53MM,WHITE	
<b>ASSY ETC-A/V SIDE</b>									
1		AA95-03124A	ASSY ETC-A/V SIDE;20F3-21F3,KS1A		1		AA94-05817A	ASSY ACCESSORY;20-21,KS1A,XEH	
2		0202-000008	SOLDER-WIRE;S63S-W3.0,S63S,D3,63Sn/37Pb,		2		HA68-00320A	LABEL CAUTION;-S15A,CEFTA,-,-,-	
2		0202-000187	SOLDER-WIRE FLUX;-RS60S,D1.2,63Sn/37Pb		2		HA68-00336B	CARD-WARRANTY;A/P100(G),A5,NEW VERSION,I	
2		0204-000442	SOLVENT;1M-1000,C3H7OH,96,-		2		4301-000120	BATTERY-MN;1.5V,-AA,14.5x50mm,-	
2		0204-001024	FLUX;DF-98TVS,-,20%,-		2		HA83-00047A	LP-TAPEACETATE;TO.1MM,W20MM,L200MM	
2	JA701	3722-001041	JACK-RCA;1P3.4MM,#16-22,AU		2		HA69-00276A	BAG VINYL;HDPE,TO.025,L400,W240,-,W/O LO	
2	JA702	3722-001042	JACK-RCA;1P3.4MM,#16-22,AU	△ 1	P/CORD	AA96-01126A	ASSY POWER CORD;DPA39-10001G,CP2,H/CP25		
2	CN702	AA39-20070A	LEAD CONNECTOR-ASSY;.7PYBNH025-07,67096		2		AA39-10001G	CBF POWER CORD;-KKP-419C,KLCE-2F,2.286m	
2	CE04	2202-000121	C-CERAMIC,MLC-AXIAL;100pf,10%,50V,Y5P,TP		2		AA61-20284A	HOLDER-P-CORD,PP,-,-,BLK,V0,KE-002	
2	LE04	2701-000114	INDUCTOR-AXIAL;10uH,10%,2.5x3.4mm						
2	PCB	AA41-00751A	PCB-A/V SIDE;CS21F3,FR-1,1L,A,1.6T,245X2						
<b>ASSY COVER REAR</b>									
1		AA90-04456A	ASSY COVER REAR;21F3,SEH		1		AA92-07438A	ASSY BOX;21F3,SEH	
2		AA64-03006A	CABINET-BACK;21F3,HIPS,FV2,G4309		2		AA69-01845B	PACKING CASE;21F3,D-2 BB,A1,YEL,SEH	
3		AA81-00096A	RESIN-A;VL-1823,G5433,A		2		HA68-02178A	LABEL-BOX;250MM,89MM,WHITE	
3		HA83-00011A	LP-RESIN;M BATCH,WILSON 6007-GY-60,GRY		2		HA83-00046A	LP-TAPE INK;WIDTH 105 MM	
2	CB+CF	6002-000515	SCREW-TAPPING;RH,+2,M4,L15,ZPC(WHT),SWR						
2		AA65-30008A	CLAMPER CORE-CORD;-PE,HB,-,BLK,-						
2		AA65-30110A	CLAMPER CORE-WIRE;ALL MODEL,NYLON 66,V2,						
<b>ASSY COVER FRONT</b>									
1		AA90-04455A	ASSY COVER FRONT;21F3,SEH		1		AA92-07440A	ASSY P/MATERIAL;21F3	
2		AA96-01258A	ASSY COVER P-FRONT;21F3,HIPS HB,SV012P S		2		AA60-40006A	PIN-STAPLE;AUTO,33X17.8X2.4,H18,33X17.8X	
3		AA64-03005B	CABINET-FRONT;21F3,HIPS,HB,G4309,SV012P		2		AA69-01799A	CUSHION SET;21F3,PS FOAMED,C=0.02	
4		HA83-00021A	LP-MARKING PAINT;WHITE,TPC180		2		AA69-00744C	BAG-SHEET;-HDPE PE FOAM,TO.015,W1050,H9	
4		HA83-00040A	LP-MARKING PAINT;METALLIC SILVER,SV-012						
4		HA83-00011A	LP-RESIN;M BATCH,WILSON 6007-GY-60,GRY						
4		HA83-00006A	LP-RESIN HIPS;BAS495F,NTR,HB						
3		AA64-03009A	KNOB-CONTROL;21F3,ABS,HB,G3676,SVM-3012						
4		HA83-00040A	LP-MARKING PAINT;METALLIC SILVER,SV-012						
4		HA83-00006A	LP-RESIN HIPS;BAS495F,NTR,HB						
4		HA83-00011A	LP-RESIN;M BATCH,WILSON 6007-GY-60,GRY						
3		AA64-03010A	KNOB-POWER;21F3,ABS,HB,G3676,SVM-3012						
4		HA83-00040A	LP-MARKING PAINT;METALLIC SILVER,SV-012						
4		HA83-00006A	LP-RESIN HIPS;BAS495F,NTR,HB						
4		HA83-00011A	LP-RESIN;M BATCH,WILSON 6007-GY-60,GRY						
3		AA64-03013A	WINDOW-RMC,LED;21F3,ACRYL,CLR						
4		HA83-00009A	LP-RESIN PC;LEXAN 121R,VIOLET						
3		AA65-30105A	CLAMPER CORE-WIRE;ALL MODEL,NYLON 66,V2,						
3		HA83-00049A	LP-ADHESIVE-HM;12MM,NTR						
<b>ASSY ACCESSORY</b>									
<b>ASSY POWER CORD</b>									
<b>ASSY BOX</b>									
<b>ASSY P/MATERIAL</b>									
<b>ASSY COVER FRONT</b>									
<b>REMOCON</b>									

## 7-12 CZ21F3Z2SXXEH

Level	Loc. No.	Code No.	Description ; Specification	Remark	Level	Loc. No.	Code No.	Description ; Specification	Remark
<b>ASSY PCB MAIN</b>									
1		AA94-12447A	ASSY PCB MAIN;CZ21F3Z2SXXEH,21F3,XEH		2	J125	2001-000016	R-CARBON(S);10HM,5%,1/2W,AA,TP,2.4X6.4MM	
2		HA68-02176A	LABEL,LABEL		2	R843	2001-000019	R-CARBON(S);100HM,5%,1/2W,AA,TP,2.4X6.4M	
2	D201	0401-000005	DIODE-SWITCHING;1N4148,100V,200mA,DO-35,		2	R618	2001-000019	R-CARBON(S);100HM,5%,1/2W,AA,TP,2.4X6.4M	
△	D811	0401-000005	DIODE-SWITCHING;1N4148,100V,200mA,DO-35,		2	R409	2001-000022	R-CARBON(S);330HM,5%,1/2W,AA,TP,2.4X6.4M	
△	D801S	0402-001111	DIODE-RECTIFIER;1N5397GP,600V,1.5A,DO-20		2	R823	2001-000037	R-CARBON(S);330OHM,5%,1/2W,AA,TP,2.4X6.4	
△	D802S	0402-001111	DIODE-RECTIFIER;1N5397GP,600V,1.5A,DO-20		2	R902	2001-000241	R-CARBON;1.5KOHM,5%,1/8W,AA,TP,1.8X3.2M	
△	D803S	0402-001111	DIODE-RECTIFIER;1N5397GP,600V,1.5A,DO-20		2	R904	2001-000241	R-CARBON;1.5KOHM,5%,1/8W,AA,TP,1.8X3.2M	
△	D804S	0402-001111	DIODE-RECTIFIER;1N5397GP,600V,1.5A,DO-20		2	R211	2001-000281	R-CARBON;100OHM,5%,1/8W,AA,TP,1.8X3.2MM	
2	D501	0402-000254	DIODE-RECTIFIER;RGP10J,600V,1A,DO-41,TP		2	R215	2001-000281	R-CARBON;100OHM,5%,1/8W,AA,TP,1.8X3.2MM	
△	D803	0402-000254	DIODE-RECTIFIER;RGP10J,600V,1A,DO-41,TP		2	R223	2001-000281	R-CARBON;100OHM,5%,1/8W,AA,TP,1.8X3.2MM	
2	D301	0402-001105	DIODE-RECTIFIER;ERB43-04SV1,400V,1.0A,-		2	R501	2001-000281	R-CARBON;100OHM,5%,1/8W,AA,TP,1.8X3.2MM	
2	D304	0402-001105	DIODE-RECTIFIER;ERB43-04SV1,400V,1.0A,-		2	R502	2001-000281	R-CARBON;100OHM,5%,1/8W,AA,TP,1.8X3.2MM	
△	D401	0402-001105	DIODE-RECTIFIER;ERB43-04SV1,400V,1.0A,-		2	R506	2001-000281	R-CARBON;100OHM,5%,1/8W,AA,TP,1.8X3.2MM	
2	D502	0402-001105	DIODE-RECTIFIER;ERB43-04SV1,400V,1.0A,-		2	R510	2001-000281	R-CARBON;100OHM,5%,1/8W,AA,TP,1.8X3.2MM	
2	D503	0402-001105	DIODE-RECTIFIER;ERB43-04SV1,400V,1.0A,-		2	R511	2001-000281	R-CARBON;100OHM,5%,1/8W,AA,TP,1.8X3.2MM	
2	D504	0402-001105	DIODE-RECTIFIER;ERB43-04SV1,400V,1.0A,-		2	R512	2001-000281	R-CARBON;100OHM,5%,1/8W,AA,TP,1.8X3.2MM	
△	D812	0402-001105	DIODE-RECTIFIER;ERB43-04SV1,400V,1.0A,-		2	R909	2001-000281	R-CARBON;100OHM,5%,1/8W,AA,TP,1.8X3.2MM	
2	D302	0402-001352	DIODE-RECTIFIER;GUF15G-20A,400V,1.5A,DO-		2	R911	2001-000281	R-CARBON;100OHM,5%,1/8W,AA,TP,1.8X3.2MM	
2	DZ402	0403-000508	DIODE-ZENER;MTZJ5.6B,5.6V,5.45-5.73V,500		2	R912	2001-000281	R-CARBON;100OHM,5%,1/8W,AA,TP,1.8X3.2MM	
2	DZ807	0403-000508	DIODE-ZENER;MTZJ5.6B,5.6V,5.45-5.73V,500		2	R913	2001-000281	R-CARBON;100OHM,5%,1/8W,AA,TP,1.8X3.2MM	
2	DZ810	0403-000508	DIODE-ZENER;MTZJ5.6B,5.6V,5.45-5.73V,500		2	R933	2001-000281	R-CARBON;100OHM,5%,1/8W,AA,TP,1.8X3.2MM	
2	DZ903	0403-000508	DIODE-ZENER;MTZJ5.6B,5.6V,5.45-5.73V,500		2	R934	2001-000281	R-CARBON;100OHM,5%,1/8W,AA,TP,1.8X3.2MM	
2	DZ904	0403-000508	DIODE-ZENER;MTZJ5.6B,5.6V,5.45-5.73V,500		2	R224	2001-000290	R-CARBON;10KOHM,5%,1/8W,AA,TP,1.8X3.2MM	
2	DZ905	0403-000508	DIODE-ZENER;MTZJ5.6B,5.6V,5.45-5.73V,500		2	R828	2001-000290	R-CARBON;10KOHM,5%,1/8W,AA,TP,1.8X3.2MM	
2	DZ901	0403-000508	DIODE-ZENER;MTZJ5.6B,5.6V,5.45-5.73V,500		2	R910	2001-000290	R-CARBON;10KOHM,5%,1/8W,AA,TP,1.8X3.2MM	
2	DZ101	0403-000700	DIODE-ZENER;TZP33A,33V,31-35V,1W,DO-41,T		2	R920	2001-000290	R-CARBON;10KOHM,5%,1/8W,AA,TP,1.8X3.2MM	
2	DZ303	0403-000700	DIODE-ZENER;TZP33A,33V,31-35V,1W,DO-41,T		2	R922	2001-000290	R-CARBON;10KOHM,5%,1/8W,AA,TP,1.8X3.2MM	
2	DZ803	0403-000700	DIODE-ZENER;TZP33A,33V,31-35V,1W,DO-41,T		2	R921	2001-000290	R-CARBON;10KOHM,5%,1/8W,AA,TP,1.8X3.2MM	
2	DZ201	0403-000720	DIODE-ZENER;MTZJ9.1B,9.1V,8.57-9.01V,500		2	R919	2001-000290	R-CARBON;10KOHM,5%,1/8W,AA,TP,1.8X3.2MM	
2	DZ204	0403-000720	DIODE-ZENER;MTZJ9.1B,9.1V,8.57-9.01V,500		2	R709	2001-000290	R-CARBON;10KOHM,5%,1/8W,AA,TP,1.8X3.2MM	
2	DZ205	0403-000720	DIODE-ZENER;MTZJ9.1B,9.1V,8.57-9.01V,500		2	R230	2001-000290	R-CARBON;10KOHM,5%,1/8W,AA,TP,1.8X3.2MM	
2	DZ207	0403-000720	DIODE-ZENER;MTZJ9.1B,9.1V,8.57-9.01V,500		2	R225	2001-001035	R-CARBON;910HM,5%,1/8W,AA,TP,1.8X3.2MM	
2	DZ501	0403-000720	DIODE-ZENER;MTZJ9.1B,9.1V,8.57-9.01V,500		2	R918	2001-000429	R-CARBON;1KOHM,5%,1/8W,AA,TP,1.8X3.2MM	
2	DZ502	0403-000720	DIODE-ZENER;MTZJ9.1B,9.1V,8.57-9.01V,500		2	R926	2001-000429	R-CARBON;1KOHM,5%,1/8W,AA,TP,1.8X3.2MM	
2	DZ503	0403-000720	DIODE-ZENER;MTZJ9.1B,9.1V,8.57-9.01V,500		2	R210	2001-000429	R-CARBON;1KOHM,5%,1/8W,AA,TP,1.8X3.2MM	
2	DZ504	0403-000720	DIODE-ZENER;MTZJ9.1B,9.1V,8.57-9.01V,500		2	R723	2001-000429	R-CARBON;1KOHM,5%,1/8W,AA,TP,1.8X3.2MM	
2	DZ704	0403-000720	DIODE-ZENER;MTZJ9.1B,9.1V,8.57-9.01V,500		2	R721	2001-000429	R-CARBON;1KOHM,5%,1/8W,AA,TP,1.8X3.2MM	
2	DZ808	0403-000720	DIODE-ZENER;MTZJ9.1B,9.1V,8.57-9.01V,500		2	R916	2001-000449	R-CARBON;2.2KOHM,5%,1/8W,AA,TP,1.8X3.2M	
2	DZ306	0403-000720	DIODE-ZENER;MTZJ9.1B,9.1V,8.57-9.01V,500		2	R917	2001-000449	R-CARBON;2.2KOHM,5%,1/8W,AA,TP,1.8X3.2M	
2	DZ307	0403-000720	DIODE-ZENER;MTZJ9.1B,9.1V,8.57-9.01V,500		2	R220	2001-000472	R-CARBON;2.7KOHM,5%,1/8W,AA,TP,1.8X3.2M	
2	DZ701	0403-000720	DIODE-ZENER;MTZJ9.1B,9.1V,8.57-9.01V,500		2	R901	2001-000472	R-CARBON;2.7KOHM,5%,1/8W,AA,TP,1.8X3.2M	
2	DZ702	0403-000720	DIODE-ZENER;MTZJ9.1B,9.1V,8.57-9.01V,500		2	R903	2001-000472	R-CARBON;2.7KOHM,5%,1/8W,AA,TP,1.8X3.2M	
2	DZ703	0403-000720	DIODE-ZENER;MTZJ9.1B,9.1V,8.57-9.01V,500		2	R907	2001-000472	R-CARBON;2.7KOHM,5%,1/8W,AA,TP,1.8X3.2M	
2	DZ801	0403-001140	DIODE-ZENER;RD10ESAB-T4,10V,9.19-10.30V,		2	R908	2001-000472	R-CARBON;2.7KOHM,5%,1/8W,AA,TP,1.8X3.2M	
2	DZ302	0403-001221	DIODE-ZENER;UZ398SB,35.36-37.19V,500mW,D		2	R214	2001-000490	R-CARBON;200OHM,5%,1/8W,AA,TP,1.8X3.2MM	
2	DZ806	0403-001317	DIODE-ZENER;MTZJ3.0B,3.01-3.22V,500mW,DO		2	R206	2001-000563	R-CARBON;27KOHM,5%,1/8W,AA,TP,1.8X3.2MM	
2	DZ802	0403-001318	DIODE-ZENER;MTZJ4.3B,4.17-4.43V,500mW,DO		2	R829	2001-000563	R-CARBON;27KOHM,5%,1/8W,AA,TP,1.8X3.2MM	
2	DZ203	0403-001322	DIODE-ZENER;MTZJ8.2B,7.78-8.19V,500mW,DO		2	R929	2001-000563	R-CARBON;27KOHM,5%,1/8W,AA,TP,1.8X3.2MM	
2	DZ805	0403-001327	DIODE-ZENER;MTZJ18A,16.22-17.06V,500mW,D		2	R208	2001-000591	R-CARBON;3.3KOHM,5%,1/8W,AA,TP,1.8X3.2M	
2	DZ301	0403-001328	DIODE-ZENER;MTZJ22A,20.15-21.20V,500mW,D		2	R202	2001-000689	R-CARBON;390KOHM,5%,1/8W,AA,TP,1.8X3.2M	
2	DZ305	0403-001328	DIODE-ZENER;MTZJ22A,20.15-21.20V,500mW,D		2	R925	2001-000734	R-CARBON;4.7KOHM,5%,1/8W,AA,TP,1.8X3.2M	
2	Q201	0501-000283	TR-SMALL SIGNAL;KSA539,PNP,400mW,TO-92,T		2	R841	2001-000734	R-CARBON;4.7KOHM,5%,1/8W,AA,TP,1.8X3.2M	
2	Q901	0501-000283	TR-SMALL SIGNAL;KSA539,PNP,400mW,TO-92,T		2	R601	2001-000734	R-CARBON;4.7KOHM,5%,1/8W,AA,TP,1.8X3.2M	
2	Q402	0501-000369	TR-SMALL SIGNAL;KSC2331-Y,NPN,1000mW,TO-		2	R227	2001-000739	R-CARBON;4.7MOHM,5%,1/8W,AA,TP,1.8X3.2M	
2	Q202	0501-000389	TR-SMALL SIGNAL;KSC815,NPN,400mW,TO-92,T		2	R228	2001-000739	R-CARBON;4.7MOHM,5%,1/8W,AA,TP,1.8X3.2M	
2	Q205	0501-000389	TR-SMALL SIGNAL;KSC815,NPN,400mW,TO-92,T		2	R109	2001-000786	R-CARBON;47KOHM,5%,1/8W,AA,TP,1.8X3.2MM	
2	Q701	0501-000389	TR-SMALL SIGNAL;KSC815,NPN,400mW,TO-92,T		2	R724	2001-000786	R-CARBON;47KOHM,5%,1/8W,AA,TP,1.8X3.2MM	
2	Q903	0501-000389	TR-SMALL SIGNAL;KSC815,NPN,400mW,TO-92,T		2	R725	2001-000786	R-CARBON;47KOHM,5%,1/8W,AA,TP,1.8X3.2MM	
2	Q905	0501-000389	TR-SMALL SIGNAL;KSC815,NPN,400mW,TO-92,T		2	R726	2001-000786	R-CARBON;47KOHM,5%,1/8W,AA,TP,1.8X3.2MM	
2	Q704	0501-000389	TR-SMALL SIGNAL;KSC815,NPN,400mW,TO-92,T		2	R727	2001-000786	R-CARBON;47KOHM,5%,1/8W,AA,TP,1.8X3.2MM	
△	VX801S	1405-000187	VARIABLE;750V,1250A,12.5x7mm,TP		2	R209	2001-000793	R-CARBON;47OHM,5%,1/8W,AA,TP,1.8X3.2MM	
2	R207	2001-000005	R-CARBON;390ohm,5%,1/8W,AA,TP,1.8x3.2mm		2	R927	2001-000793	R-CARBON;47OHM,5%,1/8W,AA,TP,1.8X3.2MM	
2	R905	2001-000005	R-CARBON;390ohm,5%,1/8W,AA,TP,1.8x3.2mm		2	R203	2001-000857	R-CARBON;560OHM,5%,1/8W,AA,TP,1.8X3.2MM	
2	R906	2001-000005	R-CARBON;390ohm,5%,1/8W,AA,TP,1.8x3.2mm		2	R204	2001-000857	R-CARBON;560OHM,5%,1/8W,AA,TP,1.8X3.2MM	
2	R218	2001-000008	R-CARBON;15KOHM,5%,1/8W,AA,TP,1.8X3.2MM		2	R713	2001-000857	R-CARBON;560OHM,5%,1/8W,AA,TP,1.8X3.2MM	
2	R602	2001-000008	R-CARBON;15KOHM,5%,1/8W,AA,TP,1.8X3.2MM		2	R715	2001-000857	R-CARBON;560OHM,5%,1/8W,AA,TP,1.8X3.2MM	
2	R205	2001-000011	R-CARBON;75KOHM,5%,1/8W,AA,TP,1.8X3.2MM		2	R110	2001-000924	R-CARBON;680OHM,5%,1/8W,AA,TP,1.8X3.2MM	
2	R301	2001-000016	R-CARBON(S);10HM,5%,1/2W,AA,TP,2.4X6.4MM		2	R915	2001-000924	R-CARBON;680OHM,5%,1/8W,AA,TP,1.8X3.2MM	



Electrical Parts List

Level	Loc. No.	Code No.	Description ; Specification	Remark	Level	Loc. No.	Code No.	Description ; Specification	Remark
2	R722	2001-000924	R-CARBON;680OHM,5%,1/8W,AA,TP,1.8X3.2MM						
2	R108	2001-000947	R-CARBON;7.5KOHM,5%,1/8W,AA,TP,1.8X3.2M		△	C613	2305-000289	C-FILM,MPEF;220nF,5%,63V,TP,-5mm	
2	R222	2001-000947	R-CARBON;7.5KOHM,5%,1/8W,AA,TP,1.8X3.2M			CR405S	2305-000382	C-FILM,MPEF;4.7nF,5%,400V,TP,-5mm	
2	R702	2001-000969	R-CARBON;750HM,5%,1/8W,AA,TP,1.8X3.2MM		2	C103	2305-000665	C-FILM,MPEF;100nF,5%,63V,TP,7.5x4.0x5.0m	
2	R719	2001-000969	R-CARBON;750HM,5%,1/8W,AA,TP,1.8X3.2MM		2	C208	2305-000665	C-FILM,MPEF;100nF,5%,63V,TP,7.5x4.0x5.0m	
2	R720	2001-000969	R-CARBON;750HM,5%,1/8W,AA,TP,1.8X3.2MM		2	C210	2305-000665	C-FILM,MPEF;100nF,5%,63V,TP,7.5x4.0x5.0m	
2	R408	2001-001037	R-CARBON(S);0.390HM,5%,1/2W,AA,TP,2.4X6.4		2	C230	2305-000665	C-FILM,MPEF;100nF,5%,63V,TP,7.5x4.0x5.0m	
2	R504	2001-001062	R-CARBON(S);10MOHM,5%,1/2W,AA,TP,2.4X6.4		2	C803	2305-000665	C-FILM,MPEF;100nF,5%,63V,TP,7.5x4.0x5.0m	
2	R414	2001-001078	R-CARBON(S);15KOHM,5%,1/2W,AA,TP,2.4X6.4		2	C819	2305-000665	C-FILM,MPEF;100nF,5%,63V,TP,7.5x4.0x5.0m	
2	R806	2001-001108	R-CARBON(S);22KOHM,5%,1/2W,AA,TP,2.4X6.4		2	C913	2305-000665	C-FILM,MPEF;100nF,5%,63V,TP,7.5x4.0x5.0m	
2	R411	2001-001114	R-CARBON(S);270OHM,5%,1/2W,AA,TP,2.4X6.4		2	C218	2305-000665	C-FILM,MPEF;100nF,5%,63V,TP,7.5x4.0x5.0m	
2	R405	2001-001116	R-CARBON(S);270HM,5%,1/2W,AA,TP,2.4X6.4M		2	C204	2305-000665	C-FILM,MPEF;100nF,5%,63V,TP,7.5x4.0x5.0m	
2	R809	2001-001150	R-CARBON(S);470KOHM,5%,1/2W,AA,TP,2.4X6.4		2	C205	2305-000665	C-FILM,MPEF;100nF,5%,63V,TP,7.5x4.0x5.0m	
2	R810	2001-001150	R-CARBON(S);470KOHM,5%,1/2W,AA,TP,2.4X6.4		2	C231	2305-000665	C-FILM,MPEF;100nF,5%,63V,TP,7.5x4.0x5.0m	
2	R501H	2002-001008	R-COMPOSITION;1.8Kohm,10%,1/2W,AA,TP,3.7		2	C618	2305-000665	C-FILM,MPEF;100nF,5%,63V,TP,7.5x4.0x5.0m	
2	R502H	2002-001008	R-COMPOSITION;1.8Kohm,10%,1/2W,AA,TP,3.7		2	C225	2309-000138	C-FILM,PE-PPF;100nF,5%,50V,TP,20x16x8.5,	
2	R503	2002-001008	R-COMPOSITION;1.8Kohm,10%,1/2W,AA,TP,3.7		2	C812	2401-000262	C-AL;100uF,20%,160V,HR,TP,16x25,7.5	
△	RX801S	2002-001011	R-COMPOSITION;3.3Mohm,5%,1/2W,AA,TP,3.7x		2	C817	2401-000302	C-AL;100uF,20%,25V,GP,TP,8x11,5	
△	RY801S	2002-001012	R-COMPOSITION;8.2Mohm,5%,1/2W,AA,TP,3.7x		2	C823	2401-000302	C-AL;100uF,20%,25V,GP,TP,8x11,5	
2	R827	2003-000652	R-METAL OXIDE(S);330ohm,5%,2W,AF,TP,4x12		2	C915	2401-000302	C-AL;100uF,20%,25V,GP,TP,8x11,5	
2	R315	2003-000652	R-METAL OXIDE(S);330ohm,5%,2W,AF,TP,4x12		2	C307	2401-000360	C-AL;100uF,20%,50V,GP,TP,8x11,5,5	
2	R316	2003-000652	R-METAL OXIDE(S);330ohm,5%,2W,AF,TP,4x12		2	C308	2401-000360	C-AL;100uF,20%,50V,GP,TP,8x11,5,5	
2	R403	2003-000784	R-METAL OXIDE(S);7.5Kohm,5%,2W,AF,TP,4x1		2	C506	2401-000430	C-AL;10uF,20%,250V,GP,TP,10x16mm,5m	
2	R834	2003-001040	R-METAL OXIDE(S);47Kohm,5%,2W,AF,TP,3.9x		2	C820	2401-000480	C-AL;10uF,20%,50V,GP,TP,5x11,5	
2	R801	2003-002171	R-METAL OXIDE(S);150ohm,5%,2W,AG,TP,3.9x		2	C612	2401-000480	C-AL;10uF,20%,50V,GP,TP,5x11,5	
2	R402	2003-002178	R-METAL OXIDE(S);1Kohm,5%,2W,AG,TP,3.9x1		2	C604	2401-000480	C-AL;10uF,20%,50V,GP,TP,5x11,5	
2	R407	2003-002209	R-METAL OXIDE(S);47Kohm,5%,2W,AG,TP,3.9X		2	C219	2401-000603	C-AL;1uF,20%,50V,GP,TP,5x11,5	
2	R219	2004-001914	R-METAL;39Kohm,2%,1/8W,AA,TP,1.8x3.5mm		2	C212	2401-000660	C-AL;2.2uF,20%,50V,GP,TP,5x11,5	
2	R817	2004-004089	R-METAL(S);123Kohm,1%,1/2W,AA,TP,2.5x6.5		2	C221	2401-000660	C-AL;2.2uF,20%,50V,GP,TP,5x11,5	
2	R304	2008-000253	R-FUSIBLE(S);0.47ohm,5%,1W,AF,TP,3.9x10m		2	C605	2401-000660	C-AL;2.2uF,20%,50V,GP,TP,5x11,5	
2	R305	2008-000253	R-FUSIBLE(S);0.47ohm,5%,1W,AF,TP,3.9x10m		2	C222	2401-000758	C-AL;220nF,20%,50V,GP,TP,5x11,5	
2	R825	2008-000266	R-FUSIBLE(S);1ohm,5%,2W,AF,TP,3.9x10mm		2	C827	2401-000927	C-AL;22uF,20%,250V,GP,TP,13x20,5	
2	R824	2008-000294	R-FUSIBLE(S);33ohm,5%,2W,AF,TP,3.9x10mm		2	C110	2401-000962	C-AL;22uF,20%,50V,GP,TP,5x11,5	
2	R420	2008-001110	R-FUSIBLE(S);68ohm,5%,2W,AG,TP,3.9X12mm		2	C101	2401-001101	C-AL;330uF,20%,16V,GP,TP,8x11,5,5	
2	R814	2008-001112	R-FUSIBLE(S);2.4ohm,5%,2W,AG,TP,3.9x12mm		2	C802	2401-001192	C-AL;33uF,20%,50V,GP,TP,6.3x11,5	
2	R815	2008-001112	R-FUSIBLE(S);2.4ohm,5%,2W,AG,TP,3.9x12mm		2	C504	2401-001232	C-AL;4.7uF,20%,250V,GP,TP,10x12,5,5	
2	C904	2201-000180	C-CERAMIC,DISC;10nF,10%,50V,Y5V,TP,7x3,5		2	C209	2401-001840	C-AL;100uF,20%,16V,GP,TP,6.3x11,5	
2	C501	2201-000192	C-CERAMIC,DISC;0.01nF,0.25pF,500V,NP0,TP		2	C213	2401-001840	C-AL;100uF,20%,16V,GP,TP,6.3x11,5	
2	C302	2201-000259	C-CERAMIC,DISC;0.18nF,10%,500V,Y5P,TP,5		2	C229	2401-001840	C-AL;100uF,20%,16V,GP,TP,6.3x11,5	
2	C303	2201-000556	C-CERAMIC,DISC;0.47nF,10%,500V,Y5P,TP,5		2	C903	2401-001840	C-AL;100uF,20%,16V,GP,TP,6.3x11,5	
2	C305	2201-000556	C-CERAMIC,DISC;0.47nF,10%,500V,Y5P,TP,5		2	C910	2401-001840	C-AL;100uF,20%,16V,GP,TP,6.3x11,5	
2	C908	2201-000573	C-CERAMIC,DISC;0.047nF,5%,50V,NP0,TP,5x3		2	C705	2401-001989	C-AL;4.7uF,20%,50V,BPT,5x11,5	
2	C909	2201-000573	C-CERAMIC,DISC;0.047nF,5%,50V,NP0,TP,5x3		2	C706	2401-001989	C-AL;4.7uF,20%,50V,BPT,5x11,5	
2	C408	2201-000599	C-CERAMIC,DISC;0.56nF,10%,500V,Y5P,TP,5		2	C710	2401-001989	C-AL;4.7uF,20%,50V,BPT,5x11,5	
△	CR404S	2201-000639	C-CERAMIC,DISC;0.68nF,10%,2kV,Y5P,TP,9x5		2	C711	2401-001989	C-AL;4.7uF,20%,50V,BPT,5x11,5	
2	C811	2201-000991	C-CERAMIC,DISC;0.56nF,10%,2kV,Y5P,TP,7.5		2	C601	2401-001998	C-AL;1000uF,20%,25V,GP,TP,10x20,5mm	
2	C814	2201-000991	C-CERAMIC,DISC;0.56nF,10%,2kV,Y5P,TP,7.5		2	C206	2401-002235	C-AL;10uF,20%,16V,GP,TP,5x11mm,5mm	
△	CR409S	2201-000991	C-CERAMIC,DISC;0.56nF,10%,2kV,Y5P,TP,7.5		2	C220	2401-002235	C-AL;10uF,20%,16V,GP,TP,5x11mm,5mm	
2	C503	2201-000723	C-CERAMIC,DISC;4.7nF,20%,3KV,Y5U,TP,16x5		2	C709	2401-002235	C-AL;10uF,20%,16V,GP,TP,5x11mm,5mm	
2	C703	2202-000121	C-CERAMIC,MLC-AXIAL;100pF,10%,50V,Y5P,TP		2	C306	2401-002288	C-AL;470uF,20%,25V,WT,TP,10x20,5	
2	C704	2202-000121	C-CERAMIC,MLC-AXIAL;100pF,10%,50V,Y5P,TP		2	C304	2401-002288	C-AL;470uF,20%,25V,WT,TP,10x20,5	
2	C106	2202-000127	C-CERAMIC,MLC-AXIAL;10nF,+80-20%,25V,Y5V		2	C813	2401-002290	C-AL;47uF,20%,160V,GP,TP,13x20,5	
2	C111	2202-000127	C-CERAMIC,MLC-AXIAL;10nF,+80-20%,25V,Y5V		2	C406	2401-002619	C-AL;47uF,20%,25V,GP,TP,5x11,5	
2	C223	2202-000796	C-CERAMIC,MLC-AXIAL;1nF,10%,50V,Y5P,TP,3		2	C214	2401-003102	C-AL;100uF,20%,10V,GP,TP,5x11,5	
2	C224	2202-000796	C-CERAMIC,MLC-AXIAL;1nF,10%,50V,Y5P,TP,3		2	L103	2701-000114	INDUCTOR-AXIAL;10uH,10%,2.5x3.4mm	
2	C906	2202-000796	C-CERAMIC,MLC-AXIAL;1nF,10%,50V,Y5P,TP,3		2	L202	2701-000114	INDUCTOR-AXIAL;10uH,10%,2.5x3.4mm	
2	C505	2202-000825	C-CERAMIC,MLC-AXIAL;680pF,10%,50V,Y5P,TP		2	L301	2701-000142	INDUCTOR-AXIAL;1uH,10%,2.5x3.4mm	
2	C226	2202-000829	C-CERAMIC,MLC-AXIAL;0.82nF,10%,50V,Y5P,TP		2	L302	2701-000142	INDUCTOR-AXIAL;1uH,10%,2.5x3.4mm	
2	C707	2301-000204	C-FILM,PEF;2.7nF,5%,50V,TP,7.4x3.9x13mm,		2	L404	2701-000142	INDUCTOR-AXIAL;1uH,10%,2.5x3.4mm	
2	C502	2301-000213	C-FILM,PEF;220nF,5%,250V,TP,21.5x11,7,5		2	L903	2701-000158	INDUCTOR-AXIAL;22uH,10%,2.5x3.4mm	
2	C109	2301-000224	C-FILM,PEF;22nF,5%,50V,TP,7.4x3.9x13mm,5		2	L102	2701-000159	INDUCTOR-AXIAL;22uH,10%,4.2x9.8mm	
2	C804	2301-000224	C-FILM,PEF;22nF,5%,50V,TP,7.4x3.9x13mm,5		2	L201	2701-000159	INDUCTOR-AXIAL;22uH,10%,4.2x9.8mm	
2	C805	2301-000234	C-FILM,PEF;3.9nF,5%,50V,TP,6.5x3.0x5.5mm		2	L205	2701-000159	INDUCTOR-AXIAL;22uH,10%,4.2x9.8mm	
2	C309	2301-000254	C-FILM,PEF;39nF,5%,50V,TP,7.5x3.5x6.5mm,		2	L405	2701-000159	INDUCTOR-AXIAL;22uH,10%,4.2x9.8mm	
2	C806	2301-000111	C-FILM,PEF;1.8nF,5%,50V,TP,6.5x3.0x5.5mm		2	L902	2701-000180	INDUCTOR-AXIAL;33uH,5%,2.5x3.4mm	
2	C217	2301-000342	C-FILM,PEF;2.2nF,5%,50V,TP,7.4x3.9x13mm,		2	L904	2701-000180	INDUCTOR-AXIAL;33uH,5%,2.5x3.4mm	
2	C234	2301-000342	C-FILM,PEF;2.2nF,5%,50V,TP,7.4x3.9x13mm,		2	L702	2701-000184	INDUCTOR-AXIAL;4.7uH,10%,2.5x3.4mm	
2	C407	2301-000383	C-FILM,PEF;10nF,5%,50V,TP,6x7x3.2mm,5mm		2	L703	2701-000184	INDUCTOR-AXIAL;4.7uH,10%,2.5x3.4mm	
2	C227	2301-000445	C-FILM,PEF;4.7nF,5%,50V,TP,5.5x7x3mm,5mm		2	L704	2701-000184	INDUCTOR-AXIAL;4.7uH,10%,2.5x3.4mm	
2	C248	2301-000445	C-FILM,PEF;4.7nF,5%,50V,TP,5.5x7x3mm,5mm		2	L204	2701-000184	INDUCTOR-AXIAL;4.7uH,10%,2.5x3.4mm	
2	C420	2301-001065	C-FILM,MPPF;47nF,5%,630V,TP,19x15.5x7,7		2	X901	2801-003937	CRYSTAL-UNIT;12MHz,25ppm,28-AAM,30pF,300	
2	C301	2305-000285	C-FILM,MPEF;220nF,5%,100V,TP,10.5X5.5X15		2	L403	2901-000297	FILTER-EMI ON BOARD;-3A,-,-,3.5x5,TP,-	
2	C215	2305-000289	C-FILM,MPEF;220nF,5%,63V,TP,-5mm		2	L806	2901-000297	FILTER-EMI ON BOARD;-3A,-,-,3.5x5,TP,-	
2	C216	2305-000289	C-FILM,MPEF;220nF,5%,63V,TP,-5mm		2	L808	2901-000297	FILTER-EMI ON BOARD;-3A,-,-,3.5x5,TP,-	
2	C233	2305-000289	C-FILM,MPEF;220nF,5%,63V,TP,-5mm		2	Z202	2903-001040	FILTER-CERAMIC,TR,5.5/6.0/6.5MHz,-,1dB,-	
2	C611	2305-000289	C-FILM,MPEF;220nF,5%,63V,TP,-5mm		2	L802	3301-000287	CORE-FERRITE BEAD;AA,3.5x1.0x6.0mm,1500,	



Level	Loc. No.	Code No.	Description ; Specification	Remark	Level	Loc. No.	Code No.	Description ; Specification	Remark	
2	EY813	AA60-40011A	K EYELET;ID2.0,OD2.8,BST		2	R811	2003-002239	R-METAL OXIDE(S);100KOHM,5%,2W,AF,TP;3.9		
2	EY818	AA60-40011A	K EYELET;ID2.0,OD2.8,BST		2	R812	2003-002239	R-METAL OXIDE(S);100KOHM,5%,2W,AF,TP;3.9		
2	EY819	AA60-40011A	K EYELET;ID2.0,OD2.8,BST		2	R302	2004-004969	R-METAL(S);1.1Kohm,1%,1/2W,AA,TP2.4x6.4		
2	EY821	AA60-40011A	K EYELET;ID2.0,OD2.8,BST		2	R421	2008-001013	R-FUSIBLE(S);1.2ohm,5%,2W,AF,TP;3.9x10mm		
2	EY822	AA60-40011A	K EYELET;ID2.0,OD2.8,BST		2	R505	2008-001011	R-FUSIBLE(S);0.18ohm,10%,2W,AF,TP;3.9x10		
2	EY823	AA60-40011A	K EYELET;ID2.0,OD2.8,BST		2	R840	2001-001122	R-CARBON(S);3.9KOHM,5%,1/2W,AA,TP2.4X6.4		
2	EY824	AA60-40011A	K EYELET;ID2.0,OD2.8,BST		2	C818	2401-003028	C-AL;100uF,20%,25V,WT,TP;6.3x11.5		
2	EY825	AA60-40011A	K EYELET;ID2.0,OD2.8,BST		2	C821	2401-003028	C-AL;100uF,20%,25V,WT,TP;6.3x11.5		
2	EY827	AA60-40011A	K EYELET;ID2.0,OD2.8,BST		2	R728	2001-000273	R-CARBON;100KOHM,5%,1/8W,AA,TP;1.8X3.2M		
2	EY828	AA60-40011A	K EYELET;ID2.0,OD2.8,BST		2	R923	2001-000273	R-CARBON;100KOHM,5%,1/8W,AA,TP;1.8X3.2M		
2	EY829	AA60-40011A	K EYELET;ID2.0,OD2.8,BST		2	C603	2301-000247	C-FILM,PEF;33nF5%,50V,TP;8.1x4.5x13mm,5		
2	EY830	AA60-40011A	K EYELET;ID2.0,OD2.8,BST		2		0203-001123	TAPE-PAPER,#53131,TO.15,W6.0,L200000,YEL		
2	EY833	AA60-40011A	K EYELET;ID2.0,OD2.8,BST		2	C102	2202-000279	C-CERAMIC,MLC-AXIAL;47pF5%,50V,SL,TP;3.		
2	EY850	AA60-40011A	K EYELET;ID2.0,OD2.8,BST		2	DZ401	0403-001319	DIODE-ZENER;MTZJ4.7C,4.68-4.93V,500mW,DO		
2	EY851	AA60-40011A	K EYELET;ID2.0,OD2.8,BST		2	DZ906	0403-001319	DIODE-ZENER;MTZJ4.7C,4.68-4.93V,500mW,DO		
2	EY852	AA60-40011A	K EYELET;ID2.0,OD2.8,BST		2	DZ907	0403-001319	DIODE-ZENER;MTZJ4.7C,4.68-4.93V,500mW,DO		
2	EY853	AA60-40011A	K EYELET;ID2.0,OD2.8,BST		2	DZ908	0403-001319	DIODE-ZENER;MTZJ4.7C,4.68-4.93V,500mW,DO		
2	EY860	AA60-40011A	K EYELET;ID2.0,OD2.8,BST		2	R306	2004-001390	R-METAL(S);1Kohm,2%,1/2W,AA,TP2.4x6.4mm		
2	EY861	AA60-40011A	K EYELET;ID2.0,OD2.8,BST		△	2	NT802S	1404-001045	THERMISTOR-NTC;4.7ohm,15%,2900K,35.0mW,T	
2	EL301	AA60-40011B	K EYELET;ID2.2,OD3.2,BSP		△	2	P803S	1404-001156	THERMISTOR-PTC;90HM,+30%/-20%,220V RMS,27	
2	EL302	AA60-40011B	K EYELET;ID2.2,OD3.2,BSP		△	2	CX801S	2306-000318	C-FILM,MPPF;220nF,20%,250V,TP,-22.5mm	
2	EL403	AA60-40011B	K EYELET;ID2.2,OD3.2,BSP		△	2	SF101S	2904-001063	FILTER-SAW AV;38.9MHz,SIP;K,TP;18.5dB,B/	
2	EL404	AA60-40011B	K EYELET;ID2.2,OD3.2,BSP		△	2	T401	AA26-50001B	TRANS-HORIZ DRIVE,-,-,7.1mH,-,102uH,	
2	EL407	AA60-40011B	K EYELET;ID2.2,OD3.2,BSP		△	2	LX801S	AA29-30001D	FILTER LINE NOISE;SQ1913,-,6.0MH,0.8A,-	
2	EL408	AA60-40011B	K EYELET;ID2.2,OD3.2,BSP		△	2	TU01S	AA40-00076A	TUNER;TECC0949PG35A(S),PAL,181CH,38.	
2	EL501	AA60-40011B	K EYELET;ID2.2,OD3.2,BSP		2	LD901	AA96-00555A	ASSY LED GUIDE,-,,-,UEDX-LD-030,GREEN		
2	EL502	AA60-40011B	K EYELET;ID2.2,OD3.2,BSP		2	IC501	AA96-00842A	ASSY H/S,VIDEO,AA62-30175D,TDA6107Q		
2	EL601	AA60-40011B	K EYELET;ID2.2,OD3.2,BSP		3	IC501	1201-001541	IC-VIDEO AMP;6107,ZSIP;P,-,SINGLE,-,PLA		
2	EL602	AA60-40011B	K EYELET;ID2.2,OD3.2,BSP		3	SCR501	6003-000334	SCREW-TAPTITE,RH,+2S,M3,L6,ZPC(YEL),SWR		
2	EL603	AA60-40011B	K EYELET;ID2.2,OD3.2,BSP		3	H/S501	AA62-30175D	HEAT SINK-PS,-,SECC,T1.0,-,33X15X30 FT-2		
2	EL604	AA60-40011B	K EYELET;ID2.2,OD3.2,BSP		△	2	V999S	3704-001105	SOCKET-CRT;11P20PI,26.5PI,NL-	
2	EL801	AA60-40011B	K EYELET;ID2.2,OD3.2,BSP		2	RM901	AA32-00015A	MODULE REMOCON;FRP-3521H31,38KHZ,940MM,M,8		
2	EL802	AA60-40011B	K EYELET;ID2.2,OD3.2,BSP		△	2	IC801S	AA96-00845A	ASSY H/S,POWER,AA62-30186B,KA500765R	
2	EL804	AA60-40011B	K EYELET;ID2.2,OD3.2,BSP		△	3	IC801	1203-001932	IC-PWM CONTROLLER;5Q0765,TO-220F;5P;185M	
2	GT101	AA60-40014A	PIN-GT,ASSY,AUTO		3	SCR801	6003-000333	SCREW-TAPTITE,RH,+2S,M3,L10,ZPC(YEL),SW		
2	GT1502	AA60-40014A	PIN-GT,ASSY,AUTO		3	H/S801	AA62-30186B	HEAT SINK-ES,-,,-,SILVER,171J+-COVER-H		
2	GT802	AA60-40014A	PIN-GT,ASSY,AUTO		3		HA68-02189A	LABEL-WARNING;33MM,18MM,WHITE		
2	GT803	AA60-40014A	PIN-GT,ASSY,AUTO		3		0205-000129	GREASE-SILICON;SC102,JAPAN		
2	GT804	AA60-40014A	PIN-GT,ASSY,AUTO		△	2	IC802	AA96-00846A	ASSY H/S,POWER,AA62-00055A,KA7632	
2	GT805	AA60-40014A	PIN-GT,ASSY,AUTO		△	3	IC802	1203-001939	IC-POSI.FIXED REG.;7632,SIP;10P,-,PLASTI	
2	GT806	AA60-40014A	PIN-GT,ASSY,AUTO		3	H/S802	AA62-00055A	HEAT SINK-PS,-,,-,T1.0,-,35*15*25,D1,-,-		
2	GT501	AA60-40014A	PIN-GT,ASSY,AUTO		3	SCR802	6003-000334	SCREW-TAPTITE,RH,+2S,M3,L6,ZPC(YEL),SWR		
2	GT807	AA60-40014A	PIN-GT,ASSY,AUTO		△	2	T801S	AA26-00134A	TRANS SWITCHING;CS21S5T,160V-260V,PM2 P	
2	R424	2004-001402	R-METAL(S);6.8Kohm,1%,1/2W,AA,TP2.4x6.4		2	IC902	1103-001106	IC-EEPROM;C81DC,1028x8Bit,DIP;P;300MIL,		
2	R423	2004-001373	R-METAL(S);100Kohm,1%,1/2W,AA,TP2.4x6.4		△	2	SW801S	3403-001107	SWITCH-PUSH;250V,5A,DPST,-,KDC-A04	
△	FD801S	3601-001163	FUSE-AXIAL LEAD;125V,7A,-,EPOXY,2.4X7.1M		2	JS701	3722-000183	JACK-SCART;21P;4mm,SN,BLK,N0		
△	D807	0402-000493	DIODE-RECTIFIER;1R5GU41,400V,1.5A,DO-15L		2	TOP	AA39-20010D	LEAD CONNECTOR-ASSY;1PYFH800-01,S,400		
2	D303	0402-000132	DIODE-RECTIFIER;1N4004,400V,1A,DO-41,TP		2	CN501	AA39-20620C	LEAD CONNECTOR-ASSY;9PYBNH250-09,S,500		
△	D809	0402-000132	DIODE-RECTIFIER;1N4004,400V,1A,DO-41,TP		2	IC301	AA96-00847A	ASSY H/S,AA62-00046A,LA7840		
2	C115	2202-000632	C-CERAMIC,MLC-AXIAL;100nF,20%,50V,ZSU,TP		3		1204-001483	IC-VERTICAL PROCESSO;LA7840,SIP;7P;708MI		
2	C211	2202-000632	C-CERAMIC,MLC-AXIAL;100nF,20%,50V,ZSU,TP		3		AA62-00064A	HEAT SINK-PS,DP,-,,-,AA62-00046A,-,-,-		
2	C911	2202-000632	C-CERAMIC,MLC-AXIAL;100nF,20%,50V,ZSU,TP		3		6003-000334	SCREW-TAPTITE,RH,+2S,M3,L6,ZPC(YEL),SWR		
2	C822	2401-000711	C-AL;220uF,20%,25V,GP,TP;16x25,7.5		3		0205-000129	GREASE-SILICON;SC102,JAPAN		
2	C806	2301-001435	C-FILM,PPF;1.5nF5%,1.2kV,TP;15x8x12.5mm		2	C801	2401-002221	C-AL;220uF,20%,450V,GP;ST;25x40,10		
2	C207	2305-000412	C-FILM,MPEF;470nF5%,63V,TP,-,5mm		△	2	T444S	AA26-00116A	TRANS FBTF;FSV-14A004H(S),CT15A8,3.24MH,1	
2	C901	2305-000412	C-FILM,MPEF;470nF5%,63V,TP,-,5mm		2	SUB	AA98-00079A	ASSY SUB PART;K51A,MAIN(OPT),PAL,-		
2	HIC01	AA13-20004W	IC HYBRID,-,PAP103T,SIP;P;PRE-AMP;TP		3		0202-000008	SOLDER-WIRE;S63S-W3.0,S63S,D3,63Sn/37Pb,		
2	RW701	2011-001133	R-NETWORK;33K/24K/75x3,5%,1/8W,X,SIP;P;		3		0202-000187	SOLDER-WIRE FLUX;-RS60S,D1,2.63Sn/37Pb		
2	R303	2008-001133	R-FUSIBLE(S);0.75ohm,5%,2W,AF,TP;3.9x10m		3		0204-000442	SOLVENT;1M-1000,C3H7OH,96,-		
2	PCB	AA41-00131G	PCB-MAIN;CS2139,FR-1.1LG,1.6T,245X245,K		3		0204-001024	FLUX;DF-98TVS,-,20%,-		
2	C702	2202-000210	C-CERAMIC,MLC-AXIAL;270pF,10%,50V,Y5P,TP		△	2	CR410S	2303-001015	C-FILM,PPF;5.5nF5%,1.6kV,TP;29x9.5x17.2	
2	R413	2003-001035	R-METAL OXIDE(S);27ohm,5%,2W,AF,TP;3.9x1		2	IC602	AA96-00848A	ASSY H/S,SOUND,AA62-30175D,TDA8943		
△	FP801S	3601-000281	FUSE-CARTRIDGE;250V,4A,TIME-LAG,GLASS,5.		3	SCR602	6003-000334	SCREW-TAPTITE,RH,+2S,M3,L6,ZPC(YEL),SWR		
2	L101	2701-000171	INDUCTOR-AXIAL;330nH,10%,2.5x3.4mm		3	H/S602	AA62-30175D	HEAT SINK-PS,-,SECC,T1.0,-,33X15X30 FT-2		
2	Z203	2903-000181	FILTER-CERAMIC,BR,5.5MHz,-,-,TP,TPS5.5		3	IC602	1201-001740	IC-AUDIO AMP;TA8943,SIL,9P;850MIL,SINGL		
2	J101	2001-000613	R-CARBON;3.9KOHM,5%,1/8W,AA,TP,1.8X3.2M		2	CN601	3711-002642	CONNECTOR-HEADER;BOX,3P,1R,2.5mm,STRAIGH		
2	L807	2701-001030	INDUCTOR-AXIAL;43uH,10%,5x14mm		2	LW01	AA27-40001M	COIL HORIZ WIDTH;-,180/480uH,SB-S58202.		
2	L804	2701-001030	INDUCTOR-AXIAL;43uH,10%,5x14mm		△	2	CY801S	2201-000446	C-CERAMIC,DISC;3.3nF,20%,400V,Y5U,TP;15x	
2	C403	2401-000560	C-AL;1uF,20%,160V,GP,TP;6.3x11,5		△	2	CR402S	2306-000350	C-FILM,MPPF;270nF5%,400V,TP;26x18.5x10M	
2	C615	2202-000253	C-CERAMIC,MLC-AXIAL;4.7nF,20%,16V,Y5R,TP		△	2	LR401S	AA27-30001B	COIL LINEARITY;-,195uH,QIC1010,P10.4,4.5	
△	D804	0401-000006	DIODE-SWITCHING;BAV21,250V,250mA,DO-35,T		△	2	IC201S	AA09-00297A	IC MICOM;TDA9381/N2/3,SPM-802EEN2,64P,	
△	D805	0402-001470	DIODE-RECTIFIER;RU2BV1,800V,1A,DO-204AC,		2	Q401	0502-001160	TR-POWER;2SD2499,NPN,50000mW,TO-3PBK,8		
2	R808	2001-001138	R-CARBON(S);390OHM,5%,1/2W,AA,TP2.4X6.4		2	CN401	AA60-40012D	PIN-GT,ASSY;T1.6,6-12.5,-,NYLON66		
2	R831	2001-001088	R-CARBON(S);1KOHM,5%,1/2W,AA,TP2.4X6.4M		2	CN703	3711-002646	CONNECTOR-HEADER;BOX,7P,1R,2.5mm,STRAIGH		
2	L104	2701-000168	INDUCTOR-AXIAL;3.3uH,5%,2.5x3.4mm							
2	C203	2401-002462	C-AL;33uF,20%,16V,GP,TP;5x11,5							

Level	Loc. No.	Code No.	Description ; Specification	Remark
<b>ASSY CRT</b>				
	1	AA94-05859A	ASSY CRT;A51EER31X,+400MG,21	
△	2	AA03-00279A	CRT COLOR;A51EER33X,+380MG,2.07MH,21.0MH	
2		AA27-20003Z	COIL DEGAUSSING;-,21,13.5ohm,25T,L2380,E	
2		AA63-10002A	BAND-TIE;NYLON66 V2,L100,NTR	
2		AA98-70030A	ASSY TBC WIRE(P);DP21,AA98-70014C,1PTV	
2		AA65-30107A	CLAMPER CORE-D,COIL:20-22 INCH,NYLON 66,	

**ASSY PCB MISC-A/V SIDE**

1		AA94-12271B	ASSY PCB MISC-A/V SIDE;21F3,PAL	
2	AV+CF	6003-001023	SCREW-TAPTITE;RWH,+B,M3,L10,ZPC(YEL),SW	
2		AA63-10002A	BAND-TIE;NYLON66 V2,L100,NTR	
2		AA61-01234A	HOLDER-AV;21F3,HIPS HB,G4309,SV012P	
2		AA64-03080B	INLAY-AV;21F3,PS SHEET,TO.3,BLK,KS1A,SIL	
2		AA63-00632A	COVER-AV;21F3,HIPS,HB,BLK	
2		6003-00033A	SCREW-TAPTITE;RH,+2S,M3,L6,ZPC(YEL),SWR	
1		AA95-03124A	ASSY ETC-A/V SIDE;20F3-21F3,KS1A	
2		0202-000008	SOLDER-WIRE;S63S-W3.0,S63S,D3,63Sn/37Pb,	
2		0202-000187	SOLDER-WIRE FLUX;-,RS60S,D1.2,63Sn/37Pb	
2		0204-000442	SOLVENT;1M-1000,C3H7OH,96,-	
2		0204-001024	FLUX;DF-98TVS,-,20%,-	
2	JA701	3722-001041	JACK-RCA;1P;3.4MM,#16-22,AU	
2	JA702	3722-001042	JACK-RCA;1P;3.4MM,#16-22,AU	
2	CN702	AA39-20070A	LEAD CONNECTOR-ASSY;7P,YBNH025-07,67096	
2	CE04	2202-000121	C-CERAMIC,MLC-AXIAL;100pF,10%,50V,Y5P,TP	
2	LE04	2701-000114	INDUCTOR-AXIAL;10uH,10%,2.5x3.4mm	
2	PCB	AA41-00751A	PCB-A/V SIDE;CS21F3,FR-1,1LA,1.6T,245X2	

**ASSY-CABINET(COM)**

1		AA90-01077B	ASSY-CABINET(COM);VL-1823,21F1	
2	CB+CF	6002-000515	SCREW-TAPPING;RH,+2,M4,L15,ZPC(WHT),SWR	
2	CRT+CF	AA60-10050Q	SCREW-ASSY;-,SWRCH18A,M5,L26.5,HH,+WC,-	
2		AA65-30008A	CLAMPER CORE-CORD;-,PE,HB,-,BLK,-	
2		HA64-02406B	CABINET BACK;21F1,VL-1823,GRY	
3		AA81-00096A	RESIN-A;VL-1823,G5433,A	
3		HA83-00011A	LP-RESIN;M BATCH,WILSON 6007-GY-60,GRY	
2		AA65-30018A	CLAMPER CORE-WIRE;DONG-A,NYLON-66,-,-,-	
2		AA65-30009A	CLAMPER CORE-FBT;-,ABS,VO,-,BLK,-	
2		HA68-02179A	LABEL-RATING;58MM,53MM,WHITE	
2	qms	HA83-00052A	LP-TAPE-INK;WIDTH 55 MM	
2	rating	HA83-00052A	LP-TAPE-INK;WIDTH 55 MM	
2		HA60-00140A	SPACER-GUM;SPACE	
2		HA68-02177B	LABEL-POS;ALL,30MM,65MM,WHITE,AA68-02177	

**ASSY CABINET FRONT**

1		HA91-00898A	ASSY CABINET FRONT;21F1,SV-011P-II	
2		AA61-60003T	SPRING ETC-CS;-,SUS304,-,OD7,N5,OD7,-	
2		HA64-25011A	KNOB-POWER;20F1,21F1,HIPS,SV-012P-II,SI	
3		HA83-00040A	LP-MARKING PAINT;METALLIC SILVER,SV-012	
3		HA83-00006A	LP-RESIN HIPS;BASF495F,NTR,HB	
3		HA83-00011A	LP-RESIN;M BATCH,WILSON 6007-GY-60,GRY	
2		AA64-02461A	KNOB CONTROL;5079-5379,HIPS,HB,BLK	
3		HA83-00006A	LP-RESIN HIPS;BASF495F,NTR,HB	
3		HA83-00007A	LP-RESIN;M BATCH,WILSON 902-BK-60,BLK	
2		AA64-40450B	WINDOW-REMOCON;-,501F,-,PC,VO,VIOLET,-	
2		AA64-40451B	INDICATOR-LED;33.501F,ACRYL,-,CLR,-,-	
2		AA64-70127F	BADGE-BRAND;NEW,AL,-,L40,R800,SILVER,S	
2		AA65-30105A	CLAMPER CORE-WIRE;ALL MODEL,NYLON 66,V2,	
2	SPK+CF	6002-000515	SCREW-TAPPING;RH,+2,M4,L15,ZPC(WHT),SWR	
2	KC+CF	6002-000515	SCREW-TAPPING;RH,+2,M4,L15,ZPC(WHT),SWR	
2		HA83-00049A	LP-ADHESIVE-HM;12MM,NTR	
2		AA64-02394A	CABINET-FRONT;21F1,HIPS,HB,SV-012P-II,GR	
3		AA81-00106A	A/S-MARKING PAINT;P432U,DARK GREY,TPC	

Level	Loc. No.	Code No.	Description ; Specification	Remark
	3	HA83-00040A	LP-MARKING PAINT;METALLIC SILVER,SV-012	
	3	HA83-00006A	LP-RESIN HIPS;BASF495F,NTR,HB	
	3	HA83-00011A	LP-RESIN;M BATCH,WILSON 6007-GY-60,GRY	
	2	AA96-00853A	ASSY SPEAKER;160HM,3W,3001-001039,700	
	3	3001-001039	SPEAKER;3W,160HM,90DB,180HZ	
	3	AA39-20500C	LEAD CONNECTOR-ASSY;3(2),67096-003,REC,	

**REMOCON**

1		AA59-00104J	REMOCON;-,TM59,SIM806E,25,L/GRAY,EX,GR	
---	--	-------------	--	--

**ASSY POWER CORD**

△	1	P/CORD	AA96-01126A	ASSY POWER CORD;DPA39-10001G,CP2,H/C25
2			AA39-10001G	CBF POWER CORD;-,KKP-419C,KLCE-2F,2.286m
2			AA61-20284A	HOLDER;P-CORD,PP,-,-,BLK,VO,KE-002

**ASSY ACCESSORY**

1		AA94-05817A	ASSY ACCESSORY;20-21,KS1A,XEH	
2		HA68-00320A	LABEL CAUTION;-,S15A,CEFTA,-,-,-	
2		HA68-00336B	CARD-WARRANTY;A/P100(G),A5,NEW VERSION,I	
2		4301-000120	BATTERY-MN;1.5V,-,AA,14.5x50mm,-	
2		HA83-00047A	LP-TAPEACETATE;TO.1MM,W20MM,L200MM	
2		HA69-00276A	BAG VINYL;HDPE,TO.025,L400,W240,-,W/O LO	

**ASSY PACKING**

1		HA90-21011A	ASSY PACKING;ASSY-PACKING;21F1	
2		AA60-40006A	PIN-STAPLE;AUTO,33X17.8X2.4,H18,33X17.8X	
2		HA69-01489A	CUSHION-SET;531FPS,C=0.02	
3		HA83-00058A	LP-RESIN-EPS;CHEIL SF-301V,WHT	
2		HA69-01519A	PACKING CASE;531,YEL,CB35	
2		HA68-02178A	LABEL-BOX;250MM,89MM,WHITE	
2		AA69-00744C	BAG-SHEET;-,HDPE PE FOAM,TO.015,W1050,H9	
2		HA83-00046A	LP-TAPE INK;WIDTH 105 MM	

### 7-13 CZ21H12TSXXEH

Level	Loc. No.	Code No.	Description ; Specification	Remark	Level	Loc. No.	Code No.	Description ; Specification	Remark
<b>ASSY PCB MAIN(OPT)</b>									
1		AA94-05664A	ASSY PCB MAIN(OPT);CZ21H1T,KS1A		2	R205	2001-000011	R-CARBON;75KOHM,5%,1/8W,AA,TP,1.8X3.2MM	
2		HA68-02176A	LABEL;LABEL		2	R301	2001-000016	R-CARBON(S);10HM,5%,1/2W,AA,TP,2.4X6.4MM	
2	D201	0401-000005	DIODE-SWITCHING;1N4148,100V,200mA,DO-35,		2	J125	2001-000016	R-CARBON(S);10HM,5%,1/2W,AA,TP,2.4X6.4MM	
△	D811	0401-000005	DIODE-SWITCHING;1N4148,100V,200mA,DO-35,		2	R843	2001-000019	R-CARBON(S);100HM,5%,1/2W,AA,TP,2.4X6.4MM	
2	D501	0402-000254	DIODE-RECTIFIER;RGP10J,600V,1A,DO-41,TP		2	R618	2001-000019	R-CARBON(S);100HM,5%,1/2W,AA,TP,2.4X6.4MM	
△	D803	0402-000254	DIODE-RECTIFIER;RGP10J,600V,1A,DO-41,TP		2	R409	2001-000022	R-CARBON(S);330HM,5%,1/2W,AA,TP,2.4X6.4MM	
△	D807	0402-000493	DIODE-RECTIFIER;1R5GU41,400V,1.5A,DO-15L		2	R823	2001-000037	R-CARBON(S);330OHM,5%,1/2W,AA,TP,2.4X6.4	
2	D301	0402-001105	DIODE-RECTIFIER;ERB43-04SV1,400V,1.0A,-,		2	R902	2001-000241	R-CARBON;1.5KOHM,5%,1/8W,AA,TP,1.8X3.2M	
2	D304	0402-001105	DIODE-RECTIFIER;ERB43-04SV1,400V,1.0A,-,		2	R904	2001-000241	R-CARBON;1.5KOHM,5%,1/8W,AA,TP,1.8X3.2M	
△	D401	0402-001105	DIODE-RECTIFIER;ERB43-04SV1,400V,1.0A,-,		2	R211	2001-000281	R-CARBON;100OHM,5%,1/8W,AA,TP,1.8X3.2MM	
2	D502	0402-001105	DIODE-RECTIFIER;ERB43-04SV1,400V,1.0A,-,		2	R215	2001-000281	R-CARBON;100OHM,5%,1/8W,AA,TP,1.8X3.2MM	
2	D503	0402-001105	DIODE-RECTIFIER;ERB43-04SV1,400V,1.0A,-,		2	R223	2001-000281	R-CARBON;100OHM,5%,1/8W,AA,TP,1.8X3.2MM	
△	D504	0402-001105	DIODE-RECTIFIER;ERB43-04SV1,400V,1.0A,-,		2	R501	2001-000281	R-CARBON;100OHM,5%,1/8W,AA,TP,1.8X3.2MM	
2	D812	0402-001105	DIODE-RECTIFIER;ERB43-04SV1,400V,1.0A,-,		2	R502	2001-000281	R-CARBON;100OHM,5%,1/8W,AA,TP,1.8X3.2MM	
△	D801S	0402-001111	DIODE-RECTIFIER;1N5397GP600V,1.5A,DO-20		2	R506	2001-000281	R-CARBON;100OHM,5%,1/8W,AA,TP,1.8X3.2MM	
△	D802S	0402-001111	DIODE-RECTIFIER;1N5397GP600V,1.5A,DO-20		2	R510	2001-000281	R-CARBON;100OHM,5%,1/8W,AA,TP,1.8X3.2MM	
△	D803S	0402-001111	DIODE-RECTIFIER;1N5397GP600V,1.5A,DO-20		2	R511	2001-000281	R-CARBON;100OHM,5%,1/8W,AA,TP,1.8X3.2MM	
△	D804S	0402-001111	DIODE-RECTIFIER;1N5397GP600V,1.5A,DO-20		2	R512	2001-000281	R-CARBON;100OHM,5%,1/8W,AA,TP,1.8X3.2MM	
2	D303	0402-000132	DIODE-RECTIFIER;1N4004,400V,1A,DO-41,TP		2	R909	2001-000281	R-CARBON;100OHM,5%,1/8W,AA,TP,1.8X3.2MM	
△	D809	0402-000132	DIODE-RECTIFIER;1N4004,400V,1A,DO-41,TP		2	R911	2001-000281	R-CARBON;100OHM,5%,1/8W,AA,TP,1.8X3.2MM	
2	D302	0402-001352	DIODE-RECTIFIER;GUF15G-20A,400V,1.5A,DO-		2	R912	2001-000281	R-CARBON;100OHM,5%,1/8W,AA,TP,1.8X3.2MM	
2	DZ402	0403-000508	DIODE-ZENER;MTZJ5.6B,5.6V,5.45-5.73V,500		2	R913	2001-000281	R-CARBON;100OHM,5%,1/8W,AA,TP,1.8X3.2MM	
2	DZ807	0403-000508	DIODE-ZENER;MTZJ5.6B,5.6V,5.45-5.73V,500		2	R914	2001-000281	R-CARBON;100OHM,5%,1/8W,AA,TP,1.8X3.2MM	
2	DZ810	0403-000508	DIODE-ZENER;MTZJ5.6B,5.6V,5.45-5.73V,500		2	J137	2001-000281	R-CARBON;100OHM,5%,1/8W,AA,TP,1.8X3.2MM	
2	DZ903	0403-000508	DIODE-ZENER;MTZJ5.6B,5.6V,5.45-5.73V,500		2	R213	2001-000281	R-CARBON;100OHM,5%,1/8W,AA,TP,1.8X3.2MM	
2	DZ904	0403-000508	DIODE-ZENER;MTZJ5.6B,5.6V,5.45-5.73V,500		2	R718	2001-000281	R-CARBON;100OHM,5%,1/8W,AA,TP,1.8X3.2MM	
2	DZ905	0403-000508	DIODE-ZENER;MTZJ5.6B,5.6V,5.45-5.73V,500		2	R933	2001-000281	R-CARBON;100OHM,5%,1/8W,AA,TP,1.8X3.2MM	
2	DZ901	0403-000508	DIODE-ZENER;MTZJ5.6B,5.6V,5.45-5.73V,500		2	R934	2001-000281	R-CARBON;100OHM,5%,1/8W,AA,TP,1.8X3.2MM	
2	DZ101	0403-000700	DIODE-ZENER;TZP33A,33V,31-35V,1W,DO-41,T		2	R224	2001-000290	R-CARBON;10KOHM,5%,1/8W,AA,TP,1.8X3.2MM	
2	DZ303	0403-000700	DIODE-ZENER;TZP33A,33V,31-35V,1W,DO-41,T		2	R828	2001-000290	R-CARBON;10KOHM,5%,1/8W,AA,TP,1.8X3.2MM	
2	DZ803	0403-000700	DIODE-ZENER;TZP33A,33V,31-35V,1W,DO-41,T		2	R910	2001-000290	R-CARBON;10KOHM,5%,1/8W,AA,TP,1.8X3.2MM	
2	DZ201	0403-000720	DIODE-ZENER;MTZJ9.1B,9.1V,8.57-9.01V,500		2	R919	2001-000290	R-CARBON;10KOHM,5%,1/8W,AA,TP,1.8X3.2MM	
2	DZ204	0403-000720	DIODE-ZENER;MTZJ9.1B,9.1V,8.57-9.01V,500		2	R920	2001-000290	R-CARBON;10KOHM,5%,1/8W,AA,TP,1.8X3.2MM	
2	DZ205	0403-000720	DIODE-ZENER;MTZJ9.1B,9.1V,8.57-9.01V,500		2	R921	2001-000290	R-CARBON;10KOHM,5%,1/8W,AA,TP,1.8X3.2MM	
2	DZ207	0403-000720	DIODE-ZENER;MTZJ9.1B,9.1V,8.57-9.01V,500		2	R922	2001-000290	R-CARBON;10KOHM,5%,1/8W,AA,TP,1.8X3.2MM	
2	DZ501	0403-000720	DIODE-ZENER;MTZJ9.1B,9.1V,8.57-9.01V,500		2	R709	2001-000290	R-CARBON;10KOHM,5%,1/8W,AA,TP,1.8X3.2MM	
2	DZ502	0403-000720	DIODE-ZENER;MTZJ9.1B,9.1V,8.57-9.01V,500		2	R601	2001-000290	R-CARBON;10KOHM,5%,1/8W,AA,TP,1.8X3.2MM	
2	DZ503	0403-000720	DIODE-ZENER;MTZJ9.1B,9.1V,8.57-9.01V,500		2	R230	2001-000290	R-CARBON;10KOHM,5%,1/8W,AA,TP,1.8X3.2MM	
2	DZ504	0403-000720	DIODE-ZENER;MTZJ9.1B,9.1V,8.57-9.01V,500		2	R225	2001-001035	R-CARBON;910HM,5%,1/8W,AA,TP,1.8X3.2MM	
2	DZ704	0403-000720	DIODE-ZENER;MTZJ9.1B,9.1V,8.57-9.01V,500		2	R918	2001-000429	R-CARBON;1KOHM,5%,1/8W,AA,TP,1.8X3.2MM	
2	DZ808	0403-000720	DIODE-ZENER;MTZJ9.1B,9.1V,8.57-9.01V,500		2	R926	2001-000429	R-CARBON;1KOHM,5%,1/8W,AA,TP,1.8X3.2MM	
2	DZ306	0403-000720	DIODE-ZENER;MTZJ9.1B,9.1V,8.57-9.01V,500		2	R210	2001-000429	R-CARBON;1KOHM,5%,1/8W,AA,TP,1.8X3.2MM	
2	DZ307	0403-000720	DIODE-ZENER;MTZJ9.1B,9.1V,8.57-9.01V,500		2	R723	2001-000429	R-CARBON;1KOHM,5%,1/8W,AA,TP,1.8X3.2MM	
2	DZ701	0403-000720	DIODE-ZENER;MTZJ9.1B,9.1V,8.57-9.01V,500		2	R721	2001-000429	R-CARBON;1KOHM,5%,1/8W,AA,TP,1.8X3.2MM	
2	DZ702	0403-000720	DIODE-ZENER;MTZJ9.1B,9.1V,8.57-9.01V,500		2	R916	2001-000449	R-CARBON;2.2KOHM,5%,1/8W,AA,TP,1.8X3.2M	
2	DZ703	0403-000720	DIODE-ZENER;MTZJ9.1B,9.1V,8.57-9.01V,500		2	R917	2001-000449	R-CARBON;2.2KOHM,5%,1/8W,AA,TP,1.8X3.2M	
2	DZ801	0403-001140	DIODE-ZENER;RD10ESAB-T4,10V,9.19-10.30V,		2	R220	2001-000472	R-CARBON;2.7KOHM,5%,1/8W,AA,TP,1.8X3.2M	
2	DZ302	0403-001221	DIODE-ZENER;UZ39BSB,35.36-37.19V,500mW,DO		2	R901	2001-000472	R-CARBON;2.7KOHM,5%,1/8W,AA,TP,1.8X3.2M	
2	DZ806	0403-001317	DIODE-ZENER;MTZJ3.0B,3.01-3.22V,500mW,DO		2	R903	2001-000472	R-CARBON;2.7KOHM,5%,1/8W,AA,TP,1.8X3.2M	
2	DZ802	0403-001318	DIODE-ZENER;MTZJ4.3B,4.17-4.43V,500mW,DO		2	R907	2001-000472	R-CARBON;2.7KOHM,5%,1/8W,AA,TP,1.8X3.2M	
2	DZ203	0403-001322	DIODE-ZENER;MTZJ8.2B,7.78-8.19V,500mW,DO		2	R908	2001-000472	R-CARBON;2.7KOHM,5%,1/8W,AA,TP,1.8X3.2M	
2	DZ805	0403-001327	DIODE-ZENER;MTZJ18A,16.22-17.06V,500mW,DO		2	R214	2001-000490	R-CARBON;200OHM,5%,1/8W,AA,TP,1.8X3.2MM	
2	DZ301	0403-001328	DIODE-ZENER;MTZJ22A,20.15-21.20V,500mW,DO		2	R206	2001-000563	R-CARBON;27KOHM,5%,1/8W,AA,TP,1.8X3.2MM	
2	DZ305	0403-001328	DIODE-ZENER;MTZJ22A,20.15-21.20V,500mW,DO		2	R829	2001-000563	R-CARBON;27KOHM,5%,1/8W,AA,TP,1.8X3.2MM	
2	Q201	0501-000283	TR-SMALL SIGNAL;KSA539,PNP,400mW,TO-92,T		2	R929	2001-000563	R-CARBON;27KOHM,5%,1/8W,AA,TP,1.8X3.2MM	
2	Q901	0501-000283	TR-SMALL SIGNAL;KSA539,PNP,400mW,TO-92,T		2	R208	2001-000591	R-CARBON;3.3KOHM,5%,1/8W,AA,TP,1.8X3.2M	
2	Q402	0501-000369	TR-SMALL SIGNAL;KSC2331-Y,NPN,1000mW,TO-		2	R202	2001-000689	R-CARBON;390KOHM,5%,1/8W,AA,TP,1.8X3.2M	
2	Q202	0501-000389	TR-SMALL SIGNAL;KSC815,NPN,400mW,TO-92,T		2	R925	2001-000734	R-CARBON;4.7KOHM,5%,1/8W,AA,TP,1.8X3.2M	
2	Q205	0501-000389	TR-SMALL SIGNAL;KSC815,NPN,400mW,TO-92,T		2	R841	2001-000734	R-CARBON;4.7KOHM,5%,1/8W,AA,TP,1.8X3.2M	
2	Q903	0501-000389	TR-SMALL SIGNAL;KSC815,NPN,400mW,TO-92,T		2	R602	2001-000734	R-CARBON;4.7KOHM,5%,1/8W,AA,TP,1.8X3.2M	
2	Q905	0501-000389	TR-SMALL SIGNAL;KSC815,NPN,400mW,TO-92,T		2	R227	2001-000739	R-CARBON;4.7MOHM,5%,1/8W,AA,TP,1.8X3.2M	
2	Q704	0501-000389	TR-SMALL SIGNAL;KSC815,NPN,400mW,TO-92,T		2	R228	2001-000739	R-CARBON;4.7MOHM,5%,1/8W,AA,TP,1.8X3.2M	
2	Q701	0501-000389	TR-SMALL SIGNAL;KSC815,NPN,400mW,TO-92,T		2	R109	2001-000786	R-CARBON;47KOHM,5%,1/8W,AA,TP,1.8X3.2MM	
△	VX801S	1405-000187	VARIABLE;750V,1250A,12.5x7mm,TP		2	R724	2001-000786	R-CARBON;47KOHM,5%,1/8W,AA,TP,1.8X3.2MM	
2	R207	2001-000005	R-CARBON;390ohm,5%,1/8W,AA,TP,1.8X3.2mm		2	R725	2001-000786	R-CARBON;47KOHM,5%,1/8W,AA,TP,1.8X3.2MM	
2	R905	2001-000005	R-CARBON;390ohm,5%,1/8W,AA,TP,1.8X3.2mm		2	R726	2001-000786	R-CARBON;47KOHM,5%,1/8W,AA,TP,1.8X3.2MM	
2	R906	2001-000005	R-CARBON;390ohm,5%,1/8W,AA,TP,1.8X3.2mm		2	R727	2001-000786	R-CARBON;47KOHM,5%,1/8W,AA,TP,1.8X3.2MM	
2	R218	2001-000008	R-CARBON;15KOHM,5%,1/8W,AA,TP,1.8X3.2MM		2	R209	2001-000793	R-CARBON;47OHM,5%,1/8W,AA,TP,1.8X3.2MM	
					2	R927	2001-000793	R-CARBON;47OHM,5%,1/8W,AA,TP,1.8X3.2MM	
					2	R203	2001-000857	R-CARBON;560OHM,5%,1/8W,AA,TP,1.8X3.2MM	
					2	R204	2001-000857	R-CARBON;560OHM,5%,1/8W,AA,TP,1.8X3.2MM	
					2	R713	2001-000857	R-CARBON;560OHM,5%,1/8W,AA,TP,1.8X3.2MM	

Level	Loc. No.	Code No.	Description ; Specification	Remark	Level	Loc. No.	Code No.	Description ; Specification	Remark
2	R715	2001-000857	R-CARBON;560OHM,5%,1/8W,AA,TP,1.8X3.2MM		2	C248	2301-000445	C-FILM,PEF;4.7nF,5%,50V,TP,5.5x7x3mm,5mm	
2	R110	2001-000924	R-CARBON;680OHM,5%,1/8W,AA,TP,1.8X3.2MM		2	C420	2301-001065	C-FILM,MPPF;47nF,5%,630V,TP,19x15.5x7.7	
2	R915	2001-000924	R-CARBON;680OHM,5%,1/8W,AA,TP,1.8X3.2MM		2	C806	2301-001435	C-FILM,PPF;1.5nF,5%,1.2kV,TP,15.8x12.5mm	
2	R722	2001-000924	R-CARBON;680OHM,5%,1/8W,AA,TP,1.8X3.2MM		2	C301	2305-000285	C-FILM,MPEF;220nF,5%,100V,TP,10.5X5.5X15	
2	R108	2001-000947	R-CARBON;7.5KOHM,5%,1/8W,AA,TP,1.8X3.2M		2	C215	2305-000289	C-FILM,MPEF;220nF,5%,63V,TP,-5mm	
2	R222	2001-000947	R-CARBON;7.5KOHM,5%,1/8W,AA,TP,1.8X3.2M		2	C216	2305-000289	C-FILM,MPEF;220nF,5%,63V,TP,-5mm	
2	R702	2001-000969	R-CARBON;750OHM,5%,1/8W,AA,TP,1.8X3.2MM		2	C233	2305-000289	C-FILM,MPEF;220nF,5%,63V,TP,-5mm	
2	R719	2001-000969	R-CARBON;750OHM,5%,1/8W,AA,TP,1.8X3.2MM		2	C613	2305-000289	C-FILM,MPEF;220nF,5%,63V,TP,-5mm	
2	R720	2001-000969	R-CARBON;750OHM,5%,1/8W,AA,TP,1.8X3.2MM		2	C611	2305-000289	C-FILM,MPEF;220nF,5%,63V,TP,-5mm	
2	R408	2001-001037	R-CARBON(S);0.390OHM,5%,1/2W,AA,TP,2.4X6.4		△ 2	CR405S	2305-000382	C-FILM,MPEF;4.7nF,5%,400V,TP,-5mm	
2	R504	2001-001062	R-CARBON(S);10MOHM,5%,1/2W,AA,TP,2.4X6.4		2	C207	2305-000412	C-FILM,MPEF;470nF,5%,63V,TP,-5mm	
2	R414	2001-001078	R-CARBON(S);15KOHM,5%,1/2W,AA,TP,2.4X6.4		2	C901	2305-000412	C-FILM,MPEF;470nF,5%,63V,TP,-5mm	
2	R806	2001-001108	R-CARBON(S);22KOHM,5%,1/2W,AA,TP,2.4X6.4		2	C103	2305-000665	C-FILM,MPEF;100nF,5%,63V,TP,7.5x4.0x5.0m	
2	R411	2001-001114	R-CARBON(S);270OHM,5%,1/2W,AA,TP,2.4X6.4		2	C208	2305-000665	C-FILM,MPEF;100nF,5%,63V,TP,7.5x4.0x5.0m	
2	R809	2001-001150	R-CARBON(S);47KOHM,5%,1/2W,AA,TP,2.4X6.4		2	C210	2305-000665	C-FILM,MPEF;100nF,5%,63V,TP,7.5x4.0x5.0m	
2	R810	2001-001150	R-CARBON(S);47KOHM,5%,1/2W,AA,TP,2.4X6.4		2	C218	2305-000665	C-FILM,MPEF;100nF,5%,63V,TP,7.5x4.0x5.0m	
2	R501H	2002-001008	R-COMPOSITION;1.8Kohm,10%,1/2W,AA,TP,3.7		2	C230	2305-000665	C-FILM,MPEF;100nF,5%,63V,TP,7.5x4.0x5.0m	
2	R502H	2002-001008	R-COMPOSITION;1.8Kohm,10%,1/2W,AA,TP,3.7		2	C803	2305-000665	C-FILM,MPEF;100nF,5%,63V,TP,7.5x4.0x5.0m	
2	R503	2002-001008	R-COMPOSITION;1.8Kohm,10%,1/2W,AA,TP,3.7		2	C819	2305-000665	C-FILM,MPEF;100nF,5%,63V,TP,7.5x4.0x5.0m	
△ 2	RX801S	2002-001011	R-COMPOSITION;3.3Mohm,5%,1/2W,AA,TP,3.7x		2	C913	2305-000665	C-FILM,MPEF;100nF,5%,63V,TP,7.5x4.0x5.0m	
△ 2	RY801S	2002-001012	R-COMPOSITION;8.2Mohm,5%,1/2W,AA,TP,3.7x		2	C204	2305-000665	C-FILM,MPEF;100nF,5%,63V,TP,7.5x4.0x5.0m	
2	R827	2003-000652	R-METAL OXIDE(S);330ohm,5%,2W,AF,TP,4x12		2	C205	2305-000665	C-FILM,MPEF;100nF,5%,63V,TP,7.5x4.0x5.0m	
2	R316	2003-000652	R-METAL OXIDE(S);330ohm,5%,2W,AF,TP,4x12		2	C231	2305-000665	C-FILM,MPEF;100nF,5%,63V,TP,7.5x4.0x5.0m	
2	R315	2003-000652	R-METAL OXIDE(S);330ohm,5%,2W,AF,TP,4x12		2	C618	2305-000665	C-FILM,MPEF;100nF,5%,63V,TP,7.5x4.0x5.0m	
2	R403	2003-000784	R-METAL OXIDE(S);7.5Kohm,5%,2W,AF,TP,4x1		2	C225	2309-000138	C-FILM,PE-PPF;100nF,5%,50V,TP,20x16x8.5,	
2	R834	2003-001040	R-METAL OXIDE(S);47Kohm,5%,2W,AF,TP,3.9x		2	C812	2401-000262	C-AL;100uF,20%,160V,HR,TP,16x25.7,5	
2	R303	2008-001133	R-FUSIBLE(S);0.75ohm,5%,2W,AF,TP,3.9x10m		2	C817	2401-000302	C-AL;100uF,20%,25V,GPTP,6.3x11.5	
2	R801	2003-002171	R-METAL OXIDE(S);150ohm,5%,2W,AG,TP,3.9x		2	C823	2401-000302	C-AL;100uF,20%,25V,GPTP,6.3x11.5	
2	R402	2003-002178	R-METAL OXIDE(S);1Kohm,5%,2W,AG,TP,3.9x1		2	C915	2401-000302	C-AL;100uF,20%,25V,GPTP,6.3x11.5	
2	R407	2003-002209	R-METAL OXIDE(S);47Kohm,5%,2W,AG,TP,3.9X		2	C307	2401-000360	C-AL;100uF,20%,50V,GPTP,8x11.5,5	
2	R423	2004-001373	R-METAL(S);100Kohm,1%,1/2W,AA,TP,2.4x6.4		2	C308	2401-000360	C-AL;100uF,20%,50V,GPTP,8x11.5,5	
2	R424	2004-001402	R-METAL(S);6.8Kohm,1%,1/2W,AA,TP,2.4x6.4		2	C506	2401-000430	C-AL;10uF,20%,250V,GPTP,10x16mm,5m	
2	R219	2004-001914	R-METAL;39Kohm,2%,1/8W,AA,TP,1.8x3.5mm		2	C820	2401-000480	C-AL;10uF,20%,50V,GPTP,5x11.5	
2	R817	2004-004089	R-METAL(S);123Kohm,1%,1/2W,AA,TP,2.5x6.5		2	C612	2401-000480	C-AL;10uF,20%,50V,GPTP,5x11.5	
2	R304	2008-000253	R-FUSIBLE(S);0.47ohm,5%,1W,AF,TP,3.9x10m		2	C604	2401-000480	C-AL;10uF,20%,50V,GPTP,5x11.5	
2	R305	2008-000253	R-FUSIBLE(S);0.47ohm,5%,1W,AF,TP,3.9x10m		2	C403	2401-000560	C-AL;1uF,20%,160V,GPTP,6.3x11.5	
2	R825	2008-000266	R-FUSIBLE(S);1ohm,5%,2W,AF,TP,3.9x10mm		2	C219	2401-000603	C-AL;1uF,20%,50V,GPTP,5x11.5	
2	R824	2008-000294	R-FUSIBLE(S);33ohm,5%,2W,AF,TP,3.9x10mm		2	C212	2401-000660	C-AL;2.2uF,20%,50V,GPTP,5x11.5	
2	R420	2008-001110	R-FUSIBLE(S);68ohm,5%,2W,AG,TP,3.9X12mm		2	C221	2401-000660	C-AL;2.2uF,20%,50V,GPTP,5x11.5	
2	C904	2201-000180	C-CERAMIC,DISC;10nF,10%,50V,Y5V,TP,7x3.5		2	C605	2401-000660	C-AL;2.2uF,20%,50V,GPTP,5x11.5	
2	C501	2201-000192	C-CERAMIC,DISC;0.01nF,0.25pF,500V,NP0,TP		2	C222	2401-000758	C-AL;220nF,20%,50V,GPTP,5x11.5	
2	C302	2201-000259	C-CERAMIC,DISC;0.18nF,10%,500V,Y5P,TP5		2	C827	2401-000927	C-AL;22uF,20%,250V,GPTP,13x20.5	
2	C303	2201-000556	C-CERAMIC,DISC;0.47nF,10%,500V,Y5P,TP5		2	C101	2401-001101	C-AL;330uF,20%,16V,GPTP,8x11.5,5	
2	C305	2201-000556	C-CERAMIC,DISC;0.47nF,10%,500V,Y5P,TP5		2	C802	2401-001192	C-AL;33uF,20%,50V,GPTP,6.3x11.5	
2	C908	2201-000573	C-CERAMIC,DISC;0.047nF,5%,50V,NP0,TP,5x3		2	C504	2401-001232	C-AL;4.7uF,20%,250V,GPTP,10x12.5,5	
2	C909	2201-000573	C-CERAMIC,DISC;0.047nF,5%,50V,NP0,TP,5x3		2	C209	2401-001840	C-AL;100uF,20%,16V,GPTP,6.3x11.5	
2	C408	2201-000599	C-CERAMIC,DISC;0.56nF,10%,500V,Y5P,TP5		2	C213	2401-001840	C-AL;100uF,20%,16V,GPTP,6.3x11.5	
△ 2	CR404S	2201-000639	C-CERAMIC,DISC;0.68nF,10%,2kV,Y5P,TP,9x5		2	C229	2401-001840	C-AL;100uF,20%,16V,GPTP,6.3x11.5	
2	C503	2201-000723	C-CERAMIC,DISC;4.7nF,20%,3KV,Y5U,TP,16x5		2	C903	2401-001840	C-AL;100uF,20%,16V,GPTP,6.3x11.5	
2	C811	2201-000991	C-CERAMIC,DISC;0.56nF,10%,2kV,Y5P,TP,7.5		2	C910	2401-001840	C-AL;100uF,20%,50V,GPTP,6.3x11.5	
2	C814	2201-000991	C-CERAMIC,DISC;0.56nF,10%,2kV,Y5P,TP,7.5		2	C705	2401-001989	C-AL;4.7uF,20%,50V,BP,TP,5x11.5	
△ 2	CR409S	2201-000991	C-CERAMIC,DISC;0.56nF,10%,2kV,Y5P,TP,7.5		2	C706	2401-001989	C-AL;4.7uF,20%,50V,BP,TP,5x11.5	
2	C704	2202-000121	C-CERAMIC,MLC-AXIAL;100pF,10%,50V,Y5P,TP		2	C710	2401-001989	C-AL;4.7uF,20%,50V,BP,TP,5x11.5	
2	C703	2202-000121	C-CERAMIC,MLC-AXIAL;100pF,10%,50V,Y5P,TP		2	C711	2401-001989	C-AL;4.7uF,20%,50V,BP,TP,5x11.5	
2	C106	2202-000127	C-CERAMIC,MLC-AXIAL;10nF,+80-20%,25V,Y5V		2	C601	2401-001998	C-AL;1000uF,20%,25V,GPTP,10x20.5mm	
2	C111	2202-000127	C-CERAMIC,MLC-AXIAL;10nF,+80-20%,25V,Y5V		2	C206	2401-002235	C-AL;10uF,20%,16V,GPTP,5x11mm,5mm	
2	C105	2202-000127	C-CERAMIC,MLC-AXIAL;10nF,+80-20%,25V,Y5V		2	C220	2401-002235	C-AL;10uF,20%,16V,GPTP,5x11mm,5mm	
2	C702	2202-000210	C-CERAMIC,MLC-AXIAL;270pF,10%,50V,Y5P,TP		2	C709	2401-002235	C-AL;10uF,20%,16V,GPTP,5x11mm,5mm	
2	C115	2202-000632	C-CERAMIC,MLC-AXIAL;100nF,20%,50V,Z5U,TP		2	C304	2401-002288	C-AL;470uF,20%,25V,WT,TP,10x20.5	
2	C211	2202-000632	C-CERAMIC,MLC-AXIAL;100nF,20%,50V,Z5U,TP		2	C306	2401-002288	C-AL;470uF,20%,25V,WT,TP,10x20.5	
2	C911	2202-000632	C-CERAMIC,MLC-AXIAL;100nF,20%,50V,Z5U,TP		2	C813	2401-002290	C-AL;47uF,20%,160V,GPTP,13x20.5	
2	C223	2202-000796	C-CERAMIC,MLC-AXIAL;1nF,10%,50V,Y5P,TP3		2	C406	2401-002619	C-AL;47uF,20%,25V,GPTP,5x11.5	
2	C224	2202-000796	C-CERAMIC,MLC-AXIAL;1nF,10%,50V,Y5P,TP3		2	C214	2401-003102	C-AL;100uF,20%,10V,GPTP,5x11.5	
2	C906	2202-000796	C-CERAMIC,MLC-AXIAL;1nF,10%,50V,Y5P,TP3		2	L103	2701-000114	INDUCTOR-AXIAL;10uH,10%,2.5x3.4mm	
2	C505	2202-000825	C-CERAMIC,MLC-AXIAL;680pF,10%,50V,Y5P,TP		2	L202	2701-000114	INDUCTOR-AXIAL;10uH,10%,2.5x3.4mm	
2	C226	2202-000829	C-CERAMIC,MLC-AXIAL;0.82nF,10%,50V,Y5P,TP		2	L301	2701-000142	INDUCTOR-AXIAL;1uH,10%,2.5x3.4mm	
2	C707	2301-000204	C-FILM,PEF;2.7nF,5%,50V,TP,7.4x3.9x13mm,5		2	L302	2701-000142	INDUCTOR-AXIAL;1uH,10%,2.5x3.4mm	
2	C502	2301-000213	C-FILM,PEF;220nF,5%,250V,TP,2.1.5x11.7,5		2	L404	2701-000142	INDUCTOR-AXIAL;1uH,10%,2.5x3.4mm	
2	C109	2301-000224	C-FILM,PEF;22nF,5%,50V,TP,7.4x3.9x13mm,5		2	L903	2701-000159	INDUCTOR-AXIAL;22uH,10%,2.5x3.4mm	
2	C804	2301-000224	C-FILM,PEF;22nF,5%,50V,TP,7.4x3.9x13mm,5		2	L102	2701-000159	INDUCTOR-AXIAL;22uH,10%,4.2x9.8mm	
2	C805	2301-000235	C-FILM,PEF;3.9nF,5%,50V,TP,6.5x3.0x5.5mm		2	L201	2701-000159	INDUCTOR-AXIAL;22uH,10%,4.2x9.8mm	
2	C309	2301-000254	C-FILM,PEF;39nF,5%,50V,TP,7.5x3.5x6.5mm,		2	L205	2701-000159	INDUCTOR-AXIAL;22uH,10%,4.2x9.8mm	
2	C606	2301-000111	C-FILM,PEF;1.8nF,5%,50V,TP,6.5x3.0x5.5mm		2	L405	2701-000159	INDUCTOR-AXIAL;22uH,10%,4.2x9.8mm	
2	C217	2301-000342	C-FILM,PEF;2.2nF,5%,50V,TP,7.4x3.9x13mm,		2	L104	2701-000168	INDUCTOR-AXIAL;3.3uH,5%,2.5x3.4mm	
2	C234	2301-000342	C-FILM,PEF;2.2nF,5%,50V,TP,7.4x3.9x13mm,		2	L902	2701-000180	INDUCTOR-AXIAL;33uH,5%,2.5x3.4mm	
2	C407	2301-000383	C-FILM,PEF;10nF,5%,50V,TP,6x7x3.2mm,5mm		2	L904	2701-000180	INDUCTOR-AXIAL;33uH,5%,2.5x3.4mm	
2	C227	2301-000445	C-FILM,PEF;4.7nF,5%,50V,TP,5.5x7x3mm,5mm		2	L702	2701-000184	INDUCTOR-AXIAL;4.7uH,10%,2.5x3.4mm	

Level	Loc. No.	Code No.	Description ; Specification	Remark	Level	Loc. No.	Code No.	Description ; Specification	Remark
2	L703	2701-000184	INDUCTOR-AXIAL;4.7uH,10%,2.5x3.4mm		2	J176	3812-000219	WIRE-NO SHEATH CU;TCWA,300V,52mm(TAPING)	
2	L704	2701-000184	INDUCTOR-AXIAL;4.7uH,10%,2.5x3.4mm		2	J181	3812-000219	WIRE-NO SHEATH CU;TCWA,300V,52mm(TAPING)	
2	L706	2701-000184	INDUCTOR-AXIAL;4.7uH,10%,2.5x3.4mm		2	J182	3812-000219	WIRE-NO SHEATH CU;TCWA,300V,52mm(TAPING)	
2	L204	2701-000184	INDUCTOR-AXIAL;4.7uH,10%,2.5x3.4mm		2	J183	3812-000219	WIRE-NO SHEATH CU;TCWA,300V,52mm(TAPING)	
2	X901	2801-003937	CRYSTAL-UNIT;12MHz,25ppm,28-AAM,30pF,30o		2	J184	3812-000219	WIRE-NO SHEATH CU;TCWA,300V,52mm(TAPING)	
2	L403	2901-000297	FILTER-EMI ON BOARD;-,3A,-,-,3.5x5,TP-		2	J185	3812-000219	WIRE-NO SHEATH CU;TCWA,300V,52mm(TAPING)	
2	L806	2901-000297	FILTER-EMI ON BOARD;-,3A,-,-,3.5x5,TP-		2	J186	3812-000219	WIRE-NO SHEATH CU;TCWA,300V,52mm(TAPING)	
2	L808	2901-000297	FILTER-EMI ON BOARD;-,3A,-,-,3.5x5,TP-		2	J187	3812-000219	WIRE-NO SHEATH CU;TCWA,300V,52mm(TAPING)	
2	Z202	2903-001040	FILTER-CERAMIC;TR,5.5/6.0/6.5MHz,-,1dB,-		2	J189	3812-000219	WIRE-NO SHEATH CU;TCWA,300V,52mm(TAPING)	
2	J910	3301-000287	CORE-FERRITE BEAD;AA,3.5x1.0x6.0mm,1500,		2	J190	3812-000219	WIRE-NO SHEATH CU;TCWA,300V,52mm(TAPING)	
2	L802	3301-000287	CORE-FERRITE BEAD;AA,3.5x1.0x6.0mm,1500,		2	J192	3812-000219	WIRE-NO SHEATH CU;TCWA,300V,52mm(TAPING)	
2	L803	3301-000287	CORE-FERRITE BEAD;AA,3.5x1.0x6.0mm,1500,		2	J193	3812-000219	WIRE-NO SHEATH CU;TCWA,300V,52mm(TAPING)	
2	SW901	3404-000244	SWITCH-TACT;15V,20mA,90-170gf,7.5x7mm,SP		2	J195	3812-000219	WIRE-NO SHEATH CU;TCWA,300V,52mm(TAPING)	
2	SW902	3404-000244	SWITCH-TACT;15V,20mA,90-170gf,7.5x7mm,SP		2	J196	3812-000219	WIRE-NO SHEATH CU;TCWA,300V,52mm(TAPING)	
2	SW903	3404-000244	SWITCH-TACT;15V,20mA,90-170gf,7.5x7mm,SP		2	J198	3812-000219	WIRE-NO SHEATH CU;TCWA,300V,52mm(TAPING)	
2	SW904	3404-000244	SWITCH-TACT;15V,20mA,90-170gf,7.5x7mm,SP		2	J209	3812-000219	WIRE-NO SHEATH CU;TCWA,300V,52mm(TAPING)	
2	SW905	3404-000244	SWITCH-TACT;15V,20mA,90-170gf,7.5x7mm,SP		2	J211	3812-000219	WIRE-NO SHEATH CU;TCWA,300V,52mm(TAPING)	
△	FD801S	3601-001163	FUSE-AXIAL LEAD;125V,7A,-,EPOXY,2.4X7.1M		2	J212	3812-000219	WIRE-NO SHEATH CU;TCWA,300V,52mm(TAPING)	
2	F801A	3602-000114	FUSE-HOLDER;-,30mohm		2	J401	3812-000219	WIRE-NO SHEATH CU;TCWA,300V,52mm(TAPING)	
2	F801B	3602-000114	FUSE-HOLDER;-,30mohm		2	J803	3812-000219	WIRE-NO SHEATH CU;TCWA,300V,52mm(TAPING)	
2	C107	3812-000219	WIRE-NO SHEATH CU;TCWA,300V,52mm(TAPING)		2	J807	3812-000219	WIRE-NO SHEATH CU;TCWA,300V,52mm(TAPING)	
2	C507	3812-000219	WIRE-NO SHEATH CU;TCWA,300V,52mm(TAPING)		2	J812	3812-000219	WIRE-NO SHEATH CU;TCWA,300V,52mm(TAPING)	
2	C508	3812-000219	WIRE-NO SHEATH CU;TCWA,300V,52mm(TAPING)		2	J902	3812-000219	WIRE-NO SHEATH CU;TCWA,300V,52mm(TAPING)	
2	C912	3812-000219	WIRE-NO SHEATH CU;TCWA,300V,52mm(TAPING)		△	NT801S	3812-000219	WIRE-NO SHEATH CU;TCWA,300V,52mm(TAPING)	
2	D202	3812-000219	WIRE-NO SHEATH CU;TCWA,300V,52mm(TAPING)		2	R309	3812-000219	WIRE-NO SHEATH CU;TCWA,300V,52mm(TAPING)	
2	J102	3812-000219	WIRE-NO SHEATH CU;TCWA,300V,52mm(TAPING)		2	R406	3812-000219	WIRE-NO SHEATH CU;TCWA,300V,52mm(TAPING)	
2	J103	3812-000219	WIRE-NO SHEATH CU;TCWA,300V,52mm(TAPING)		△	R422S	3812-000219	WIRE-NO SHEATH CU;TCWA,300V,52mm(TAPING)	
2	J104	3812-000219	WIRE-NO SHEATH CU;TCWA,300V,52mm(TAPING)		2	R507	3812-000219	WIRE-NO SHEATH CU;TCWA,300V,52mm(TAPING)	
2	J105	3812-000219	WIRE-NO SHEATH CU;TCWA,300V,52mm(TAPING)		2	R508	3812-000219	WIRE-NO SHEATH CU;TCWA,300V,52mm(TAPING)	
2	J106	3812-000219	WIRE-NO SHEATH CU;TCWA,300V,52mm(TAPING)		2	R509	3812-000219	WIRE-NO SHEATH CU;TCWA,300V,52mm(TAPING)	
2	J107	3812-000219	WIRE-NO SHEATH CU;TCWA,300V,52mm(TAPING)		2	R717	3812-000219	WIRE-NO SHEATH CU;TCWA,300V,52mm(TAPING)	
2	J108	3812-000219	WIRE-NO SHEATH CU;TCWA,300V,52mm(TAPING)		2	J153	3812-000219	WIRE-NO SHEATH CU;TCWA,300V,52mm(TAPING)	
2	J110	3812-000219	WIRE-NO SHEATH CU;TCWA,300V,52mm(TAPING)		2	J174	3812-000219	WIRE-NO SHEATH CU;TCWA,300V,52mm(TAPING)	
2	J111	3812-000219	WIRE-NO SHEATH CU;TCWA,300V,52mm(TAPING)		2	J204	3812-000219	WIRE-NO SHEATH CU;TCWA,300V,52mm(TAPING)	
2	J113	3812-000219	WIRE-NO SHEATH CU;TCWA,300V,52mm(TAPING)		2	J177	3812-000219	WIRE-NO SHEATH CU;TCWA,300V,52mm(TAPING)	
2	J114	3812-000219	WIRE-NO SHEATH CU;TCWA,300V,52mm(TAPING)		2	J199	3812-000219	WIRE-NO SHEATH CU;TCWA,300V,52mm(TAPING)	
2	J120	3812-000219	WIRE-NO SHEATH CU;TCWA,300V,52mm(TAPING)		2	J112	3812-000219	WIRE-NO SHEATH CU;TCWA,300V,52mm(TAPING)	
2	J121	3812-000219	WIRE-NO SHEATH CU;TCWA,300V,52mm(TAPING)		2	J913	3812-000219	WIRE-NO SHEATH CU;TCWA,300V,52mm(TAPING)	
2	J122	3812-000219	WIRE-NO SHEATH CU;TCWA,300V,52mm(TAPING)		2	J169	3812-000219	WIRE-NO SHEATH CU;TCWA,300V,52mm(TAPING)	
2	J124	3812-000219	WIRE-NO SHEATH CU;TCWA,300V,52mm(TAPING)		2	R701	3812-000219	WIRE-NO SHEATH CU;TCWA,300V,52mm(TAPING)	
2	J126	3812-000219	WIRE-NO SHEATH CU;TCWA,300V,52mm(TAPING)		2	L910	3812-000219	WIRE-NO SHEATH CU;TCWA,300V,52mm(TAPING)	
2	J127	3812-000219	WIRE-NO SHEATH CU;TCWA,300V,52mm(TAPING)		2	J200	3812-000219	WIRE-NO SHEATH CU;TCWA,300V,52mm(TAPING)	
2	J128	3812-000219	WIRE-NO SHEATH CU;TCWA,300V,52mm(TAPING)		2	J117	3812-000219	WIRE-NO SHEATH CU;TCWA,300V,52mm(TAPING)	
2	J129	3812-000219	WIRE-NO SHEATH CU;TCWA,300V,52mm(TAPING)		△	D802	3812-000219	WIRE-NO SHEATH CU;TCWA,300V,52mm(TAPING)	
2	J131	3812-000219	WIRE-NO SHEATH CU;TCWA,300V,52mm(TAPING)		2	R805	3812-000219	WIRE-NO SHEATH CU;TCWA,300V,52mm(TAPING)	
2	J132	3812-000219	WIRE-NO SHEATH CU;TCWA,300V,52mm(TAPING)		2	R850	3812-000219	WIRE-NO SHEATH CU;TCWA,300V,52mm(TAPING)	
2	J133	3812-000219	WIRE-NO SHEATH CU;TCWA,300V,52mm(TAPING)		2	R229	3812-000219	WIRE-NO SHEATH CU;TCWA,300V,52mm(TAPING)	
2	J134	3812-000219	WIRE-NO SHEATH CU;TCWA,300V,52mm(TAPING)		2	R107	3812-000219	WIRE-NO SHEATH CU;TCWA,300V,52mm(TAPING)	
2	J135	3812-000219	WIRE-NO SHEATH CU;TCWA,300V,52mm(TAPING)		2	J179	3812-000219	WIRE-NO SHEATH CU;TCWA,300V,52mm(TAPING)	
2	J136	3812-000219	WIRE-NO SHEATH CU;TCWA,300V,52mm(TAPING)		2	J180	3812-000219	WIRE-NO SHEATH CU;TCWA,300V,52mm(TAPING)	
2	J138	3812-000219	WIRE-NO SHEATH CU;TCWA,300V,52mm(TAPING)		2	J601	3812-000219	WIRE-NO SHEATH CU;TCWA,300V,52mm(TAPING)	
2	J139	3812-000219	WIRE-NO SHEATH CU;TCWA,300V,52mm(TAPING)		2	J603	3812-000219	WIRE-NO SHEATH CU;TCWA,300V,52mm(TAPING)	
2	J140	3812-000219	WIRE-NO SHEATH CU;TCWA,300V,52mm(TAPING)		2	J814	3812-000219	WIRE-NO SHEATH CU;TCWA,300V,52mm(TAPING)	
2	J142	3812-000219	WIRE-NO SHEATH CU;TCWA,300V,52mm(TAPING)		2	R708	3812-000219	WIRE-NO SHEATH CU;TCWA,300V,52mm(TAPING)	
2	J143	3812-000219	WIRE-NO SHEATH CU;TCWA,300V,52mm(TAPING)		2	J207	3812-000219	WIRE-NO SHEATH CU;TCWA,300V,52mm(TAPING)	
2	J145	3812-000219	WIRE-NO SHEATH CU;TCWA,300V,52mm(TAPING)		2	R101	3812-000219	WIRE-NO SHEATH CU;TCWA,300V,52mm(TAPING)	
2	J146	3812-000219	WIRE-NO SHEATH CU;TCWA,300V,52mm(TAPING)		2	R102	3812-000219	WIRE-NO SHEATH CU;TCWA,300V,52mm(TAPING)	
2	J147	3812-000219	WIRE-NO SHEATH CU;TCWA,300V,52mm(TAPING)		2	PCB	AA41-00131G	PCB-MAIN;CS2139.FR-1,1LG,1.6T,245X245,K	
2	J148	3812-000219	WIRE-NO SHEATH CU;TCWA,300V,52mm(TAPING)		2	EY101	AA60-40011A	K EYELET;ID2.0,OD2.8,BST	
2	J150	3812-000219	WIRE-NO SHEATH CU;TCWA,300V,52mm(TAPING)		2	EY401	AA60-40011A	K EYELET;ID2.0,OD2.8,BST	
2	J151	3812-000219	WIRE-NO SHEATH CU;TCWA,300V,52mm(TAPING)		2	EY402	AA60-40011A	K EYELET;ID2.0,OD2.8,BST	
2	J152	3812-000219	WIRE-NO SHEATH CU;TCWA,300V,52mm(TAPING)		2	EY403	AA60-40011A	K EYELET;ID2.0,OD2.8,BST	
2	J154	3812-000219	WIRE-NO SHEATH CU;TCWA,300V,52mm(TAPING)		2	EY404	AA60-40011A	K EYELET;ID2.0,OD2.8,BST	
2	J155	3812-000219	WIRE-NO SHEATH CU;TCWA,300V,52mm(TAPING)		2	EY405	AA60-40011A	K EYELET;ID2.0,OD2.8,BST	
2	J156	3812-000219	WIRE-NO SHEATH CU;TCWA,300V,52mm(TAPING)		2	EY406	AA60-40011A	K EYELET;ID2.0,OD2.8,BST	
2	J157	3812-000219	WIRE-NO SHEATH CU;TCWA,300V,52mm(TAPING)		2	EY407	AA60-40011A	K EYELET;ID2.0,OD2.8,BST	
2	J158	3812-000219	WIRE-NO SHEATH CU;TCWA,300V,52mm(TAPING)		2	EY408	AA60-40011A	K EYELET;ID2.0,OD2.8,BST	
2	J159	3812-000219	WIRE-NO SHEATH CU;TCWA,300V,52mm(TAPING)		2	EY409	AA60-40011A	K EYELET;ID2.0,OD2.8,BST	
2	J160	3812-000219	WIRE-NO SHEATH CU;TCWA,300V,52mm(TAPING)		2	EY410	AA60-40011A	K EYELET;ID2.0,OD2.8,BST	
2	J163	3812-000219	WIRE-NO SHEATH CU;TCWA,300V,52mm(TAPING)		2	EY411	AA60-40011A	K EYELET;ID2.0,OD2.8,BST	
2	J167	3812-000219	WIRE-NO SHEATH CU;TCWA,300V,52mm(TAPING)		2	EY412	AA60-40011A	K EYELET;ID2.0,OD2.8,BST	
2	J168	3812-000219	WIRE-NO SHEATH CU;TCWA,300V,52mm(TAPING)		2	EY414	AA60-40011A	K EYELET;ID2.0,OD2.8,BST	
2	J170	3812-000219	WIRE-NO SHEATH CU;TCWA,300V,52mm(TAPING)		2	EY415	AA60-40011A	K EYELET;ID2.0,OD2.8,BST	
2	J171	3812-000219	WIRE-NO SHEATH CU;TCWA,300V,52mm(TAPING)		2	EY416	AA60-40011A	K EYELET;ID2.0,OD2.8,BST	
2	J173	3812-000219	WIRE-NO SHEATH CU;TCWA,300V,52mm(TAPING)		2	EY417	AA60-40011A	K EYELET;ID2.0,OD2.8,BST	
2	J175	3812-000219	WIRE-NO SHEATH CU;TCWA,300V,52mm(TAPING)		2	EY419	AA60-40011A	K EYELET;ID2.0,OD2.8,BST	

Level	Loc. No.	Code No.	Description ; Specification	Remark	Level	Loc. No.	Code No.	Description ; Specification	Remark
2	EY420	AA60-40011A	K EYELET;ID2.0,OD2.8,BST		2	R811	2003-002239	R-METAL OXIDE(S);100KOHM,5%,2W,AF,TP;3.9	
2	EY421	AA60-40011A	K EYELET;ID2.0,OD2.8,BST		2	R812	2003-002239	R-METAL OXIDE(S);100KOHM,5%,2W,AF,TP;3.9	
2	EY422	AA60-40011A	K EYELET;ID2.0,OD2.8,BST		2	R413	2003-001035	R-METAL OXIDE(S);27ohm,5%,2W,AF,TP;3.9x1	
2	EY423	AA60-40011A	K EYELET;ID2.0,OD2.8,BST		2	C110	2401-000962	C-AL;22uF;20%,50V,GP,TP5x11.5	
2	EY501	AA60-40011A	K EYELET;ID2.0,OD2.8,BST		2	R840	2001-001122	R-CARBON(S);3.9KOHM,5%,1/2W,AA,TP;2.4X6.	
2	EY801	AA60-40011A	K EYELET;ID2.0,OD2.8,BST		2	C818	2401-003028	C-AL;100uF;20%,25V,WT,TP6.3x11.5	
2	EY802	AA60-40011A	K EYELET;ID2.0,OD2.8,BST		2	C821	2401-003028	C-AL;100uF;20%,25V,WT,TP6.3x11.5	
2	EY803	AA60-40011A	K EYELET;ID2.0,OD2.8,BST		2	R728	2001-000273	R-CARBON;100KOHM,5%,1/8W,AA,TP;1.8X3.2MM	
2	EY807	AA60-40011A	K EYELET;ID2.0,OD2.8,BST		2	R923	2001-000273	R-CARBON;100KOHM,5%,1/8W,AA,TP;1.8X3.2MM	
2	EY808	AA60-40011A	K EYELET;ID2.0,OD2.8,BST		2	C603	2301-000247	C-FILM,PEF;33nF;5%,50V,TP8.1x4.5x13mm.5	
2	EY809	AA60-40011A	K EYELET;ID2.0,OD2.8,BST		2	0203-001123	TAPE-PAPER;#53131,TO.15,W6.0,L200000,YEL		
2	EY810	AA60-40011A	K EYELET;ID2.0,OD2.8,BST		2	C102	2202-000279	C-CERAMIC,MLC-AXIAL;47pF;5%,50V,SL,TP;3.	
2	EY813	AA60-40011A	K EYELET;ID2.0,OD2.8,BST		2	DZ401	0403-001319	DIODE-ZENER;MTZJ4.7C,4.68-4.93V,500mW,DO	
2	EY818	AA60-40011A	K EYELET;ID2.0,OD2.8,BST		2	DZ906	0403-001319	DIODE-ZENER;MTZJ4.7C,4.68-4.93V,500mW,DO	
2	EY819	AA60-40011A	K EYELET;ID2.0,OD2.8,BST		2	DZ907	0403-001319	DIODE-ZENER;MTZJ4.7C,4.68-4.93V,500mW,DO	
2	EY821	AA60-40011A	K EYELET;ID2.0,OD2.8,BST		2	DZ908	0403-001319	DIODE-ZENER;MTZJ4.7C,4.68-4.93V,500mW,DO	
2	EY822	AA60-40011A	K EYELET;ID2.0,OD2.8,BST		△ 2	NT802S	1404-001045	THERMISTOR-NTC;4.7ohm,15%,2900K,35.0mW,T	
2	EY823	AA60-40011A	K EYELET;ID2.0,OD2.8,BST		△ 2	P803S	1404-001156	THERMISTOR-PTC;90HM,+30%/-20%,220VRMS,27	
2	EY824	AA60-40011A	K EYELET;ID2.0,OD2.8,BST		△ 2	CX801S	2306-000318	C-FILM,MPPF;220nF;20%,250V,TP,-22.5mm	
2	EY825	AA60-40011A	K EYELET;ID2.0,OD2.8,BST		△ 2	SF101S	2904-001063	FILTER-SAW AV;38.9MHz,SIP5K,TP;18.5dB,B/	
2	EY827	AA60-40011A	K EYELET;ID2.0,OD2.8,BST		△ 2	T401	AA26-50001B	TRANS-HORIZ.DRIVE;---,7.1mH,---,102uH,	
2	EY828	AA60-40011A	K EYELET;ID2.0,OD2.8,BST		△ 2	LX801S	AA29-30001D	FILTER LINE NOISE;SQ1913,-6.0MH,0.8A,-	
2	EY829	AA60-40011A	K EYELET;ID2.0,OD2.8,BST		△ 2	TU01S	AA40-00076A	TUNER;TECC0949PG35A(S),PAL,181CH,38.	
2	EY830	AA60-40011A	K EYELET;ID2.0,OD2.8,BST		2	LD901	AA96-00555A	ASSY LED GUIDE;---,UJEX-LD-030,GREEN	
2	EY833	AA60-40011A	K EYELET;ID2.0,OD2.8,BST		2	IC501	AA96-00842A	ASSY H/S;VIDEO,AA62-30175D,TDA6107Q	
2	EY850	AA60-40011A	K EYELET;ID2.0,OD2.8,BST		3	IC501	1201-001541	IC-VIDEO AMP;6107,ZSIP;9P,-,SINGLE,-,PLA	
2	EY851	AA60-40011A	K EYELET;ID2.0,OD2.8,BST		3	SCR501	6003-000334	SCREW-TAPTITE;RH,+2S,M3,L6,ZPC(YEL),SWR	
2	EY852	AA60-40011A	K EYELET;ID2.0,OD2.8,BST		3	H/S501	AA62-30175D	HEAT SINK-PS;-SECC,T1.0,-,33X15X30 FT-2	
2	EY853	AA60-40011A	K EYELET;ID2.0,OD2.8,BST		△ 2	V999S	3704-001105	SOCKET-CRT;1P;20PI,26.5PI,NI,-	
2	EY860	AA60-40011A	K EYELET;ID2.0,OD2.8,BST		2	RM901	AA32-00015A	MODULE REMOCON;FRP-3521H31,38KHZ,940MM,M	
2	EY861	AA60-40011A	K EYELET;ID2.0,OD2.8,BST		△ 2	IC801S	AA96-00845A	ASSY H/S;POWER,AA62-30186B,KA500765R	
2	EL301	AA60-40011B	K EYELET;ID2.2,OD3.2,BSP		△ 3	IC801	1203-001932	IC-PWM CONTROLLER;SQ0765,TO-220F;5P;185M	
2	EL302	AA60-40011B	K EYELET;ID2.2,OD3.2,BSP		3	SCR801	6003-000333	SCREW-TAPTITE;RH,+2S,M3,L10,ZPC(YEL),SW	
2	EL403	AA60-40011B	K EYELET;ID2.2,OD3.2,BSP		3	H/S801	AA62-30186B	HEAT SINK-ES;---,SILVER,171J+ COVER-H	
2	EL404	AA60-40011B	K EYELET;ID2.2,OD3.2,BSP		3		HA68-02189A	LABEL-WARNING;33MM,18MM,WHITE	
2	EL407	AA60-40011B	K EYELET;ID2.2,OD3.2,BSP		3		0205-000129	GREASE-SILICON;SC102,JAPAN	
2	EL408	AA60-40011B	K EYELET;ID2.2,OD3.2,BSP		△ 2	IC802	AA96-00846A	ASSY H/S;POWER,AA62-00055A,KA7632	
2	EL501	AA60-40011B	K EYELET;ID2.2,OD3.2,BSP		△ 3	IC802	1203-001939	IC-POS.FIXED REG.;7632,SIP;10P,-,PLASTI	
2	EL502	AA60-40011B	K EYELET;ID2.2,OD3.2,BSP		3	H/S802	AA62-00055A	HEAT SINK-PS;-T1.0,-,35*15*25,D1,-,	
2	EL601	AA60-40011B	K EYELET;ID2.2,OD3.2,BSP		3	SCR802	6003-000334	SCREW-TAPTITE;RH,+2S,M3,L6,ZPC(YEL),SWR	
2	EL602	AA60-40011B	K EYELET;ID2.2,OD3.2,BSP		2	IC902	1103-001106	IC-EEPROM;C81DC,1028x8BIT,DIP;8P;300MIL,	
2	EL603	AA60-40011B	K EYELET;ID2.2,OD3.2,BSP		△ 2	SW801S	3403-001107	SWITCH-PUSH;250V,5A,DPST,-,KDC-A04	
2	EL604	AA60-40011B	K EYELET;ID2.2,OD3.2,BSP		2	Q401	0502-001160	TR-POWER;2SD2499,NPN,50000mW,TO-3P;BK,8	
2	EL801	AA60-40011B	K EYELET;ID2.2,OD3.2,BSP		2	JS701	3722-000183	JACK-SCART;21P;4mm,SN,BLK,NO	
2	EL802	AA60-40011B	K EYELET;ID2.2,OD3.2,BSP		2	TOP	AA39-20010D	LEAD CONNECTOR-ASSY;1P,YFH800-01,S,400,	
2	EL804	AA60-40011B	K EYELET;ID2.2,OD3.2,BSP		2	CN501	AA39-20620C	LEAD CONNECTOR-ASSY;9P,YBNH250-09,S,500	
2	GT101	AA60-40014A	PIN-GT,ASSY,AUTO		2	IC301	AA96-00847A	ASSY H/S;AA62-00046A,LA7840	
2	GT502	AA60-40014A	PIN-GT,ASSY,AUTO		3		1204-001483	IC-VERTICAL PROCESSOR;LA7840,SIP;7P;708MI	
2	GT802	AA60-40014A	PIN-GT,ASSY,AUTO		3		AA62-00064A	HEAT SINK-PS;DP;---,AA62-00046A,---,	
2	GT803	AA60-40014A	PIN-GT,ASSY,AUTO		3		6003-000334	SCREW-TAPTITE;RH,+2S,M3,L6,ZPC(YEL),SWR	
2	GT804	AA60-40014A	PIN-GT,ASSY,AUTO		3		0205-000129	GREASE-SILICON;SC102,JAPAN	
2	GT805	AA60-40014A	PIN-GT,ASSY,AUTO		2	C801	2401-002221	C-AL;220uF;20%,450V,GP,ST,25x40,10	
2	GT806	AA60-40014A	PIN-GT,ASSY,AUTO		△ 2	CR402S	2306-000350	C-FILM,MPPF;270nF;5%,400V,TP;26X18.5X10M	
2	GT501	AA60-40014A	PIN-GT,ASSY,AUTO		△ 2	T444S	AA26-00116A	TRANS FBT;FSV-14A004H(S),CT15A8,3.24MH,1	
2	GT807	AA60-40014A	PIN-GT,ASSY,AUTO		2	SUB	AA98-00079A	ASSY SUB PART;KS1A,MAIN(OPT),PAL,-	
2	R505	2008-001011	R-FUSIBLE(S);0.18ohm,10%,2W,AF,TP;3.9x10		3		0202-000008	SOLDER-WIRE;S63S-W3.0,S63S,D3,63Sn/37Pb,	
2	L101	2701-000171	INDUCTOR-AXIAL;330nH,10%,2.5x3.4mm		3		0202-000187	SOLDER-WIRE FLUX;-RS60S,D1,2.63Sn/37Pb	
2	HIC01	AA13-20004W	IC HYBRID;-PAP103T,SIP;6PPRE-AMPTP		3		0204-000442	SOLVENT;1M-1000,C3H7OH,96,-	
2	RW701	2011-001133	R-NETWORK;33K/24K/75x3.5%,1/8W,X,SIP;6P,		3		0204-001024	FLUX;DF-98TVS,-,20%,-	
2	R814	2008-001086	R-FUSIBLE(S);3.3ohm,5%,2W,AG,TP;3.9x12mm		△ 2	LR401S	AA27-30001B	COIL LINEARITY;-195uH,QIC1010,PIO.4.4.5	
2	R815	2008-001086	R-FUSIBLE(S);3.3ohm,5%,2W,AG,TP;3.9x12mm		△ 2	CR410S	2303-001015	C-FILM,PPF;5.5nF;5%,1.6kV,TP;29x9.5x17.2	
2	R421	2008-001013	R-FUSIBLE(S);1.2ohm,5%,2W,AF,TP;3.9x10mm		2	IC602	AA96-00848A	ASSY H/S;SOUND,AA62-30175D,TDA8943	
2	Z203	2903-000183	FILTER-CERAMIC;BR,5.5MHz,---,TP;TPS5.5		3	SCR602	6003-000334	SCREW-TAPTITE;RH,+2S,M3,L6,ZPC(YEL),SWR	
2	J101	2001-000613	R-CARBON;3.9KOHM,5%,1/8W,AA,TP;1.8X3.2MM		3	H/S602	AA62-30175D	HEAT SINK-PS;-SECC,T1.0,-,33X15X30 FT-2	
2	L807	2701-001030	INDUCTOR-AXIAL;43uH,10%,5x14mm		3	IC602	1201-001740	IC-AUDIO AMP;TDA8943,SIL,9P;850MIL,SINGL	
2	L804	2701-001030	INDUCTOR-AXIAL;43uH,10%,5x14mm		2	CN703	3711-002648	CONNECTOR-HEADER;BOX,9P;1R,2.5mm,STRAIGH	
2	C615	2202-000253	C-CERAMIC,MLC-AXIAL;4.7nF;20%,16V,Y5R,TP		2	CN603	3711-002643	CONNECTOR-HEADER;BOX,4P;1R,2.5mm,STRAIGH	
2	C822	2401-000711	C-AL;2200uF;20%,25V,GP,TP;16x25,7.5		2	LW01	AA27-40001M	COIL HORIZ. WIDTH;-180/480uH,SB-5S6202.	
△ 2	FP801S	3601-000281	FUSE-CARTRIDGE;250V,4A,TIME-LAG,GLASS,5.		△ 2	CY801S	2201-000446	C-CERAMIC,DISC;3.3nF;20%,400V,Y5U,TP;15x	
2	R302	2004-004969	R-METAL(S);1.1Kohm,1%,1/2W,AA,TP;2.4x6.4		△ 2	IC201S	AA09-00287A	MICOM;TDA9351/N2/3I,SPM-802EE2,64P;3.	
2	R808	2001-001138	R-CARBON(S);390OHM,5%,1/2W,AA,TP;2.4X6.4		△ 2	T801S	AA26-00134A	TRANS SWITCHING;CS21S5T,160V-260V,PM2 P	
2	R831	2001-001088	R-CARBON(S);1KOHM,5%,1/2W,AA,TP;2.4X6.4MM		2	CN401	AA60-40012D	PIN-GT,ASSY;T1.6,6-12.5,-,NYLON66	
△ 2	D804	0401-000006	DIODE SWITCHING;BAV21,250V,250mA,DO-35,T						
△ 2	D805	0402-001470	DIODE-RECTIFIER;RU2BV1,800V,1A,DO-204AC,						
2	R405	2001-001116	R-CARBON(S);270OHM,5%,1/2W,AA,TP;2.4X6.4MM						
2	C203	2401-002462	C-AL;33uF;20%,16V,GP,TP;5x11.5						
2	R306	2004-001390	R-METAL(S);1Kohm,2%,1/2W,AA,TP;2.4x6.4mm						



Level	Loc. No.	Code No.	Description ; Specification	Remark
<b>ASSY CRT</b>				
1		AA94-05859A	ASSY CRT;A51EER31X,+400MG,21	
△ 2		AA03-00279A	CRT COLOR;A51EER33X,+380MG,2.07MH,21.0MH	
2		AA27-20003Z	COIL DEGAUSSING;-;21.13.5ohm,25T,L2380,E	
2		AA63-10002A	BAND-TIE;NYLON66 V2,L100,NTR	
2		AA98-70030A	ASSY TBC WIRE(P);DP,21,AA98-70014C,1P;TV	
2		AA65-30107A	CLAMPER CORE-D,COIL;20-22 INCH,NYLON 66,	

Level	Loc. No.	Code No.	Description ; Specification	Remark
<b>ASSY ETC</b>				
1		HA95-01477A	ASSY ETC;KS1A,A/V FRONT	
2	CN702	AA39-20112E	LEAD CONNECTOR-ASSY;-;9PYBNH025-09,67096	
2		0202-000008	SOLDER-WIRE;S63S-W3.0,S63S,D3,63Sn/37Pb,	
2		0202-000187	SOLDER-WIRE FLUX;-;RS60S,D1.2,63Sn/37Pb	
2		0204-001024	FLUX;DF-98TVS;-;20%,-	
2		0204-000442	SOLVENT;1M-1000,C3H7OH,96,-	
2	JE601	3722-000143	JACK-PHONE;1PVER;3.4PI,AG,BLK,NO	
2	JA702	3722-000506	JACK-PIN;2P;3.6mm,-;AG	
2	RE04	2701-000114	INDUCTOR-AXIAL;10uH,10%,2.5x3.4mm	
2	RE01	2001-001153	R-CARBON(S);470HM,5%,1/2W,AA,TP2.4X6.4M	
2	RE02	2001-001153	R-CARBON(S);470HM,5%,1/2W,AA,TP2.4X6.4M	
2	CE07	2202-000222	C-CERAMIC,MLC-AXIAL;3.3nF,20%,16V,Y5P,TP	
2	CE06	2202-000121	C-CERAMIC,MLC-AXIAL;100pf,10%,50V,Y5P,TP	
2	CE01	2401-001840	C-AL;100uF20%,16V,GPTP;6.3x11.5	
2	JE01	3812-000219	WIRE-NO SHEATH CU;TCWA,300V,52mm(TAPING)	
2	JE02	3812-000219	WIRE-NO SHEATH CU;TCWA,300V,52mm(TAPING)	
2	JE04	3812-000219	WIRE-NO SHEATH CU;TCWA,300V,52mm(TAPING)	
2	RE05	3812-000219	WIRE-NO SHEATH CU;TCWA,300V,52mm(TAPING)	
2	JE03	3812-000219	WIRE-NO SHEATH CU;TCWA,300V,52mm(TAPING)	
2	PCB	AA41-10903B	PCB-A/V FRONT;S15A,1L,FR-1,245x245x1.6T,	
2		0203-001123	TAPE-PAPER;#53131,T0.15,W6.0,L200000,YEL	
2	LE01	2701-000158	INDUCTOR-AXIAL;22uH,10%,2.5x3.4mm	

Level	Loc. No.	Code No.	Description ; Specification	Remark
<b>ASSY CABINET FRONT</b>				
1		HA91-20008A	ASSY CABINET FRONT;21H1,SILVER	
2	KC+CF	6002-000515	SCREW-TAPPING;RH,+;2,M4,L15,ZPC(WHT),SWR	
2	SPK+CF	6002-000515	SCREW-TAPPING;RH,+;2,M4,L15,ZPC(WHT),SWR	
2		AA61-60003T	SPRING ETC-CS;-;SUS304,-;OD7,N5,OD7,-;	
2		AA64-70010B	BADGE-BRAND;-;AL,-;L50,-;SILVER,SS R20	
2		AA65-30105A	CLAMPER CORE-WIRE;ALL MODEL,NYLON 66,V2,	
2		AA64-02490B	KNOB POWER;20H1,HIPS,HB,SV-012P-II,GRY	
3		AA81-00106A	A/S-MARKING PAINT;P432U,DARK GREY,TPC	
3		HA83-00040A	LP-MARKING PAINT;METALLIC SILVER,SV-012	
3		HA83-00006A	LP-RESIN HIPS;BASF495F,NTR,HB	
3		HA83-00011A	LP-RESIN;M BATCH,WILSON 6007-GY-60,GRY	
2		AA64-40527A	WINDOW-REMOCON;-;21H1,-;PC,-;-	
2		AA64-40496A	INDICATOR-LED;-;ACRYL,-;-;-;-;-	
2		AA96-00852A	ASSY SPEAKER;160HM,3W,3001-001039,700/3	
3		3001-001039	SPEAKER;3W,160HM,90DB,180HZ	
3		AA39-20505M	LEAD CONNECTOR-ASSY;4PYSH025-04,REC,35	
2		AA64-02441B	KNOB CONTROL;20H1,HIPS,HB,SV-012P-II,GRY	
3		HA83-00040A	LP-MARKING PAINT;METALLIC SILVER,SV-012	
3		HA83-00006A	LP-RESIN HIPS;BASF495F,NTR,HB	
3		HA83-00011A	LP-RESIN;M BATCH,WILSON 6007-GY-60,GRY	
2		AA64-02381B	CABINET-FRONT;21H1,HIPS,HB,SV-012P-II,GR	
3		HA83-00040A	LP-MARKING PAINT;METALLIC SILVER,SV-012	
3		AA81-00106A	A/S-MARKING PAINT;P432U,DARK GREY,TPC	
3		HA83-00006A	LP-RESIN HIPS;BASF495F,NTR,HB	
3		HA83-00011A	LP-RESIN;M BATCH,WILSON 6007-GY-60,GRY	
2		HA83-00049A	LP-ADHESIVE-HM;12MM,NTR	

Level	Loc. No.	Code No.	Description ; Specification	Remark
<b>ASSY-CABINET(COM)</b>				
1		AA90-01067D	ASSY-CABINET(COM);VL-1823,21H1	
2	CB+CF	6002-000515	SCREW-TAPPING;RH,+;2,M4,L15,ZPC(WHT),SWR	

Level	Loc. No.	Code No.	Description ; Specification	Remark
2	PA+CF	6003-001024	SCREW-TAPTITE;RWH,+;B,M4,L12,ZPC(YEL),SW	
2	CRT+CF	AA60-10050Q	SCREW-ASSY;-;SWRCH18A,M5,L26.5,HH,+;WC,-	
2		HA64-02378B	CABINET-BACK;21H1,VL-1823,GRAY	
3		AA81-00096A	RESIN-A-VL-1823,G5433,A	
3		HA83-00011A	LP-RESIN;M BATCH,WILSON 6007-GY-60,GRY	
2		AA65-30008A	CLAMPER CORE-CORD;-;PE,HB,-;BLK,-	
2		AA65-30018A	CLAMPER CORE-WIRE;DONG-A,NYLON-66,-;-;-	
2		AA65-30009A	CLAMPER CORE-FBT;-;ABS,VO,-;BLK,-	
2	qms	HA83-00052A	LP-TAPE-INK;-;WIDTH 55 MM	
2	rating	HA83-00052A	LP-TAPE-INK;-;WIDTH 55 MM	
2		HA68-02179A	LABEL-RATING;58MM,53MM,WHITE	
2		HA68-02177B	LABEL-PQS;ALL,30MM,65MM,WHITE,AA68-02177	

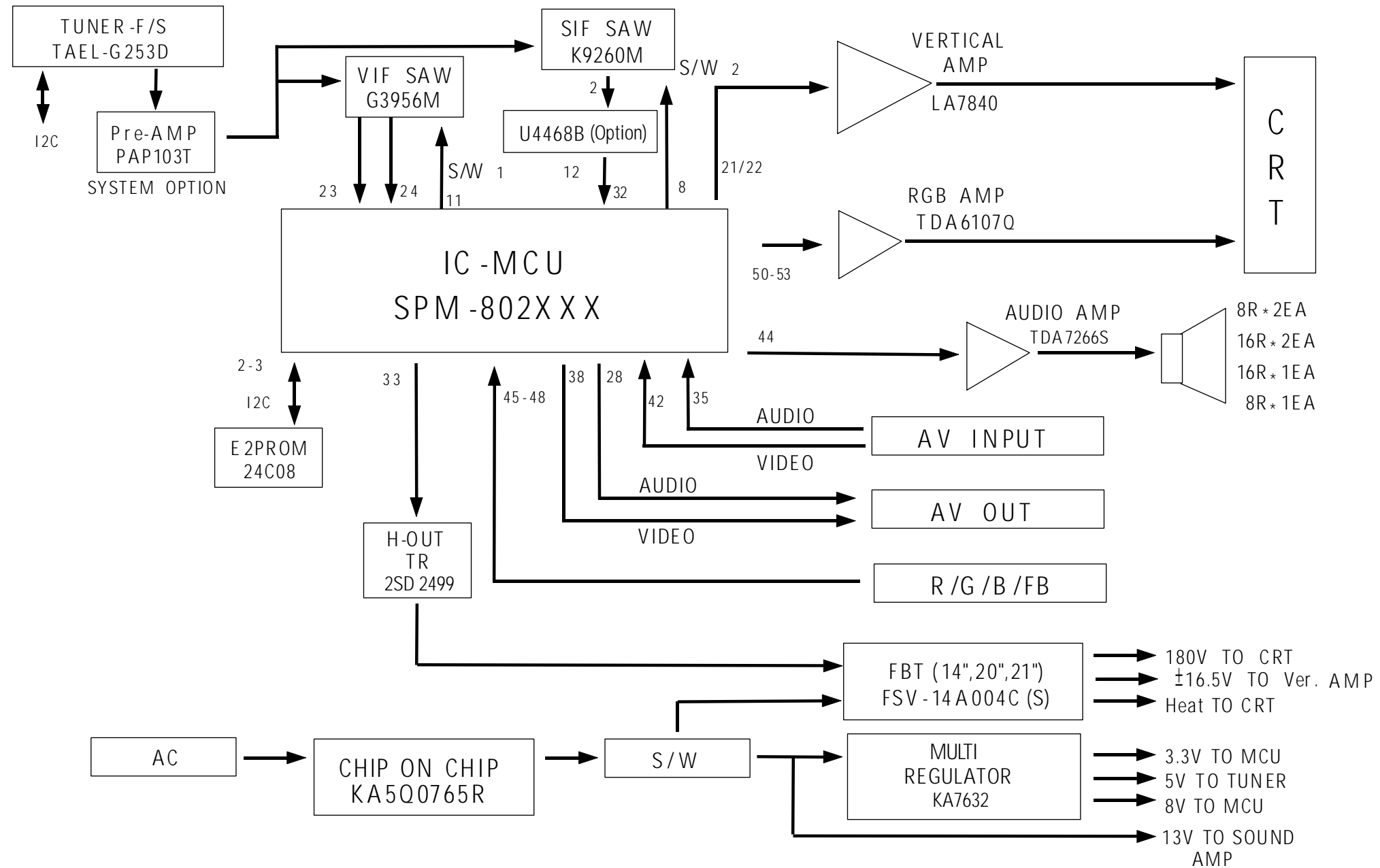
Level	Loc. No.	Code No.	Description ; Specification	Remark
<b>ASSY ACCESSORY</b>				
1		AA94-05817A	ASSY ACCESSORY;20-21,KS1A,XEH	
2		HA68-00320A	LABEL CAUTION;-;S15A,CEFTA,-;-;-	
2		HA68-00336B	CARD-WARRANTY;A/P100(G),A5,NEW VERSION,I	
2		4301-000120	BATTERY-MN;1.5V;-;AA,14.5x50mm,-	
2		HA83-00047A	LP-TAPEACETATE;T0.1MM,W20MM,L200MM	
2		HA69-00276A	BAG VINYL;HDPE,T0.025,L400,W240,-;W/O LO	

Level	Loc. No.	Code No.	Description ; Specification	Remark
<b>REMOCON</b>				
1		AA59-00104N	REMOCON;TM59,SIM806E;29,L/GRAY,TTX/MO	
<b>ASSY POWER CORD</b>				
△ 1		AA96-01126A	ASSY POWER CORD;DPAA39-10001G,CP2,H/C25	
2		AA39-10001G	CBF POWER CORD;-;KKP-419C,KLCE-2F,2.286m	
2		AA61-20284A	HOLDER;P-CORD,PP,-;-;-;BLK,VO,KE-002	

Level	Loc. No.	Code No.	Description ; Specification	Remark
<b>ASSY PACKING</b>				
1		AA90-01114C	ASSY PACKING;21H1	
2		AA60-40006A	PIN-STAPLE;AUTO,33X17.8X2.4,H18,33X17.8X	
2		HA69-20518B	CUSHION-SET;CT21H1,PS,C=0.02,-;-;-	
3		HA83-00058A	LP-RESIN-EPS;CHEIL SF-301V,WHT	
2		HA69-00009B	PACKING-CASE;21H1,SEH,CB D-1,YEL,-;-;-	
2		AA69-00744C	BAG-SHEET;-;HDPE PE FOAM,T0.015,W1050,H9	
2		HA68-02178A	LABEL-BOX;250MM,89MM,WHITE	
2		HA83-00046A	LP-TAPE INK;-;WIDTH 105 MM	

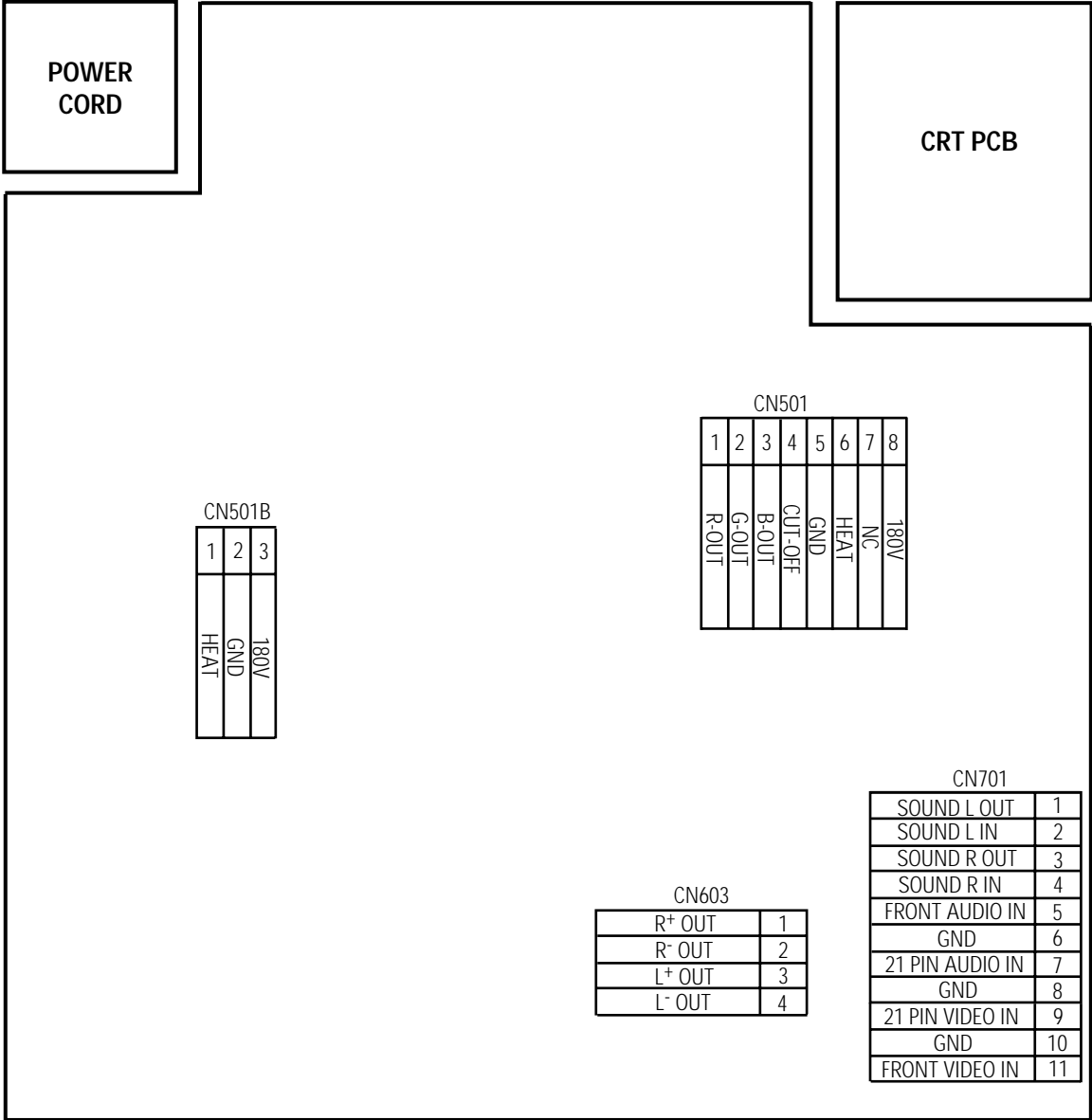
## 8. Block Diagram

### 8-1 KS1A



# 9. Wiring Diagram

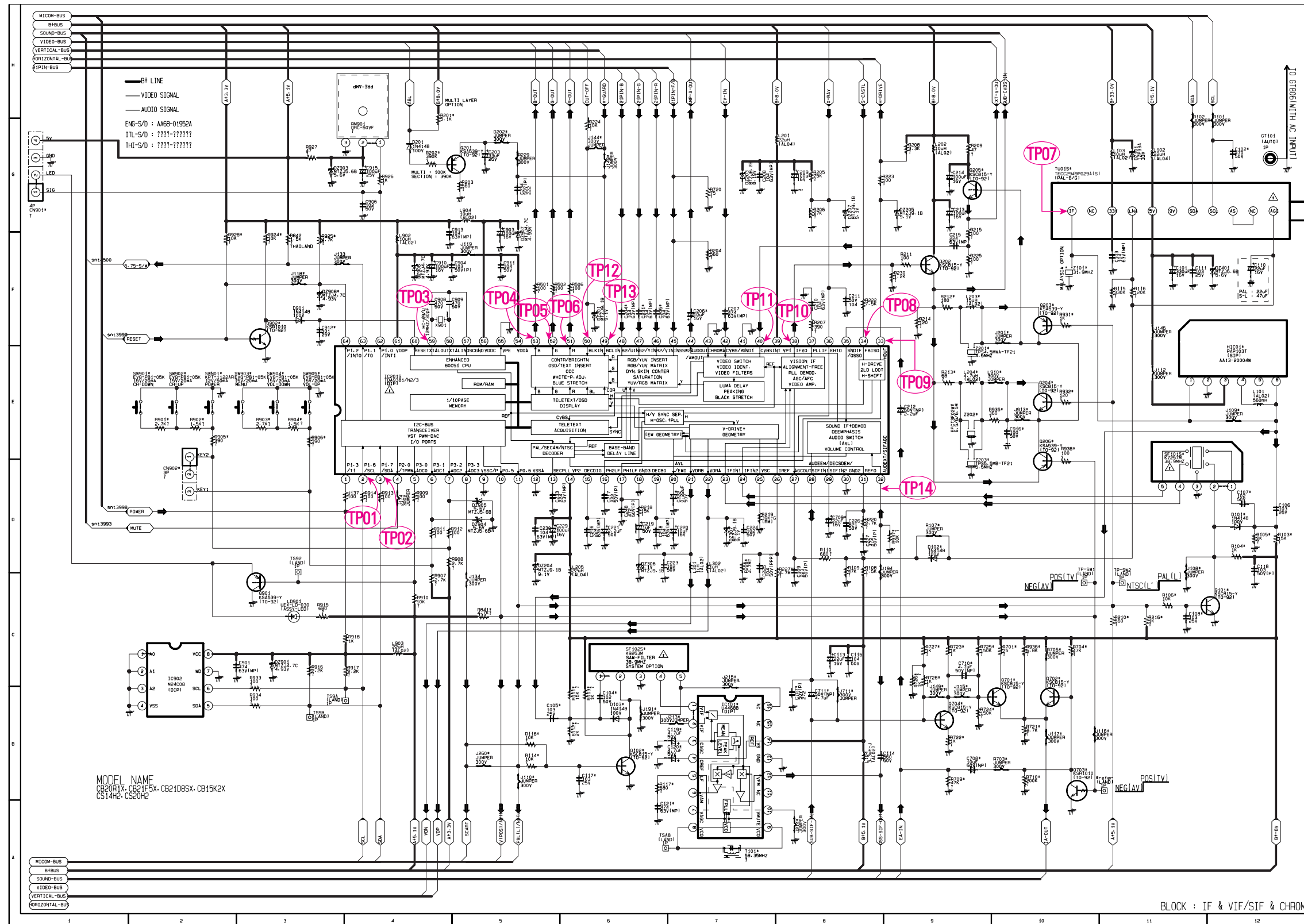
## 9-1 KS1A



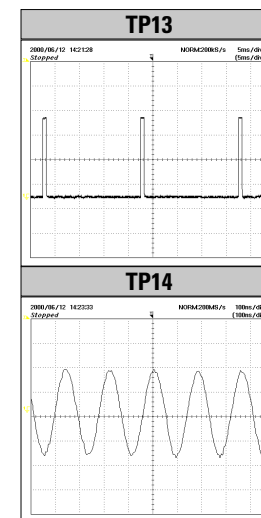
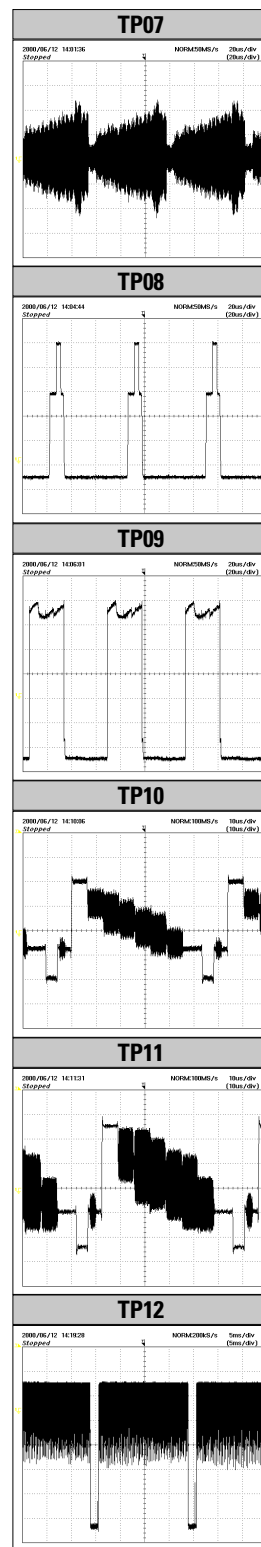
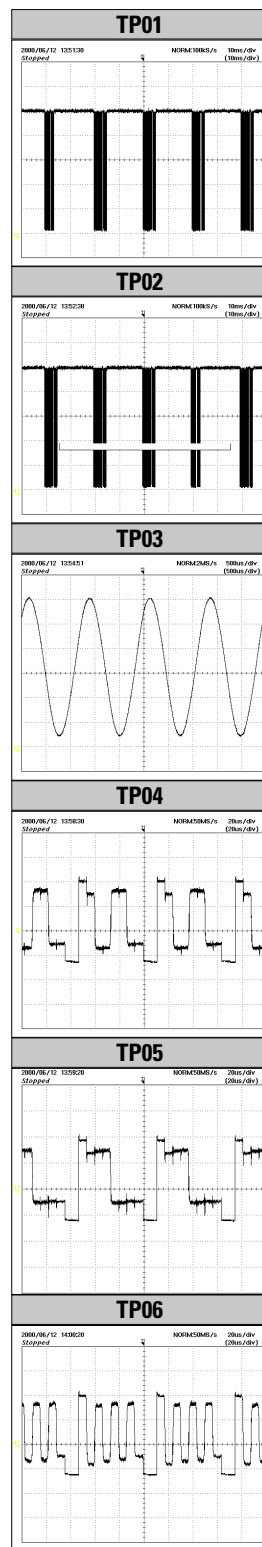
# MEMO

# 10. Schematic Diagrams

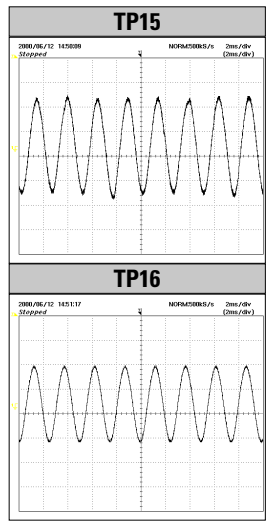
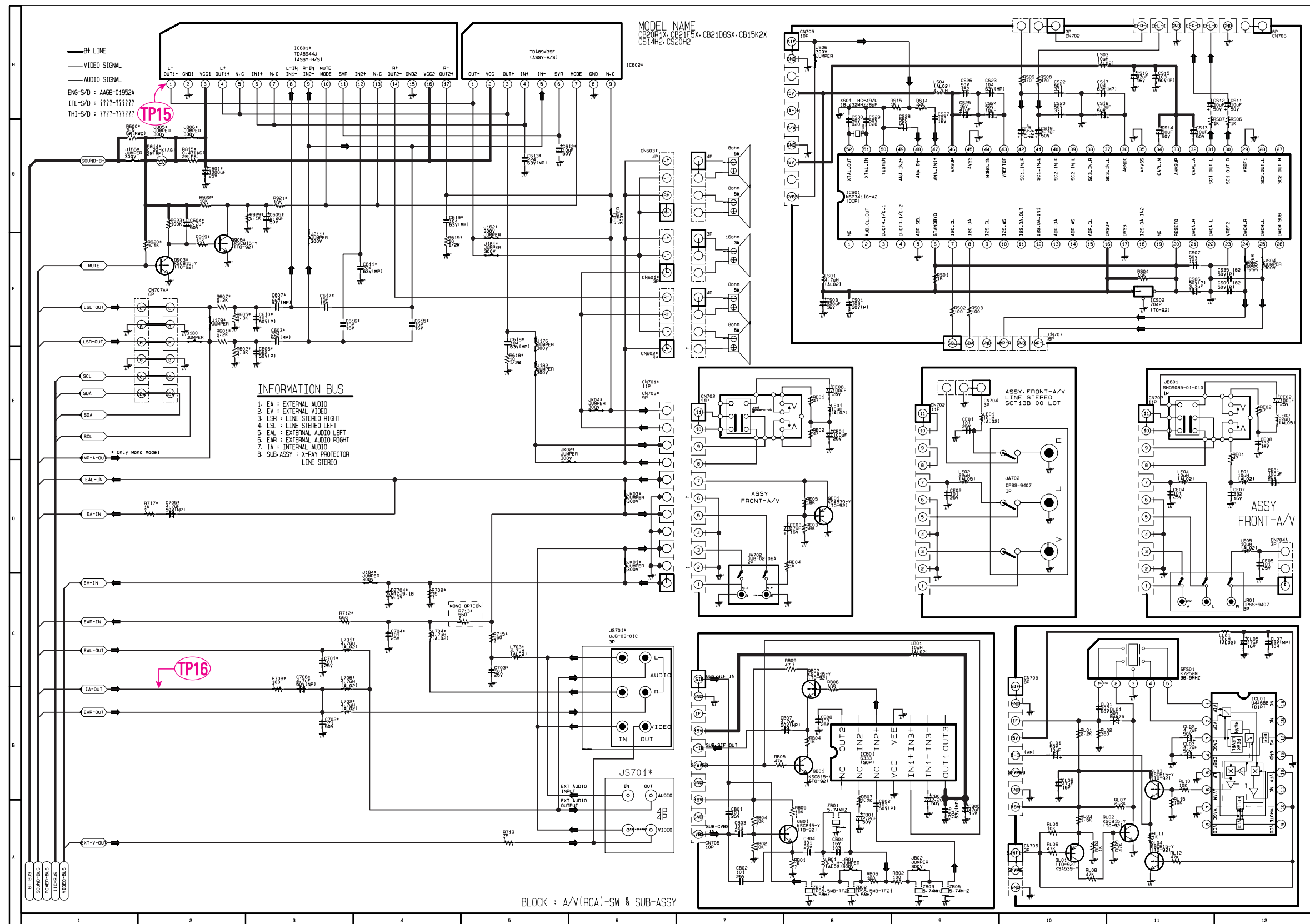
## 10-1 IF & VIF/SIF & CHROMA



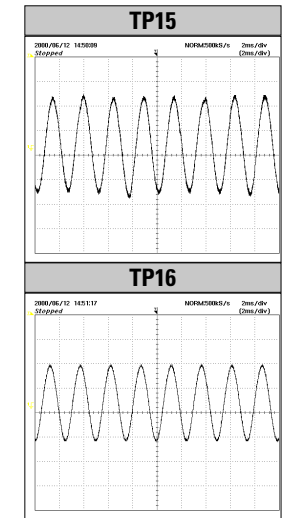
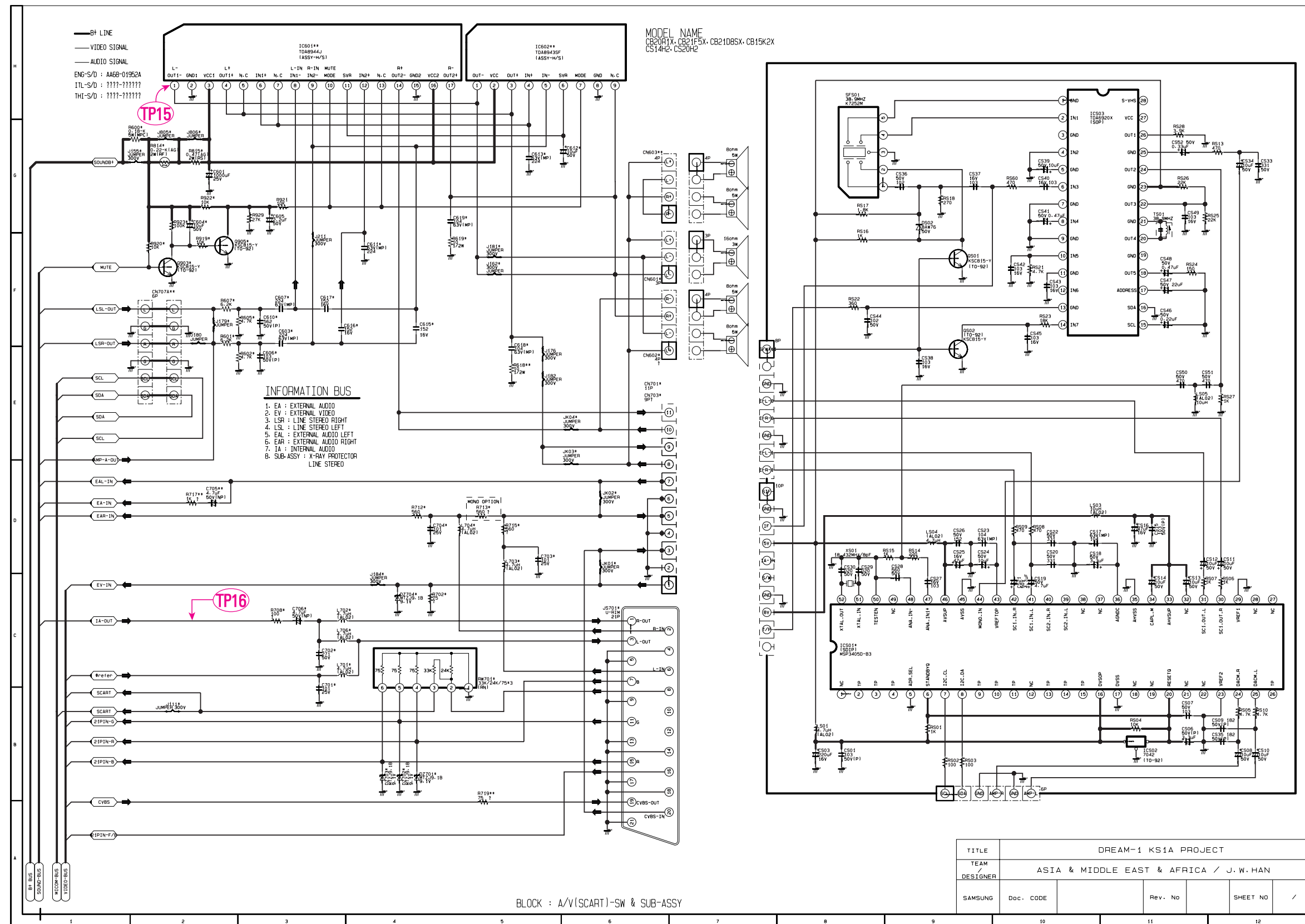
### 10-1-1 IF & VIF/SIF & CHROMA WAVEFORMS



10-2 A/V(RCA)-SW & SUB ASSY



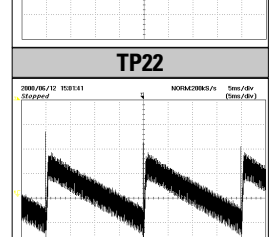
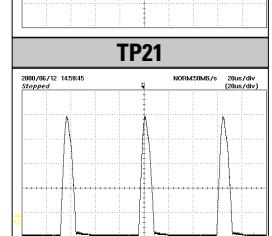
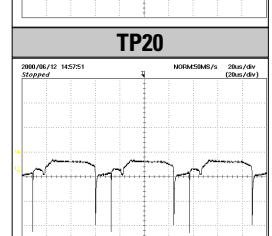
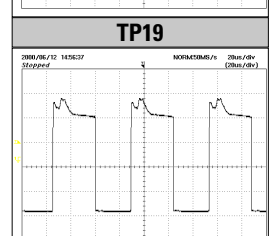
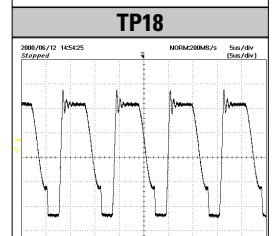
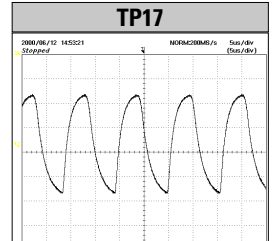
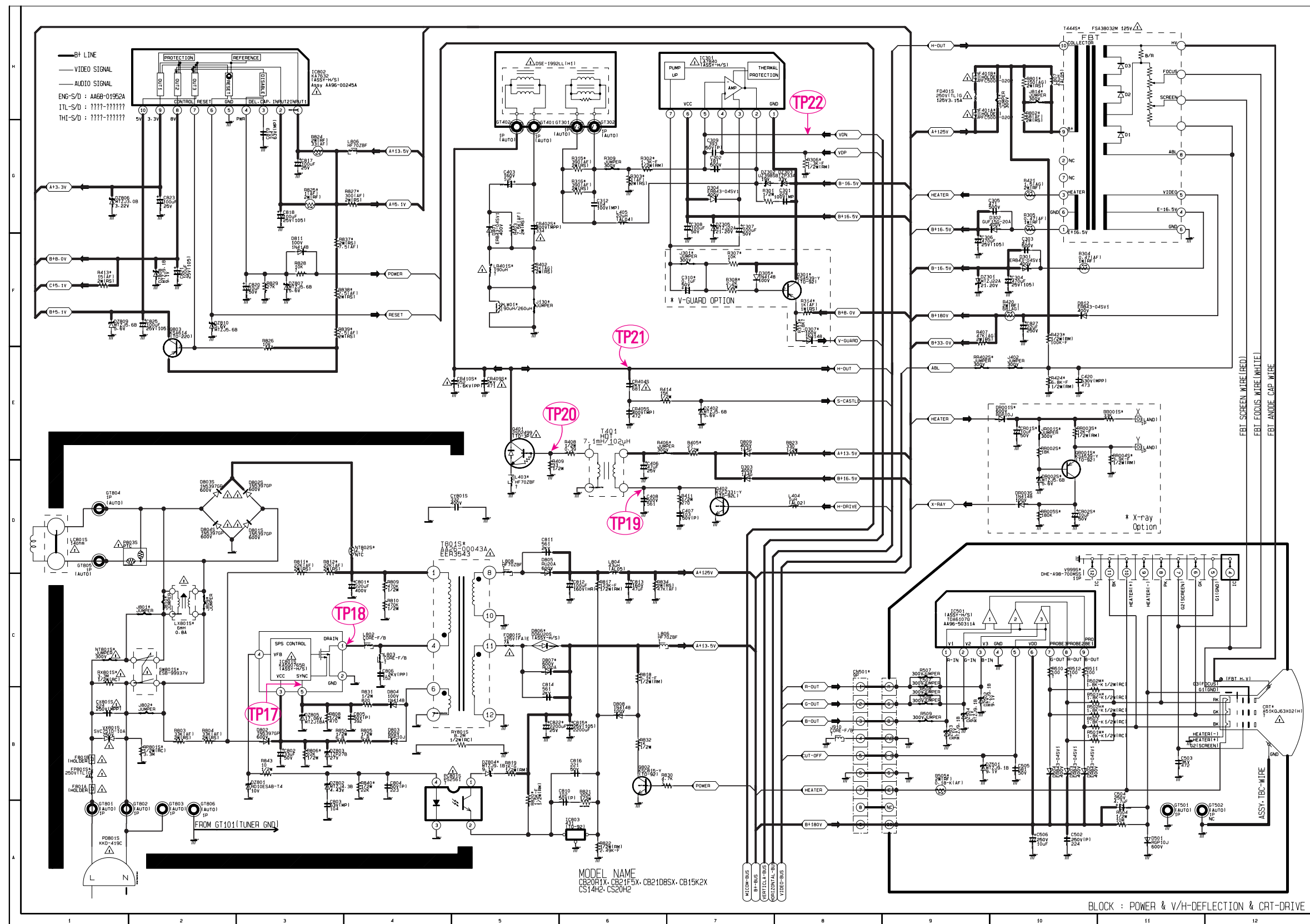
### 10-3 A/(SCART)-SW & SUB-ASSY



TITLE	DREAM-1 KS1A PROJECT			
TEAM / DESIGNER	ASIA & MIDDLE EAST & AFRICA / J. W. HAN			
SAMSUNG	Doc. CODE	Rev. No	SHEET NO /	



10-4 POWER & V/H-DEFLECTION & CRT





**ELECTRONICS**